

4

3

2

1

THIS DRAWING IS UNPUBLISHED.

RELEASED FOR PUBLICATION

20

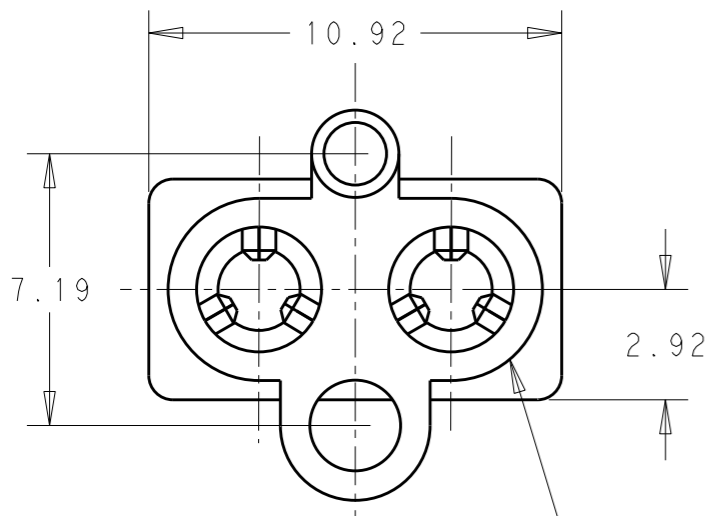
© COPYRIGHT 20 BY -

ALL RIGHTS RESERVED.

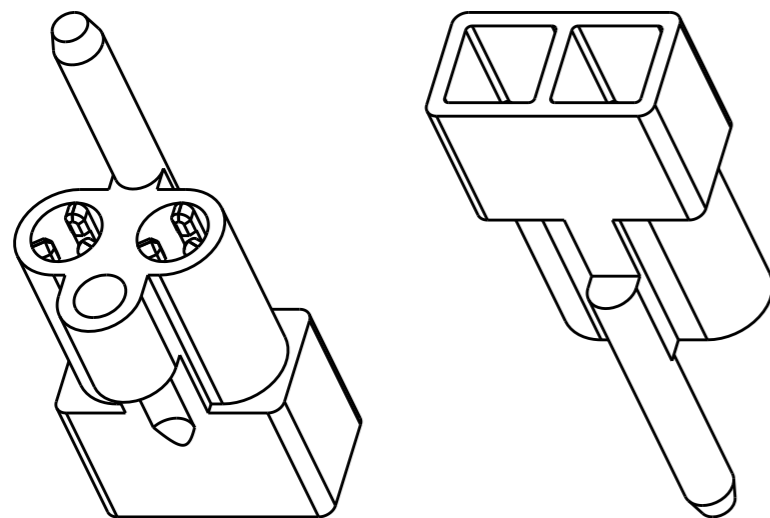
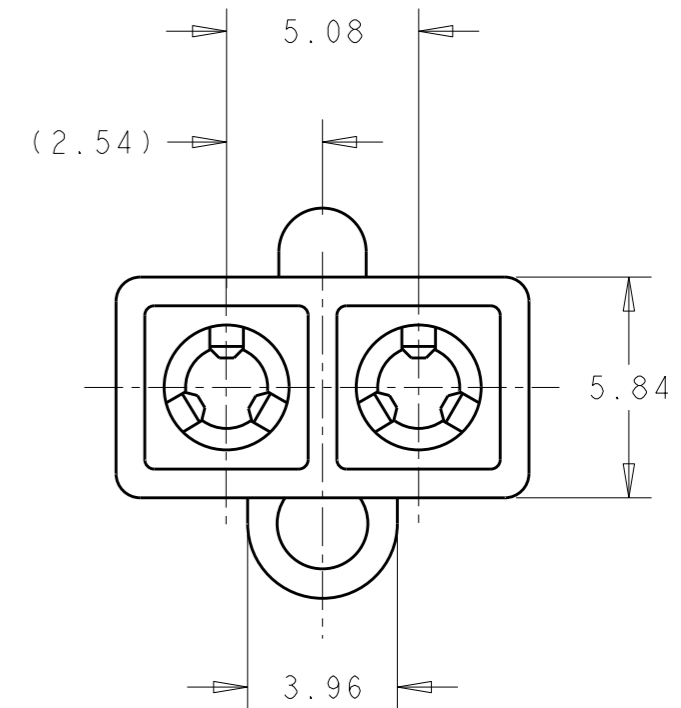
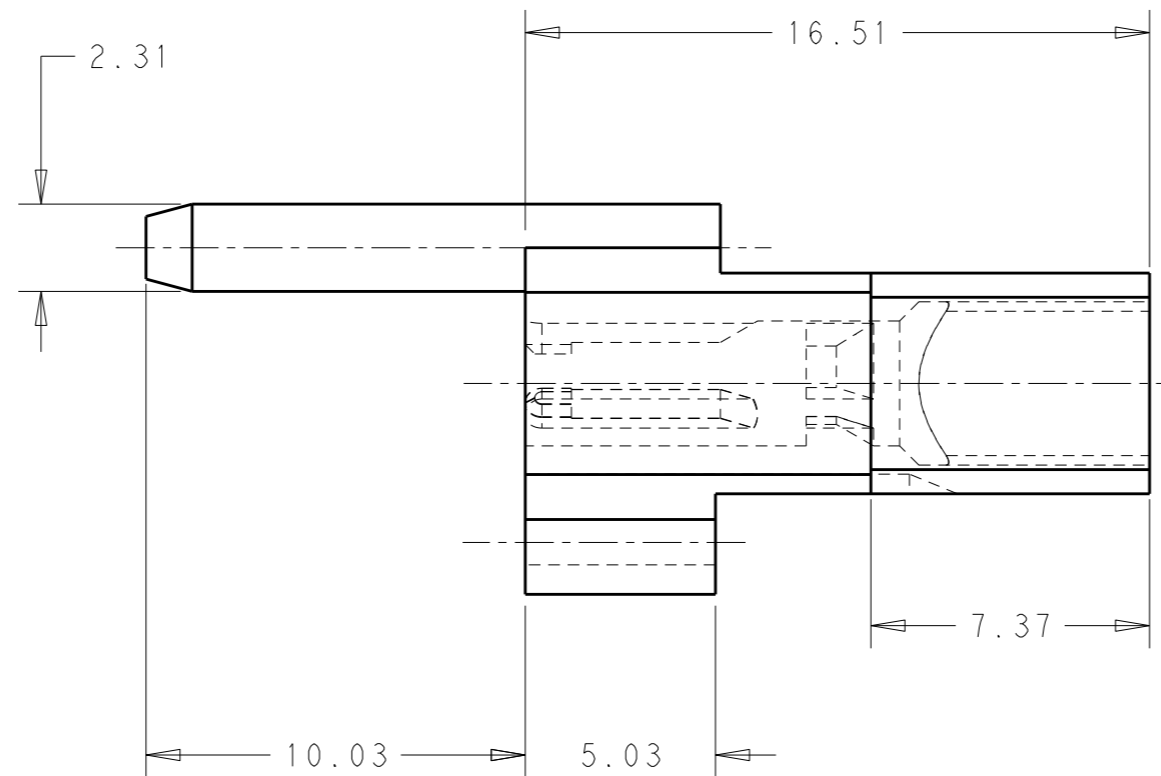
LOC AP DIST -

REVISIONS

P	LTR	DESCRIPTION	DATE	DWN	APVD
	AB	REVISED BY ECO-11-014179	07FEB2012	HC	WLS



2,41 RADIUS TYP.



NATURAL	PA - 6.6	152302-5
FINISH	MATERIAL	PART NUMBER

THIS DRAWING IS A CONTROLLED DOCUMENT.

DWN H.C.CANTERI 29APR2011
 CHK W.L.STEFANI 29APR2011
 APVD -

STE TE Connectivity

2 WAY SOCKET HOUSING FOR P.C. BOARD

DIMENSIONS: mm	TOLERANCES UNLESS OTHERWISE SPECIFIED:
	0 PLC ±-
	1 PLC ±0,4
	2 PLC ±0,4
	3 PLC ±-
	4 PLC ±-
	ANGLES ±1
MATERIAL -	FINISH -

PRODUCT SPEC	NAME
APPLICATION SPEC	SIZE
WEIGHT	CAGE CODE
CUSTOMER DRAWING	DRAWING NO

RESTRICTED TO	SCALE	SHEET	OF	REV
-	5/1	1	1	AB