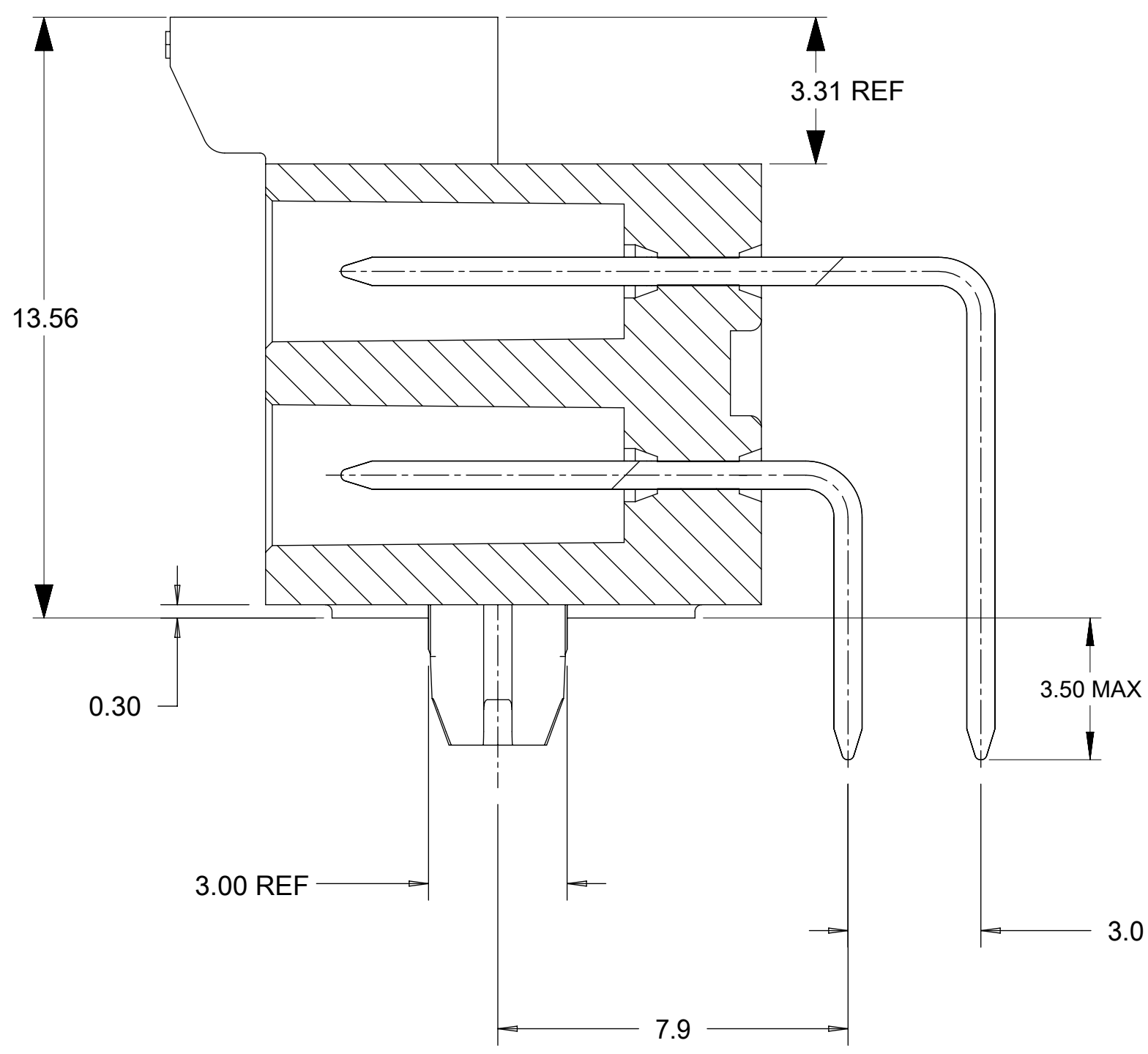
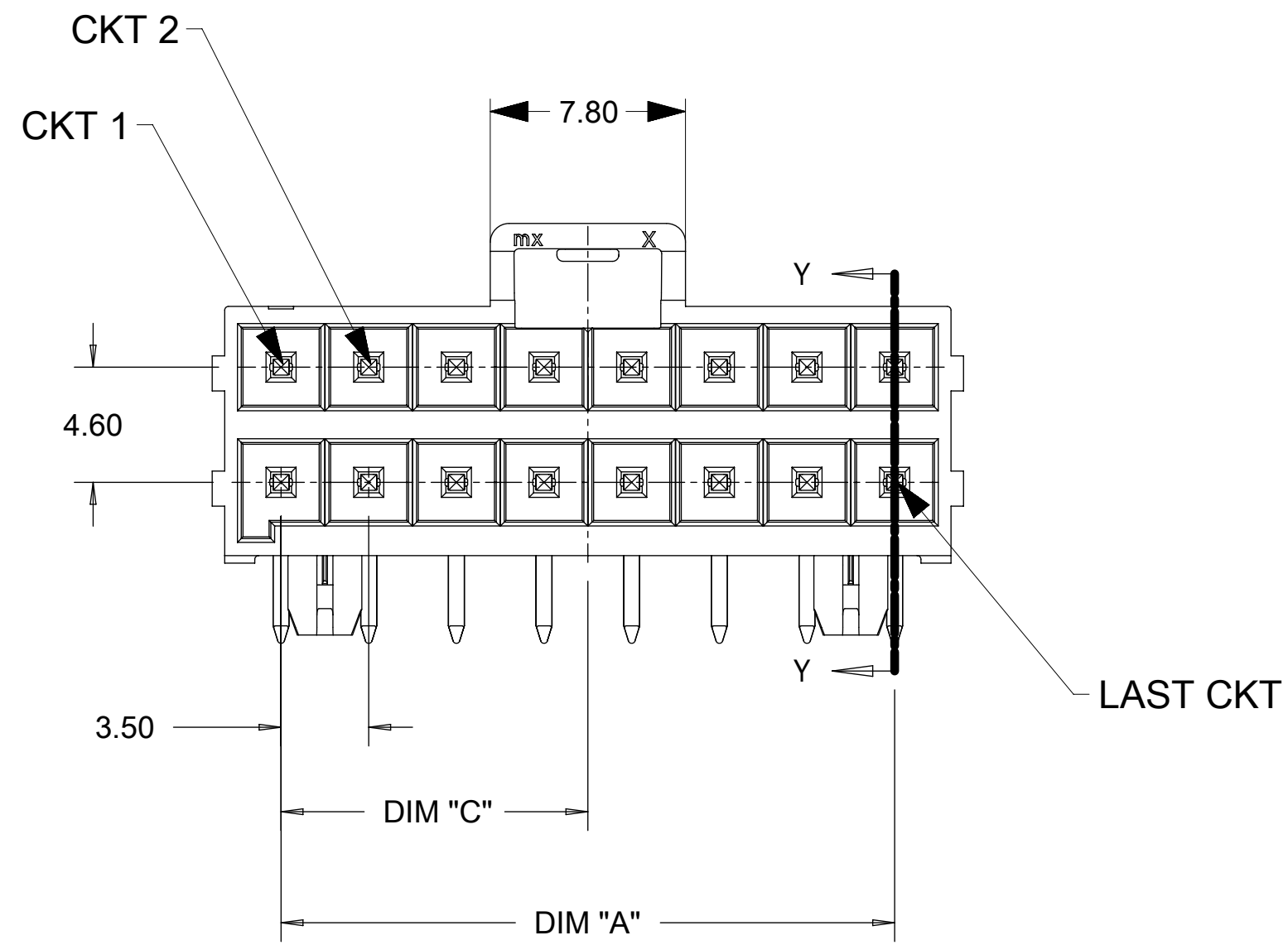
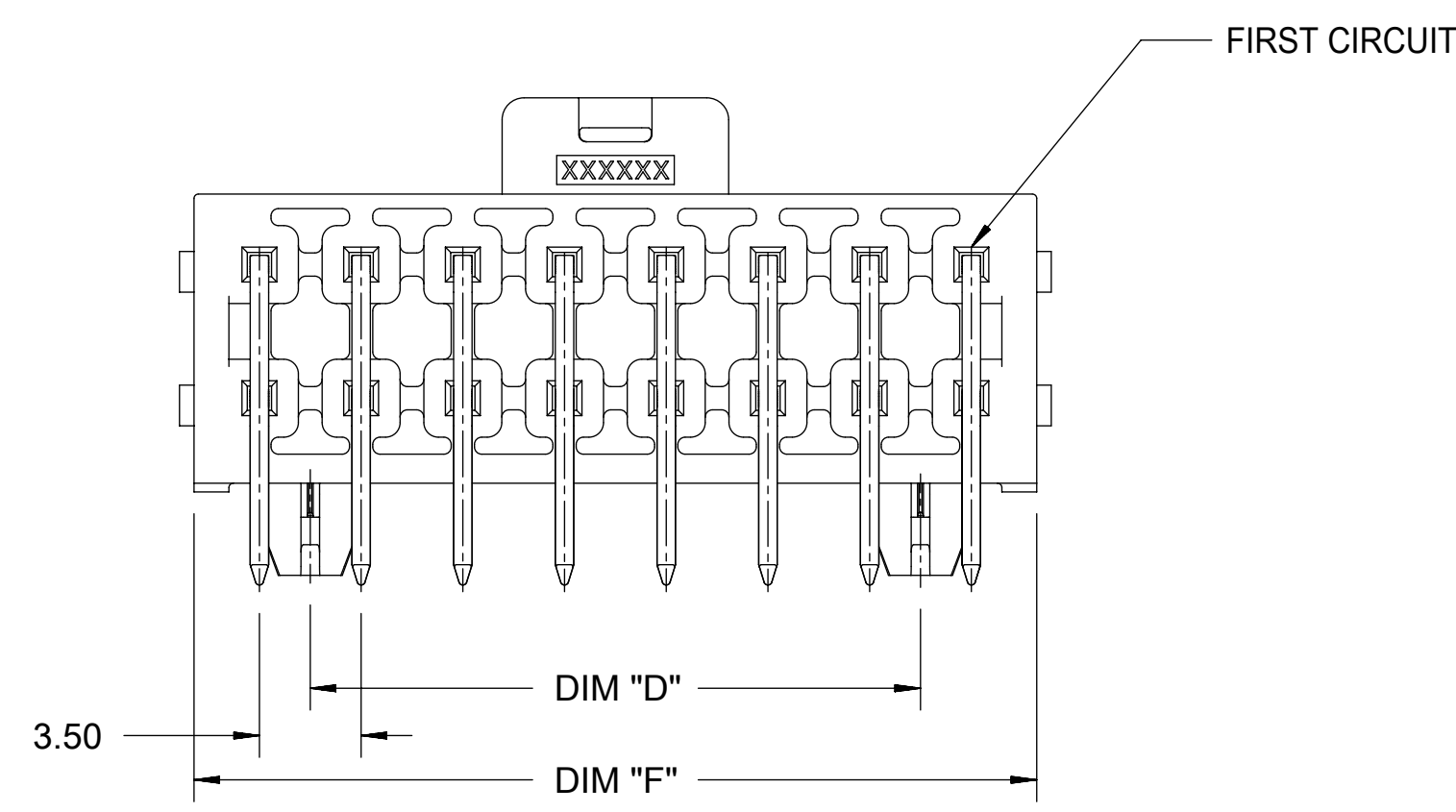


FIRST CIRCUIT MARK
(NOT SHOWING ON 4
AND 6 CIRCUITS SERIES)

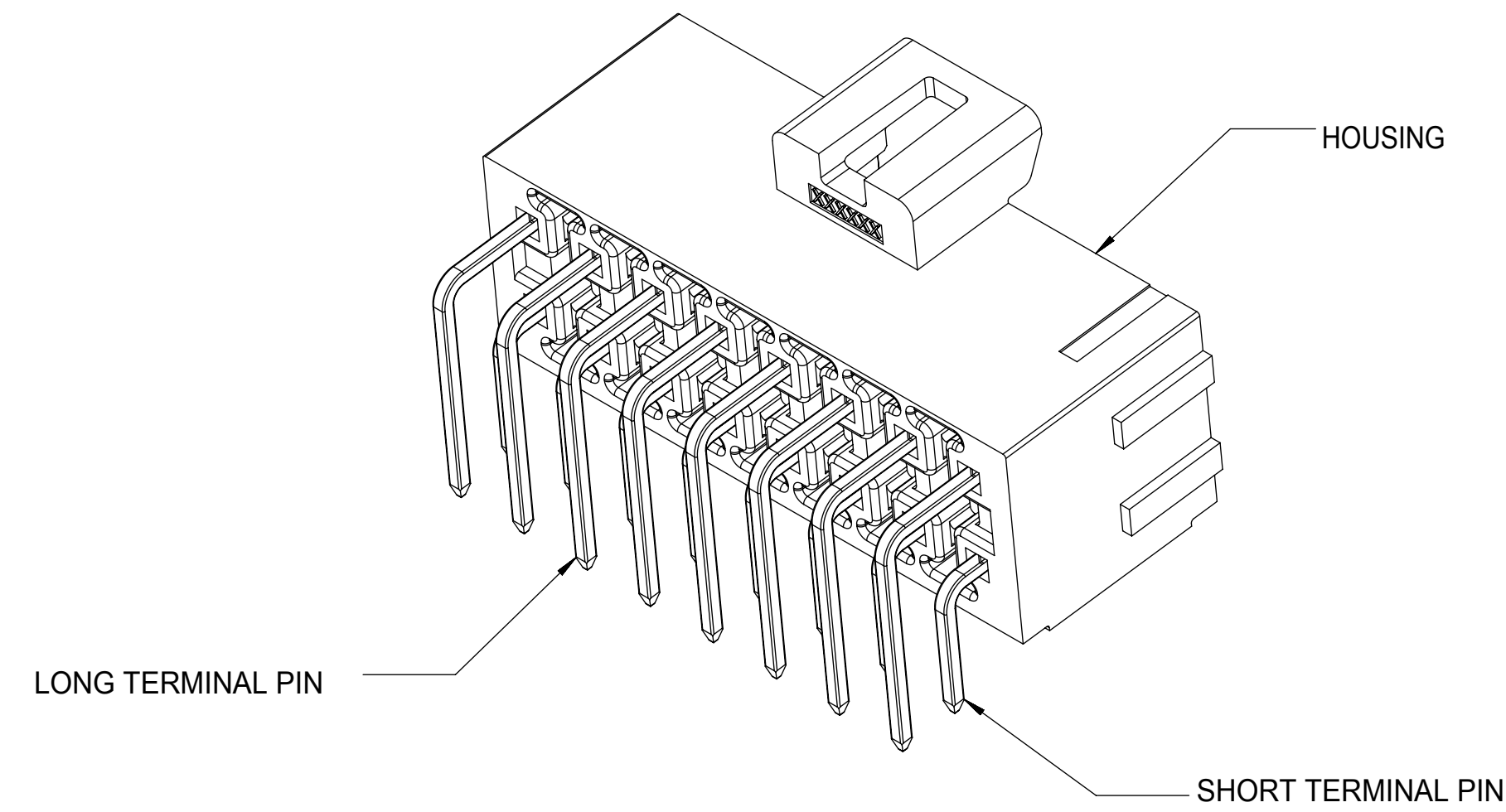
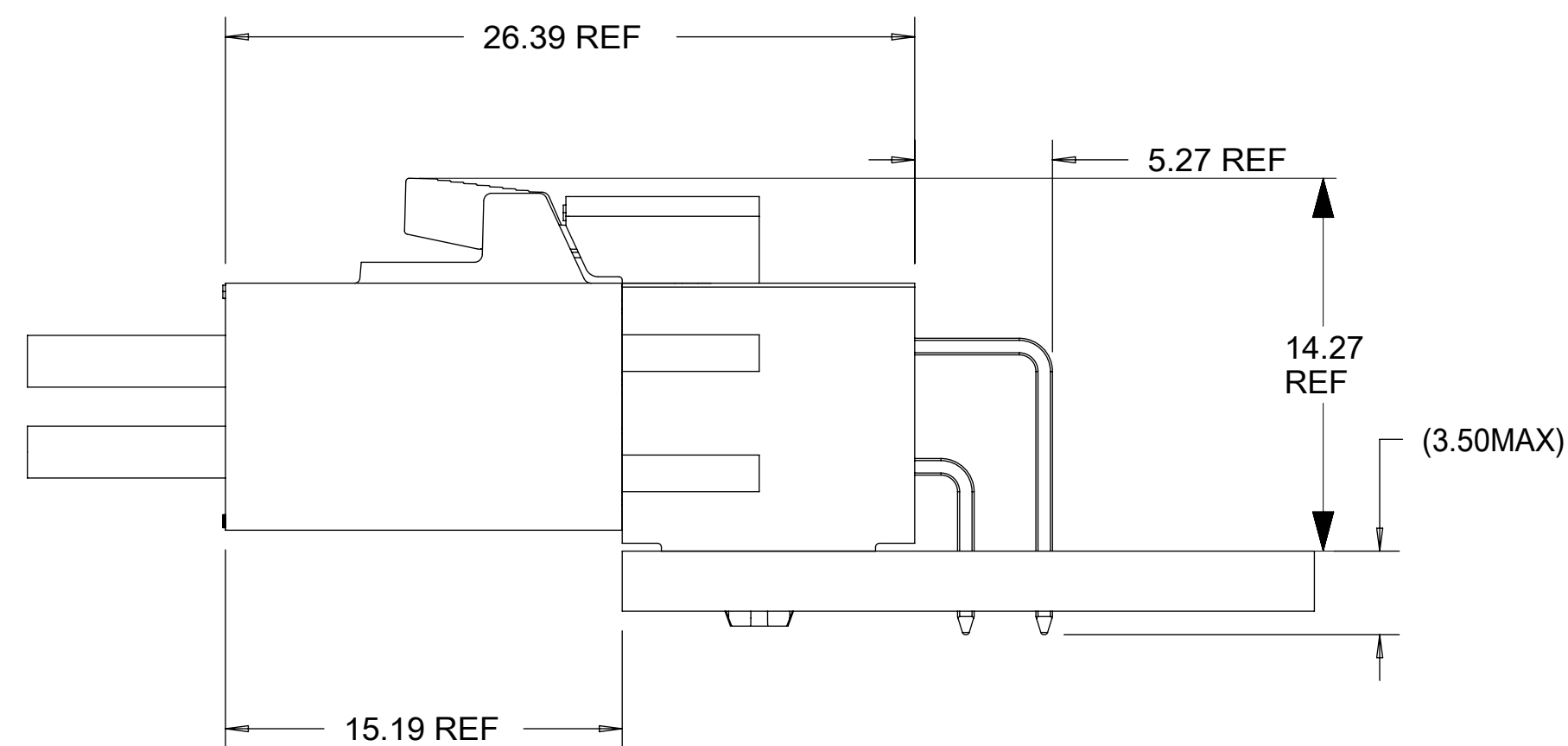


SECTION Y-Y
SCALE 8:1



NOTES:

1. MATERIAL :
HOUSING
OPTION 1: LCP BLACK, UL94 V-0
OPTION 2: LCP NATURAL, UL94 V-0
TERMINAL: COPPER ALLOY
2. PLATING FINISH:
OPTION 1 - 1.5µm(60µin)-2.5µm(100µin) TIN OVER
1.25µm(50µin)-2.5µm(100µin) NICKEL OVERALL
OPTION 2 - 0.35µm(15µin) GOLD CONTACT AREA,
1.5µm(60µin)-2.5µm(100µin) TIN TAIL AREA OVER
1.25µm(50µin)-2.5µm(100µin) NICKEL OVERALL
OPTION 3 - 0.70µm(30µin) GOLD CONTACT AREA,
1.5µm(60µin)-2.5µm(100µin) TIN TAIL AREA OVER
1.25µm(50µin)-2.5µm(100µin) NICKEL OVERALL
3. PARTS TO BE PACKAGED PER 1723161114-PK.
4. PRODUCT SPECIFICATION PS-172323-0001
5. PART MATES WITH MOLEX RECEPTACLE HOUSING
172258 AND 172262
6. PART CONFORMS TO CLASS "C" REQUIREMENTS OF SPECIFICATION
PS-45499-002 WITH 0.13 MM MAXIMUM FLASH ALLOWED IN CORE
HOLES AND FRONT SURFACE.
7. DISCOLORATION IN THE BANDOLIER AREA OF THE PIN IS
INHERENT TO THE PLATING PROCESS AND IS DUE TO THE MASKING
EFFECT OF THE CARRIER. THIS DISCOLORATION IS IN A NON-FUNCTIONAL
AREA OF THE PIN AND WILL NOT AFFECT THE PERFORMANCE OF THE
HEADER ASSEMBLY.
8. ASSEMBLY SPECIFICATION: AS-172323-0001.



| | | | |
|--|---|------------------------|--|
| FUNCTIONAL SYMBOLS | THIS DRAWING CONTAINS INFORMATION THAT IS PROPRIETARY TO MOLEX ELECTRONIC TECHNOLOGIES, LLC AND SHOULD NOT BE USED WITHOUT WRITTEN PERMISSION | | |
| | DIMENSION UNITS | SCALE | CURRENT REV DESC: OBSOLETE PART NUMBER AS PER PCN#509988 |
| $F_A = 0$ | mm | 1:1 | |
| $F_C = 0$ | GENERAL TOLERANCES (UNLESS SPECIFIED) | | |
| $F_P = 0$ | ANGULAR TOL | ± ° | |
| DIVISIONAL SYMBOLS | 4 PLACES | ± | |
| | 3 PLACES | ± | |
| | 2 PLACES | ± 0.25 | |
| | 1 PLACE | ± 0.5 | |
| | 0 PLACES | ± | |
| DRAFT WHERE APPLICABLE MUST REMAIN WITHIN DIMENSIONS | | THIRD ANGLE PROJECTION | DRAWING SERIES MATERIAL NUMBER CUSTOMER SHEET NUMBER |
| | | | D-SIZE 172316 GENERAL MARKET 1 OF 3 |

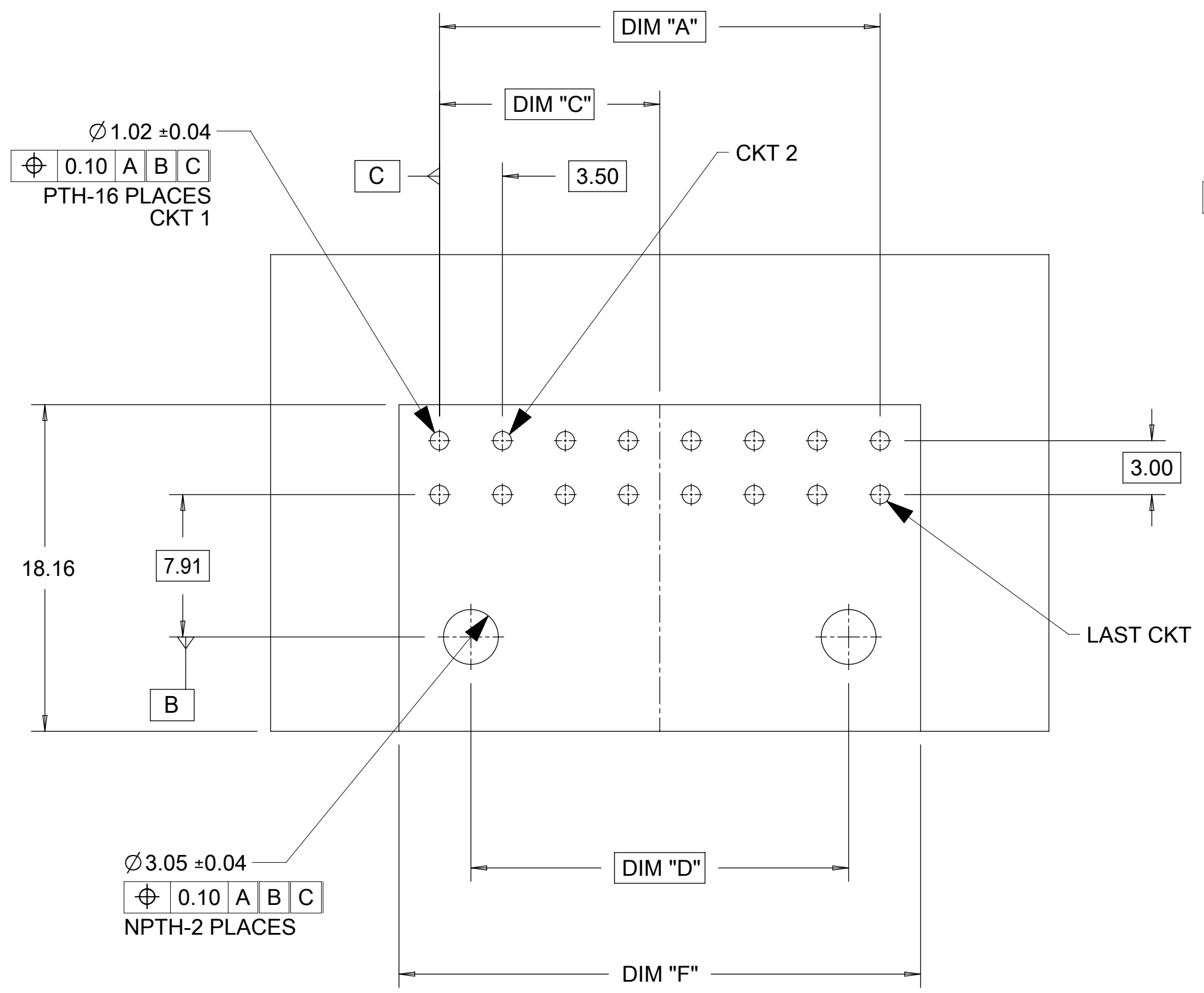
molex

ULTRA-FIT R/A HEADER
4-16 CKTS DUAL ROW

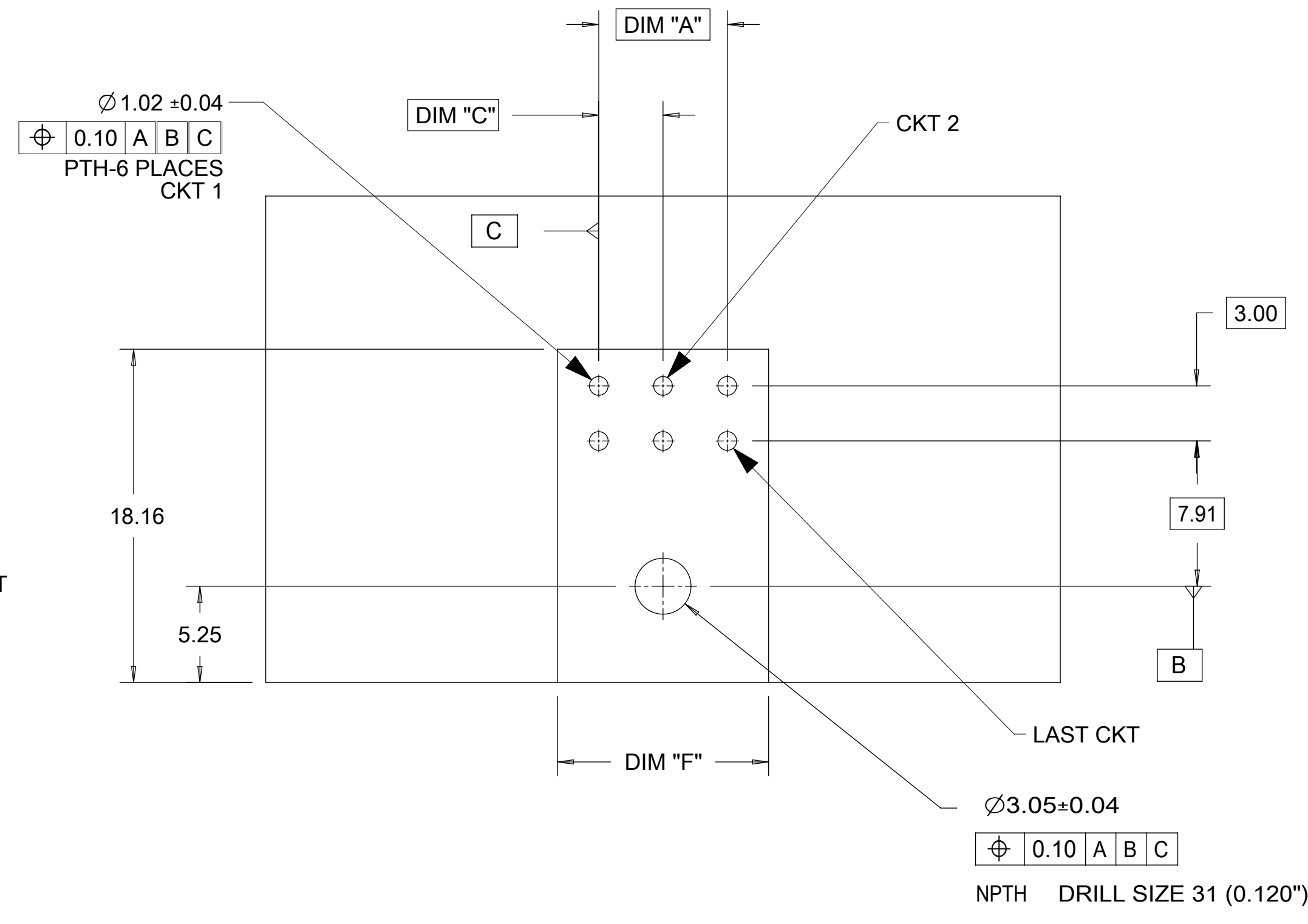
PRODUCT CUSTOMER DRAWING

| | | | |
|-----------------|----------|----------|----------|
| DOCUMENT NUMBER | DOC TYPE | DOC PART | REVISION |
| SD-172316-1000 | PSD | 000 | F6 |

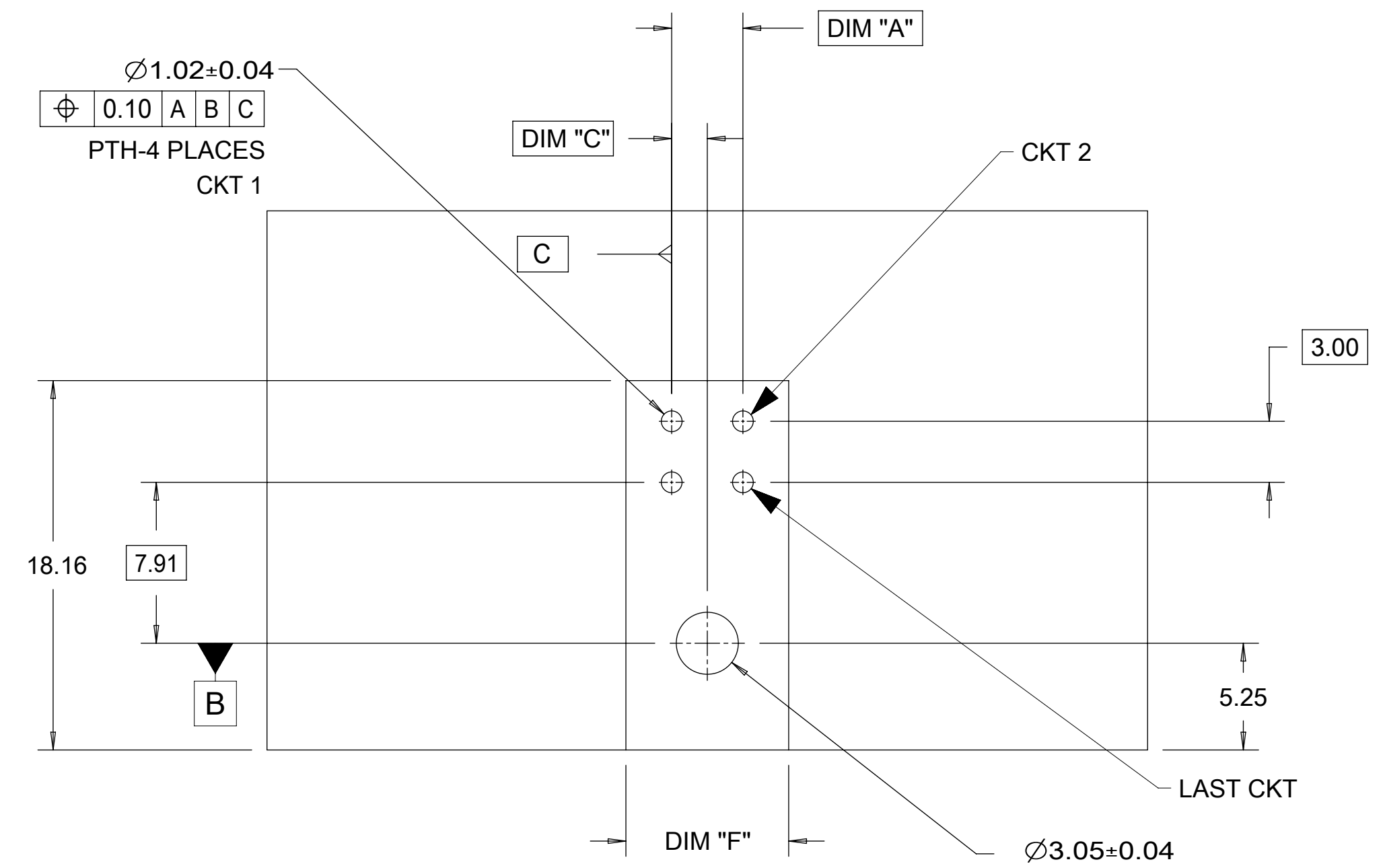
| | | | | |
|-----------------|----|--------------|------------|----------|
| DOCUMENT STATUS | P1 | RELEASE DATE | 2022/05/24 | 10:34:34 |
|-----------------|----|--------------|------------|----------|



PCB LAYOUT COMPONENT SIDE
RECOMENDED PCB THICKNESS 1.60MM-2.40MM
Top2

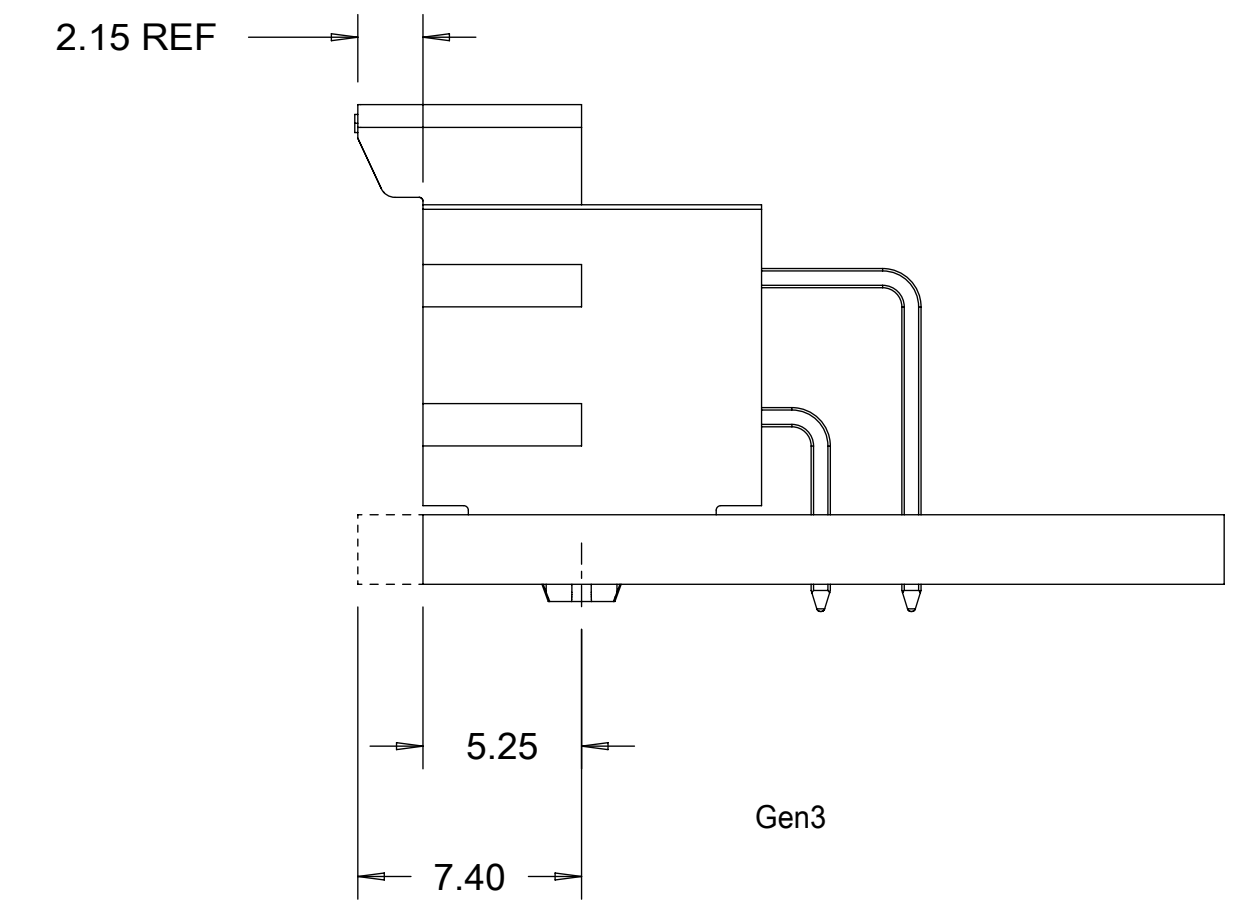


PCB LAYOUT 3 CIRCUIT COMPONENT SIDE
RECOMENDED PCB THICKNESS 1.60MM-2.40MM
Right1



PCB LAYOUT 2 CIRCUIT COMPONENT SIDE
RECOMENDED PCB THICKNESS 1.60MM-2.40MM
Right2

NOTE: DATUM -A- IS ON COMPONENT SIDE PCB



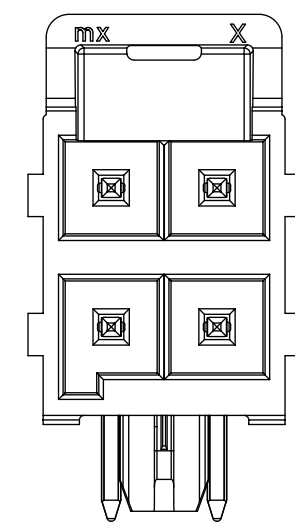
OPTION 1: LATCH FLUSH WITH PCB EDGE
OPTION 2: HOUSING BODY FLUSH WITH PCB EDGE

| TIN PLATING | | | | | | | |
|-------------|-------|--------------|------------|-------|-------|-------|-------|
| PART NO. | COLOR | CIRCUIT SIZE | KEY OPTION | DIM A | DIM F | DIM C | DIM D |
| 172316-1104 | BLACK | 4 | KEY A | 3.50 | 8.00 | 1.75 | 0.00 |
| 172316-1106 | BLACK | 6 | KEY A | 7.00 | 11.50 | 3.50 | 0.00 |
| 172316-1108 | BLACK | 8 | KEY A | 10.50 | 15.00 | 5.25 | 7.00 |
| 172316-1110 | BLACK | 10 | KEY A | 14.00 | 18.50 | 7.00 | 10.50 |
| 172316-1112 | BLACK | 12 | KEY A | 17.50 | 22.00 | 8.75 | 14.00 |
| 172316-1114 | BLACK | 14 | KEY A | 21.00 | 25.50 | 10.50 | 17.50 |
| 172316-1116 | BLACK | 16 | KEY A | 24.50 | 29.00 | 12.25 | 21.00 |

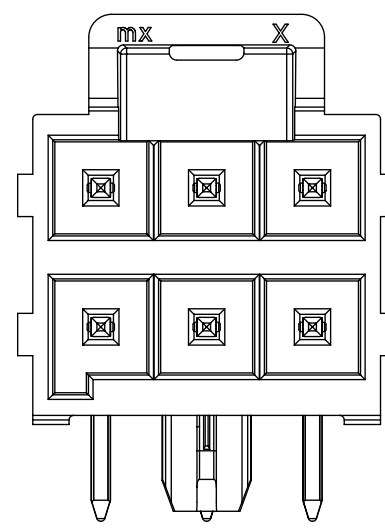
| 15 MICROINCH GOLD PLATING | | | | | | | |
|---------------------------|---------|--------------|------------|-------|-------|-------|-------|
| PART NO. | COLOR | CIRCUIT SIZE | KEY OPTION | DIM A | DIM F | DIM C | DIM D |
| 172316-1204 | BLACK | 4 | KEY A | 3.50 | 8.00 | 1.75 | 0.00 |
| 172316-1206 | BLACK | 6 | KEY A | 7.00 | 11.50 | 3.50 | 0.00 |
| 172316-1208 | BLACK | 8 | KEY A | 10.50 | 15.00 | 5.25 | 7.00 |
| 172316-1210 | BLACK | 10 | KEY A | 14.00 | 18.50 | 7.00 | 10.50 |
| 172316-1212 | BLACK | 12 | KEY A | 17.50 | 22.00 | 8.75 | 14.00 |
| 172316-1214 | BLACK | 14 | KEY A | 21.00 | 25.50 | 10.50 | 17.50 |
| 172316-1216 | BLACK | 16 | KEY A | 24.50 | 29.00 | 12.25 | 21.00 |
| 172316-2206 | NATURAL | 6 | KEY B | 7.00 | 11.50 | 3.50 | 0.00 |
| 172316-2210 | NATURAL | 10 | KEY B | 14.00 | 18.50 | 7.00 | 10.50 |
| 172316-2216 | NATURAL | 16 | KEY B | 24.50 | 29.00 | 12.25 | 21.00 |

| 30 MICROINCH GOLD PLATING | | | | | | | |
|---------------------------|---------|--------------|------------|-------|-------|-------|-------|
| PART NO. | COLOR | CIRCUIT SIZE | KEY OPTION | DIM A | DIM F | DIM C | DIM D |
| 172316-1304 | BLACK | 4 | KEY A | 3.50 | 8.00 | 1.75 | 0.00 |
| 172316-1306 | BLACK | 6 | KEY A | 7.00 | 11.50 | 3.50 | 0.00 |
| 172316-1308 | BLACK | 8 | KEY A | 10.50 | 15.00 | 5.25 | 7.00 |
| 172316-1310 | BLACK | 10 | KEY A | 14.00 | 18.50 | 7.00 | 10.50 |
| 172316-1312 | BLACK | 12 | KEY A | 17.50 | 22.00 | 8.75 | 14.00 |
| 172316-1314 | BLACK | 14 | KEY A | 21.00 | 25.50 | 10.50 | 17.50 |
| 172316-1316 | BLACK | 16 | KEY A | 24.50 | 29.00 | 12.25 | 21.00 |
| 172316-2304 | NATURAL | 4 | KEY B | 3.50 | 8.00 | 1.75 | 0.00 |
| 172316-2310 | NATURAL | 10 | KEY B | 14.00 | 18.50 | 7.00 | 10.50 |
| 172316-2316 | NATURAL | 16 | KEY B | 24.50 | 29.00 | 12.25 | 21.00 |

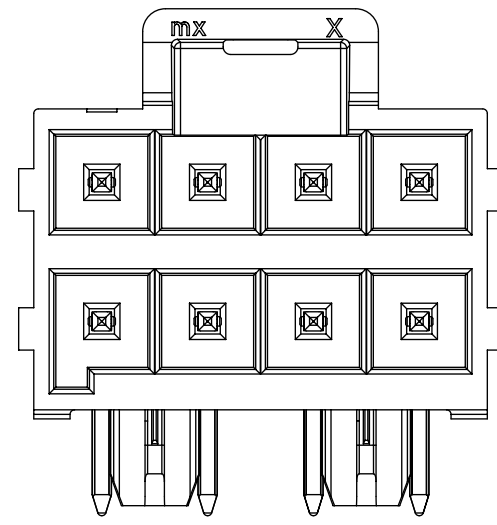
| | | | | |
|---|---|---------------------------------------|---|-----------------------------------|
| FUNCTIONAL SYMBOLS $F_A = 0$ $F_C = 0$ $F_P = 0$ | THIS DRAWING CONTAINS INFORMATION THAT IS PROPRIETARY TO MOLEX ELECTRONIC TECHNOLOGIES, LLC AND SHOULD NOT BE USED WITHOUT WRITTEN PERMISSION | SCALE 1:1 | CURRENT REV DESC: OBSOLETE PART NUMBER AS PER PCN#509988 | |
| | DIMENSION UNITS mm | GENERAL TOLERANCES (UNLESS SPECIFIED) | EC NO: 704776 | |
| | ANGULAR TOL ± ° | 4 PLACES ± | DRWN: SUGEEB | 2022/04/06 |
| | 3 PLACES ± | 2 PLACES ± 0.25 | CHK'D: GGA | 2022/05/24 |
| DIVISIONAL SYMBOLS | 1 PLACE ± 0.5 | APPR: GGA | 2022/05/24 | INITIAL REVISION: |
| 0 PLACES ± | DRAFT WHERE APPLICABLE MUST REMAIN WITHIN DIMENSIONS | THIRD ANGLE PROJECTION | DRWN: DROSCA | 2014/03/06 |
| | | | APPR: JCOMERCI | 2014/04/24 |
| | | DRAWING D-SIZE | SERIES 172316 | MATERIAL NUMBER GENERAL MARKET |
| | | | | DOC TYPE PSD |
| | | | | DOC PART 000 |
| | | | | REVISION F6 |
| | | | | DOCUMENT NUMBER SD-172316-1000 |
| | | | | CUSTOMER GENERAL MARKET |
| | | | | SHEET NUMBER 2 OF 3 |



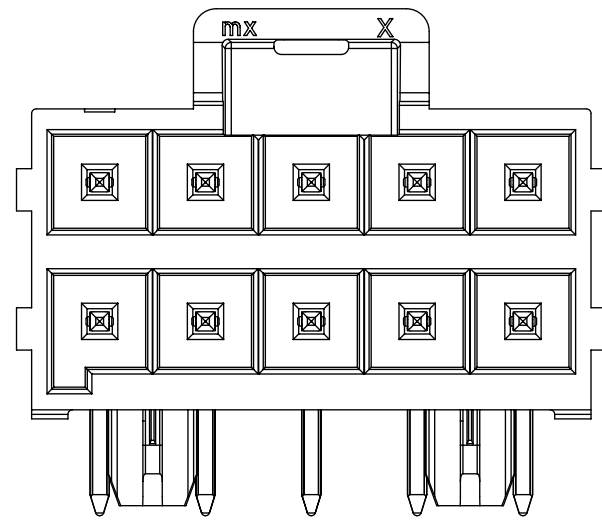
4 CKT



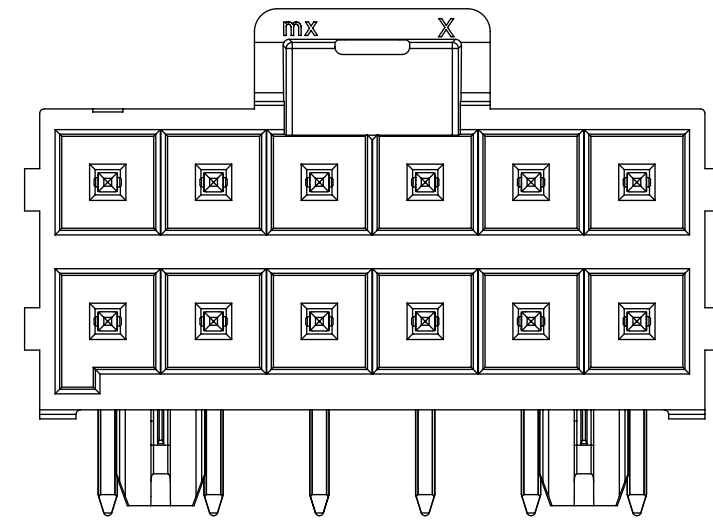
6 CKT



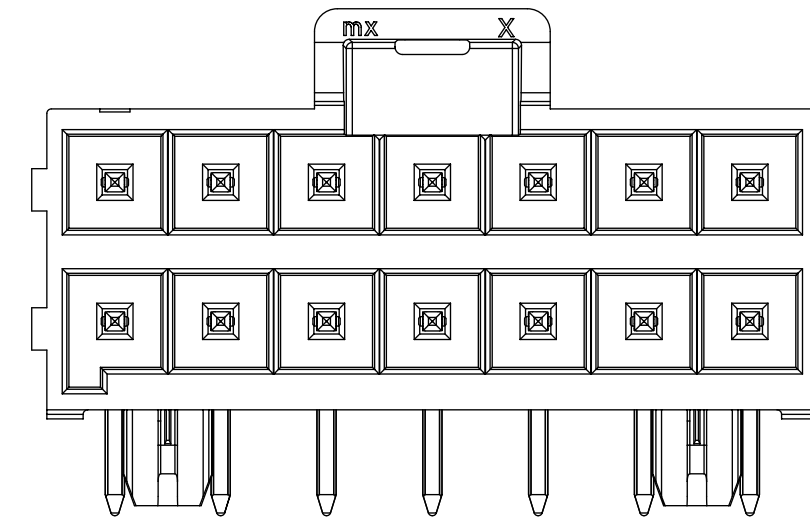
8 CKT



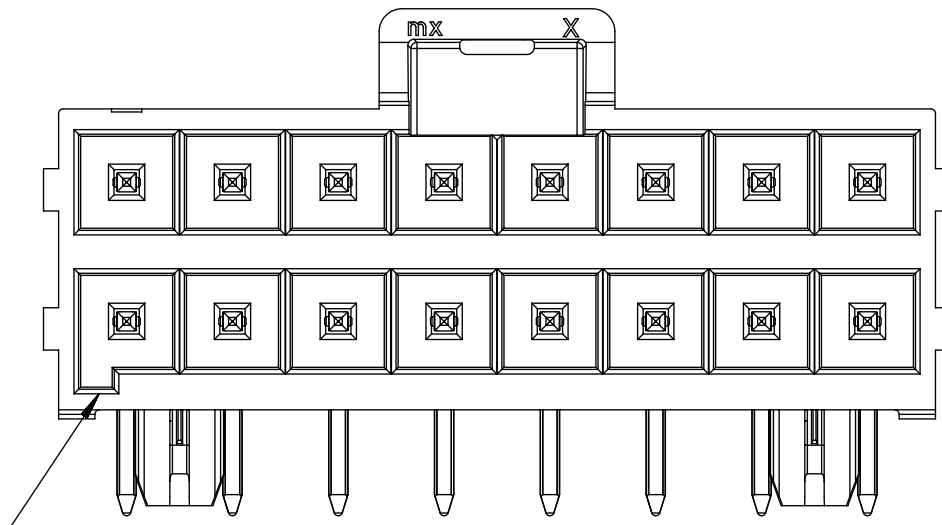
10 CKT



12 CKT

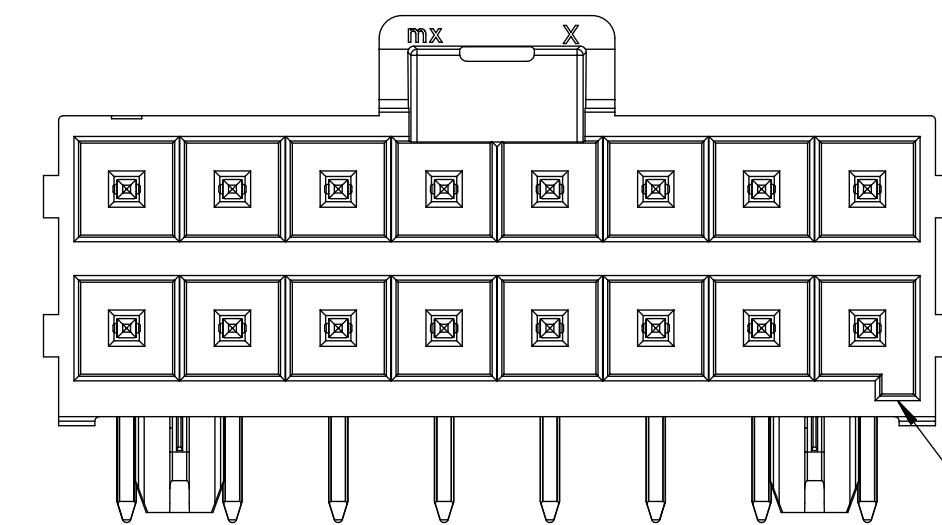


14 CKT



16 CKT

KEY A
(BLACK)



KEY B
(NATURAL)

| | | | |
|--|---|------------------------|--|
| FUNCTIONAL SYMBOLS | THIS DRAWING CONTAINS INFORMATION THAT IS PROPRIETARY TO MOLEX ELECTRONIC TECHNOLOGIES, LLC AND SHOULD NOT BE USED WITHOUT WRITTEN PERMISSION | | |
| | DIMENSION UNITS | SCALE | CURRENT REV DESC: OBSOLETE PART NUMBER AS PER PCN#509988 |
| $F_A = 0$ | mm | 1:1 | |
| DIVISIONAL SYMBOLS | GENERAL TOLERANCES (UNLESS SPECIFIED) | | |
| | ANGULAR TOL | ± ° | |
| DIVISIONAL SYMBOLS | 4 PLACES | ± | EC NO: 704776 |
| | 3 PLACES | ± | DRWN: SUGEEB 2022/04/06 |
| | 2 PLACES | ± 0.25 | CHK'D: GGA 2022/05/24 |
| | 1 PLACE | ± 0.5 | APPR: GGA 2022/05/24 |
| | 0 PLACES | ± | INITIAL REVISION: DRWN: DROSCA 2014/03/06 |
| DRAFT WHERE APPLICABLE MUST REMAIN WITHIN DIMENSIONS | | THIRD ANGLE PROJECTION | DRAWING SERIES MATERIAL NUMBER CUSTOMER SHEET NUMBER |
| | | | D-SIZE 172316 GENERAL MARKET 3 OF 3 |

molex

ULTRA-FIT R/A HEADER
4-16 CKTS DUAL ROW

PRODUCT CUSTOMER DRAWING

| | | | |
|-----------------|----------|----------|----------|
| DOCUMENT NUMBER | DOC TYPE | DOC PART | REVISION |
| SD-172316-1000 | PSD | 000 | F6 |