

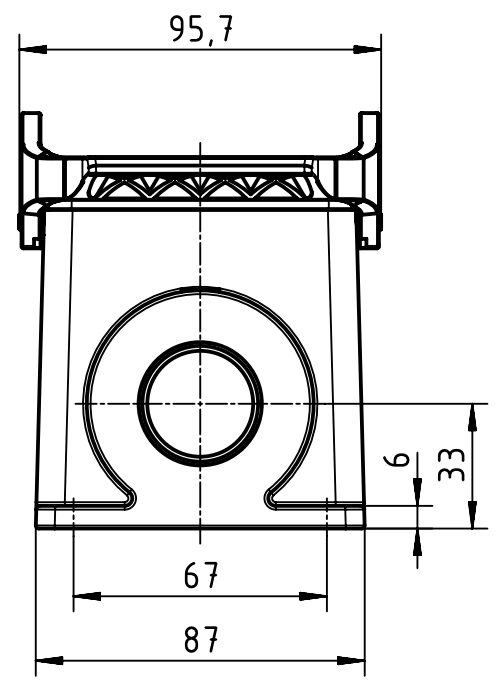
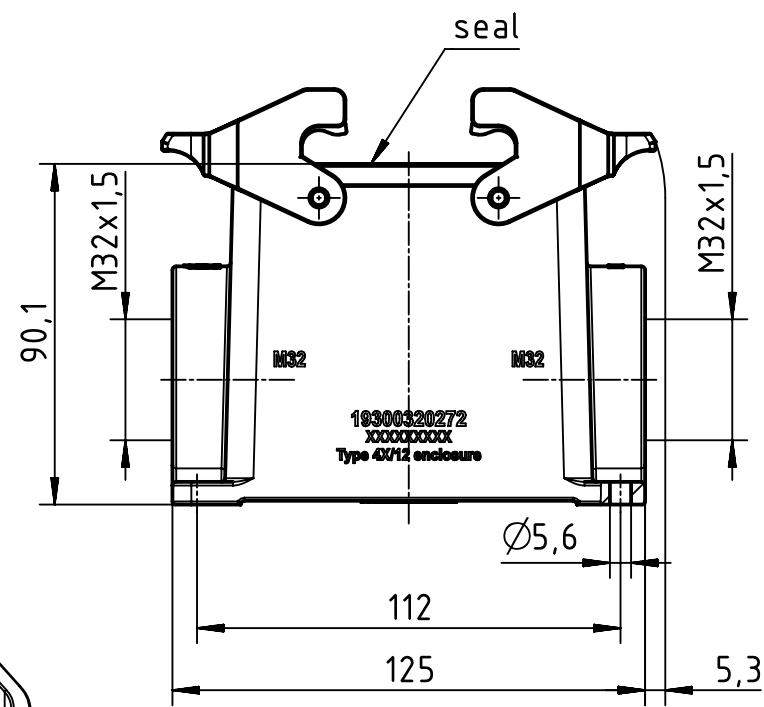
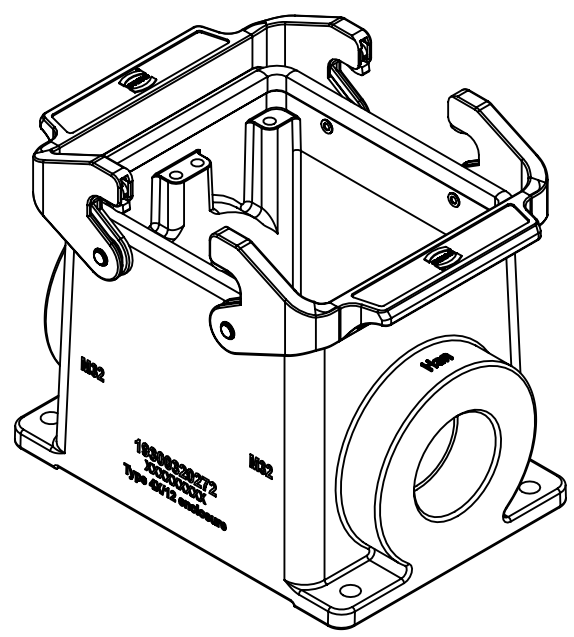
1 2 3 4 5 6

A

B

C

D



	All Dimensions in mm Original Size DIN A4		Scale 1:2	Free size tol.		Ref.
						Sub.
	All rights reserved		Created by HELLMANN	Inspected by GERB	Standardisation GARSKE	Date 2020-08-20
	Department EL PD					State Final Release
HARTING Electric GmbH & Co. KG D-32339 Espelkamp			Title Han 32B-HSM-HC-QB-2xM32			Doc-Key / ECM-Nr. 100108483/UGD/006/B 500000177800
			Type TB	Number 19 30 032 0272		Rev. B
						Page 1/1