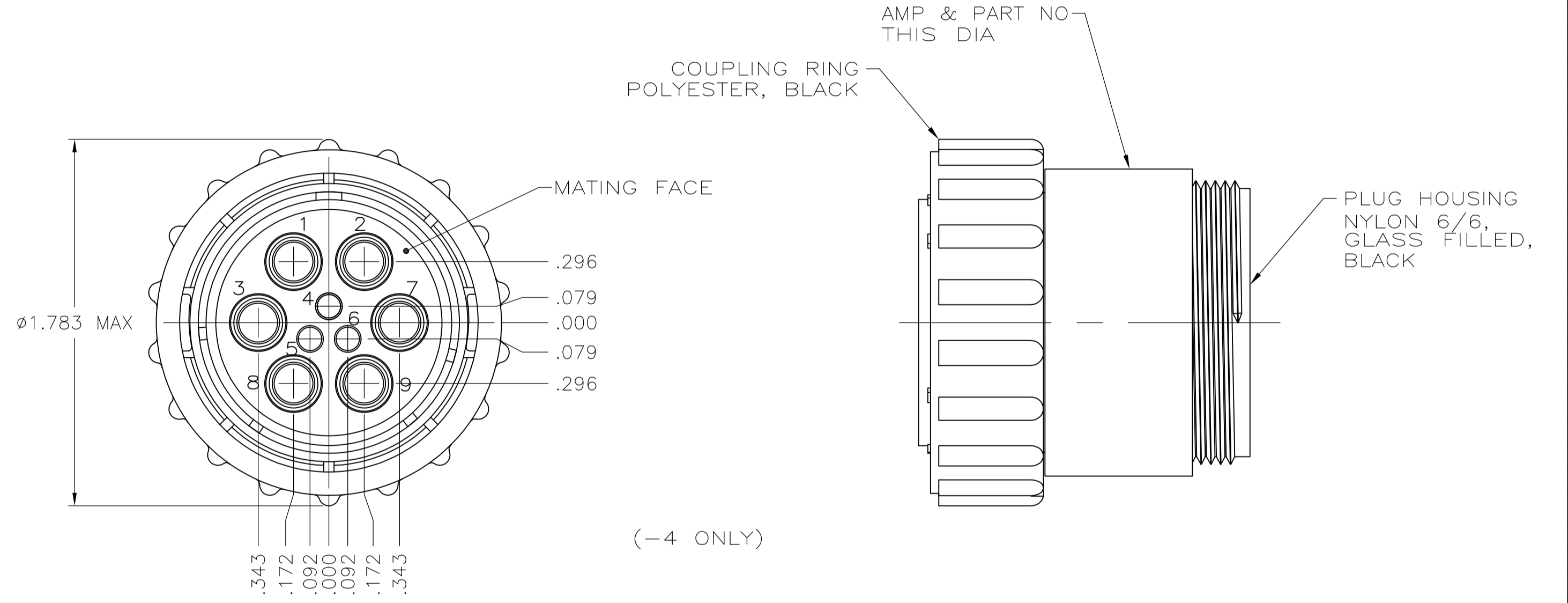
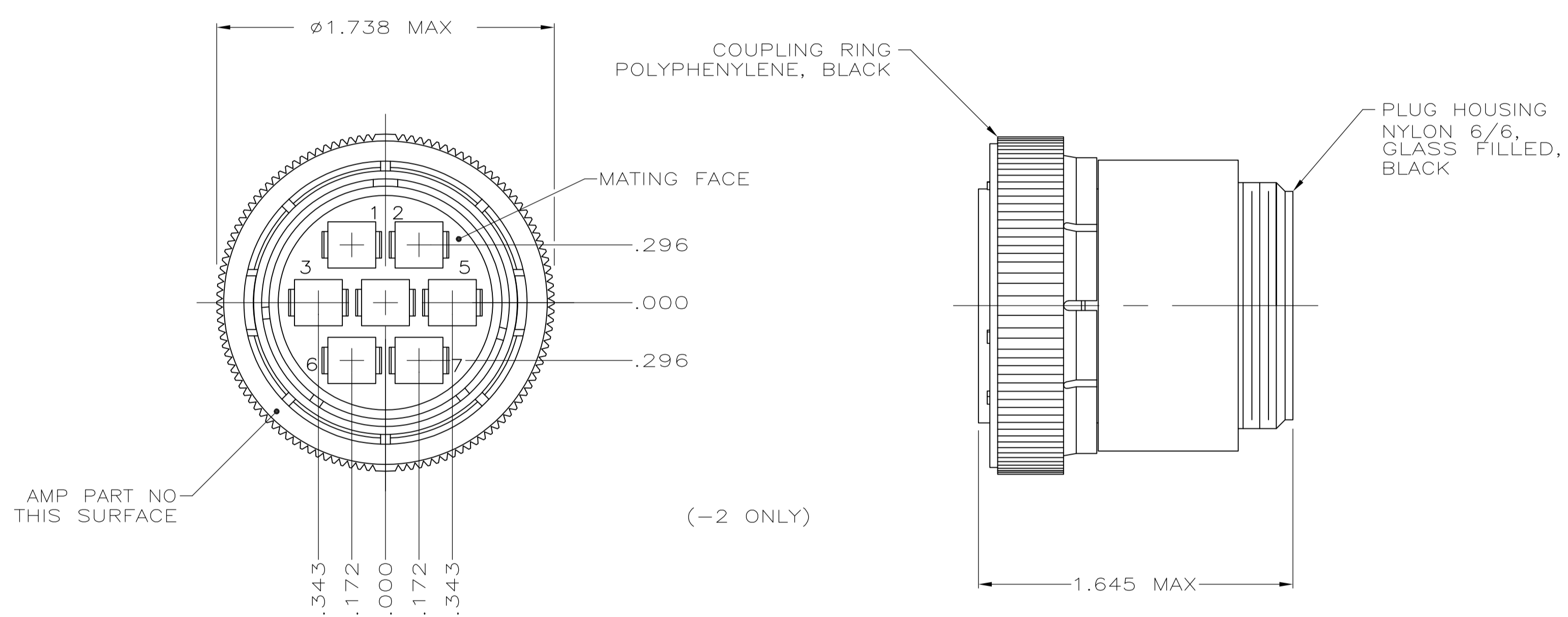
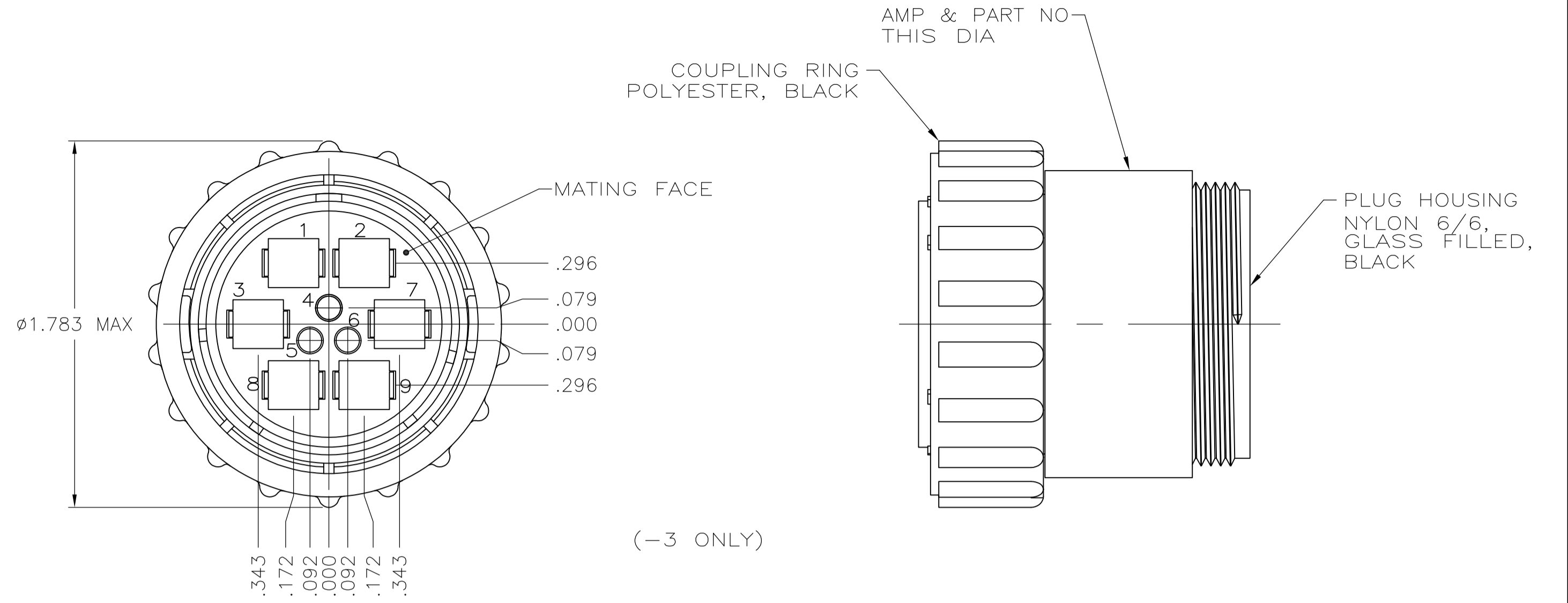
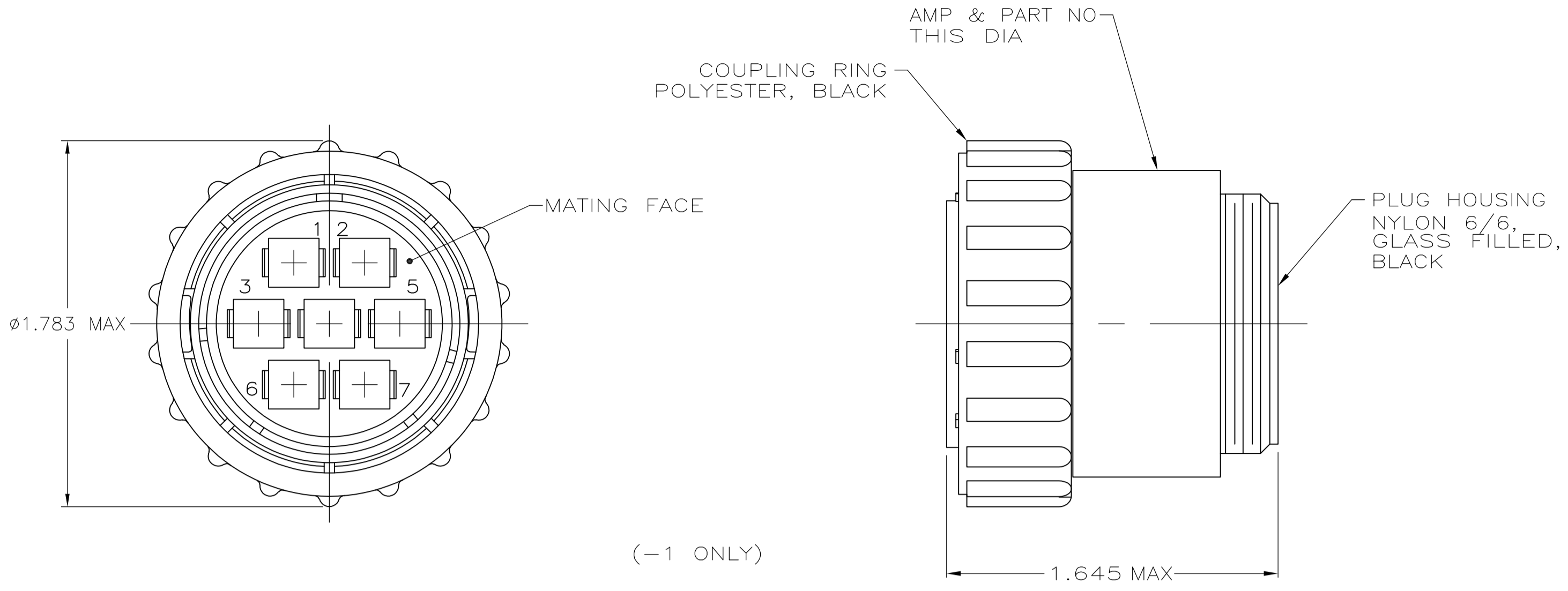


REVISIONS				
P	LTR	DESCRIPTION	DATE	APPV
L3		REVISED PER ECO-16-004800	10SEP2016	NK MZ



NOTES:

- 1. CONTACT CAVITIES IDENTIFIED BY CHARACTERS ON FRONT AND REAR FACES OF CONNECTOR.
- ① -1 AND -2 WILL ACCEPT (7) SEVEN TYPE XII PIN CONTACTS.
- ② -3 WILL ACCEPT (6) SIX TYPE XII PIN CONTACTS AND (3) THREE TYPE III+ PIN CONTACTS.
- ③ -4 WILL ACCEPT (6) SIX POWER BAND CONTACTS AND (3) THREE TYPE III+ PIN CONTACTS.
- ④ PRELIMINARY PART NUMBER.
- ⑤ OBSOLETE PARTS: OBSOLETE CIS STREAMLINING PER D.RENAUD/D.SINISI

④	OBSOLETE	-206226-4-
③	OBSOLETE	-206226-3-
②	OBSOLETE	-206226-2-
①		206226-1

PART NUMBER

THIS DRAWING IS A CONTROLLED DOCUMENT.		DIN S.RIDGLEY BG 8/2/90		TE Connectivity	
DIMENSIONS: INCHES		CHK: R.STONE 04/26/91		NAME: PLUG ASSEMBLY, SHELL SIZE 23, REVERSE SEX, SERIES 3, CPC	
TOLERANCES UNLESS OTHERWISE SPECIFIED:		APVD: -		PRODUCT SPEC: -	
0. PLC ± -		APPLICATION SPEC: -		SIZE: A1	
1. PLC ± -		WEIGHT: -		CAGE CODE: 00779	
2. PLC ± -		CUSTOMER DRAWING		DRAWING NO: 206226	
3. PLC ± .005		SCALE: 2:1		SHEET: 1 OF 1	
4. PLC ANGLES ± -		RESTRICTED TO:		REV: L3	
MATERIAL: SEE CALLOUT		FINISH: -			