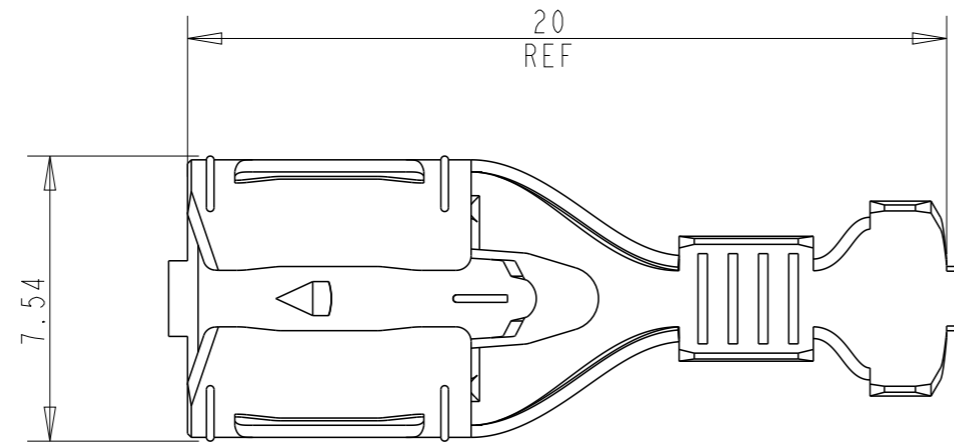
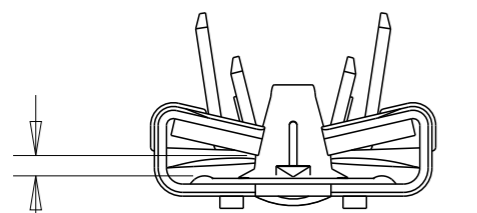


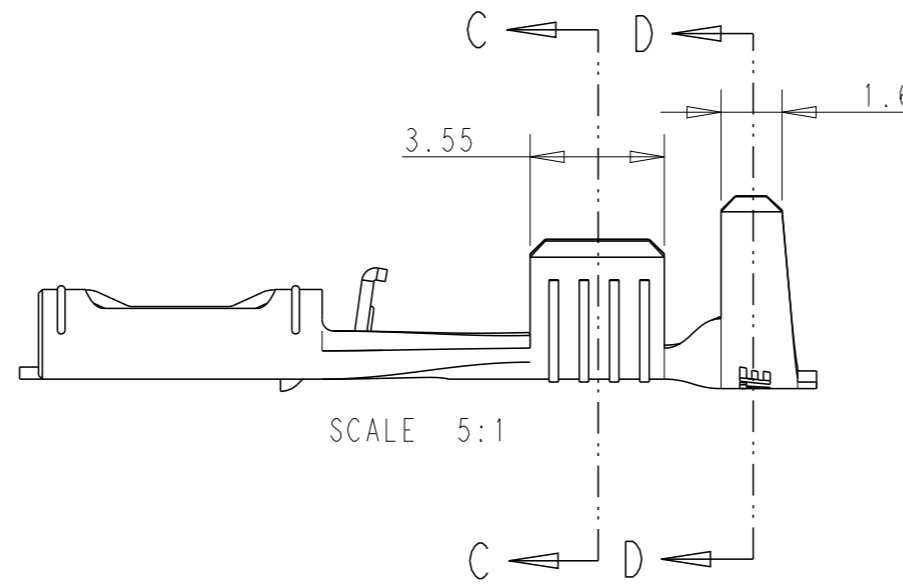
P	LTR	DESCRIPTION	DATE	DWN	APVD
A1		ECR-22-144860	06 JUL 22	DT	EW



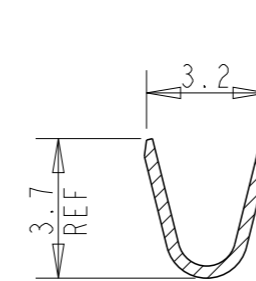
NOTES;
 1. CONTINUOUS STRIP ON REELS
 2. WIRE RANGE: 18-14AWG
 INSULATION RANGE: 2.3-3.4mm²



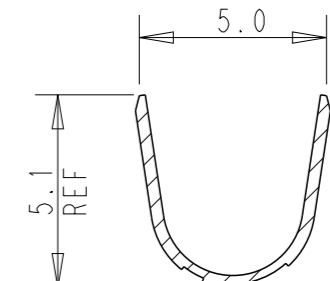
MATING WITH 0.8mm TAB



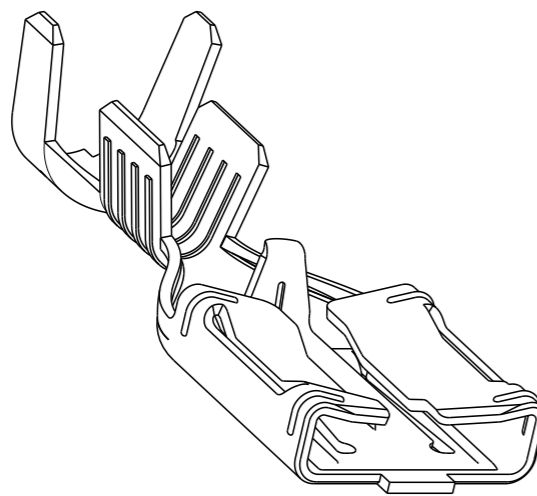
SCALE 5:1



SECTION C-C



SECTION D-D



THICKNESS	PRE-TIN	BRASS	2379911-1
0.32mm	PLATING	MATERIAL	PN

THIS DRAWING IS A CONTROLLED DOCUMENT.

DIMENSIONS:	TOLERANCES UNLESS OTHERWISE SPECIFIED:
mm	
	0 PLC ±-
	1 PLC ±0.3
	2 PLC ±0.25
	3 PLC ±0.2
	4 PLC ±-
	ANGLES ±3
MATERIAL	FINISH
-	-
-	-

DWN	DON TANG	06-Jul-22
CHK	DAISY LI	06-Jul-22
APVD	ERIC WANG	06-Jul-22
PRODUCT SPEC	108-106568	
APPLICATION SPEC	114-106568	
WEIGHT	-	
CUSTOMER DRAWING		

TE TE Connectivity			
NAME 250 F-SPRING REC. 18-14 AWG TPBR			
-			
SIZE	CAGE CODE	DRAWING NO	RESTRICTED TO
A3	00779	©-2379911	-
SCALE 5:1		SHEET 1 OF 1	REV A1