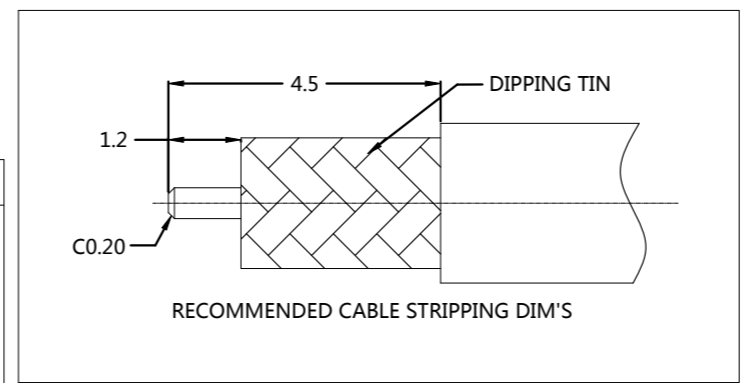
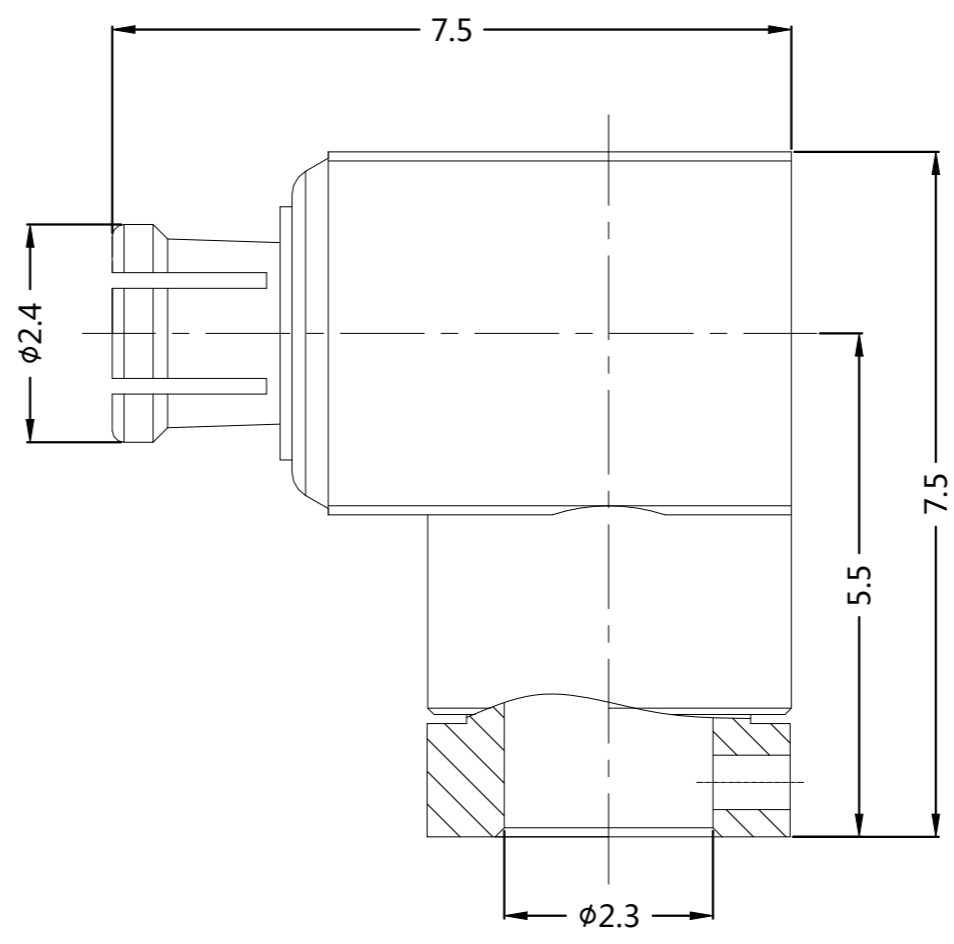
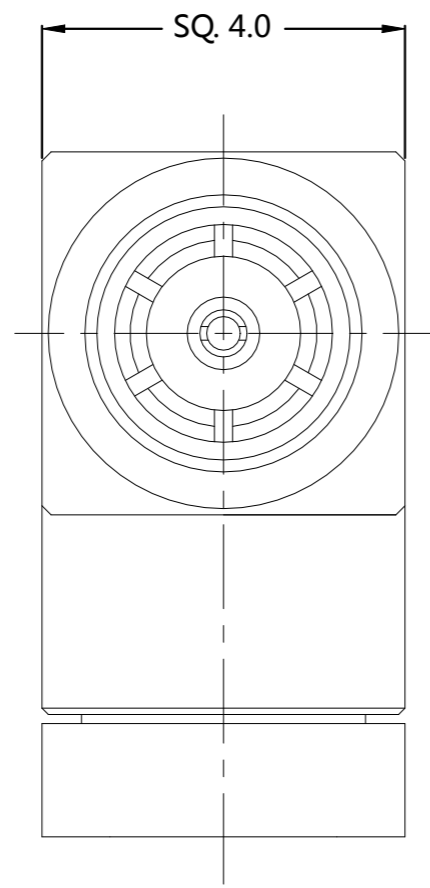


| REVISIONS | | | | | |
|-----------|-----|---------------------------|-----------|-----|------|
| P | LTR | DESCRIPTION | DATE | DWN | APVD |
| | A | REVISED PER ECN-22-147532 | 07APR2022 | RZ | WK |



| ELECTRICAL | MECHANICAL | ENVIRONMENTAL |
|---|---|--|
| Impedance (Ohm) <u>50</u> | Interface Dimension MIL-STD-348B Fig. <u>328-1</u> | TEMPERATURE RANGE <u>-40°C TO + 125°C</u> |
| Frequency Range (GHz) <u>DC to 40GHz</u> | Force to Engage (lbs) Full Detent 4.5 Max Smooth Bore 2.5 Max | THERMAL SHOCK <u>MIL-STD-202, METH.107, COND.B</u> |
| Voltage Rating (Peak) <u>175 V RMS</u> @ Sea Level | Force to Disengage (lbs) Full Detent 6.5 Max Smooth Bore 1.5 Max | CORROSION <u>MIL-STD-202, METH.101, COND.B</u> |
| Insulation Resistance (MIN.) <u>1000 M ohms</u> | Center Contact Captivation Axial (Lbs) <u>1.5</u> Radial (In/Oz) <u>N/A</u> | VIBRATION <u>MIL-STD-202, METH.204, COND.D</u> |
| Contact Resistance (Milliohms MAX) Center Contact <u>6.0</u> Outer Contact <u>2.0</u> | Cable Retention Axial (Lbs) <u>N/A</u> | SHOCK <u>MIL-STD-202, METH.213, COND.I</u> |
| Dielectric Withstand Voltage: <u>500 V RMS Max</u> | Mating cycles <u>100</u> cycles | MOISTURE RESISTANCE <u>MIL-STD-202, METH.106,</u> |
| Insertion Loss : <u>0.1*SQRT(F) dB</u> | | ROHS <u>COMPLIANT</u> |
| VSWR: <u><1.3 @ DC~26.5GHz</u> <u><1.5 @ 26.5~40GHz</u> | | |
| RF leakage: <u>N/A</u> | | |

| QUANTITY PER ASSY | PARTS LIST |
|-------------------|-----------------------------------|
| 1 | Au15u" BeCu OUTER CONTACT 4 |
| 1 | Au15u" BRASS BODY 3 |
| 1 | - PTFE INSULATION 2 |
| 1 | Au50u" BeCu CENTER CONTACT 1 |
| -1 | PLATING MATERIAL DESCRIPTION ITEM |

THIS DRAWING IS A CONTROLLED DOCUMENT.

| | | |
|------|---------|-----------|
| DWN | RANDY Z | 16FEB2022 |
| CHK | ERIC D | 16FEB2022 |
| APVD | WENKE H | 16FEB2022 |

NAME: SMPM JACK RA SOLDER FOR CABLE TFLEX-405

| | | | |
|------|-----------|------------|---------------|
| SIZE | CAGE CODE | DRAWING NO | RESTRICTED TO |
| A3 | 00779 | C-2406866 | - |

CUSTOMER DRAWING SCALE 1:1 SHEET 1 OF 1 REV A