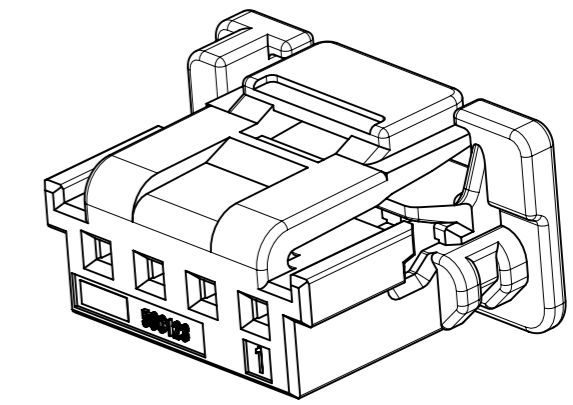
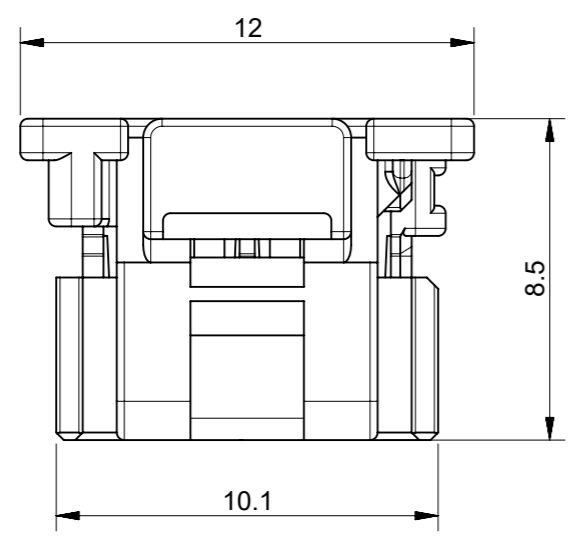
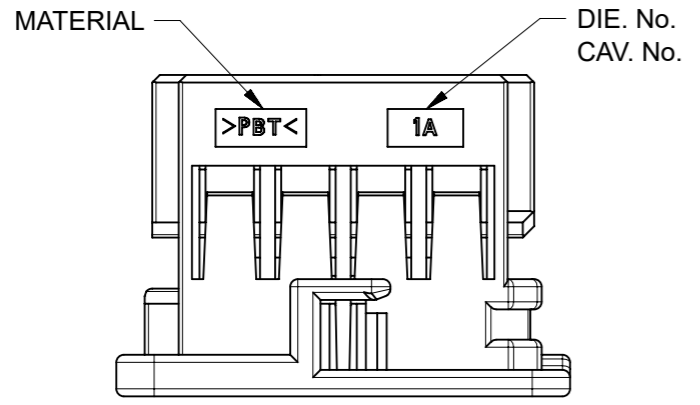
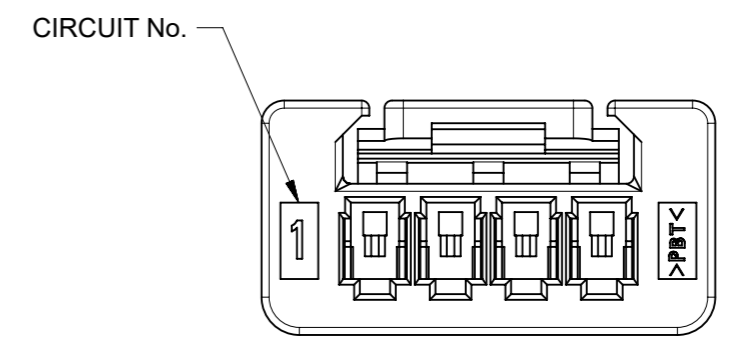
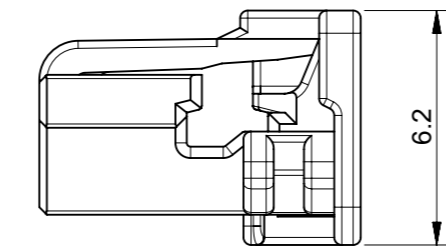
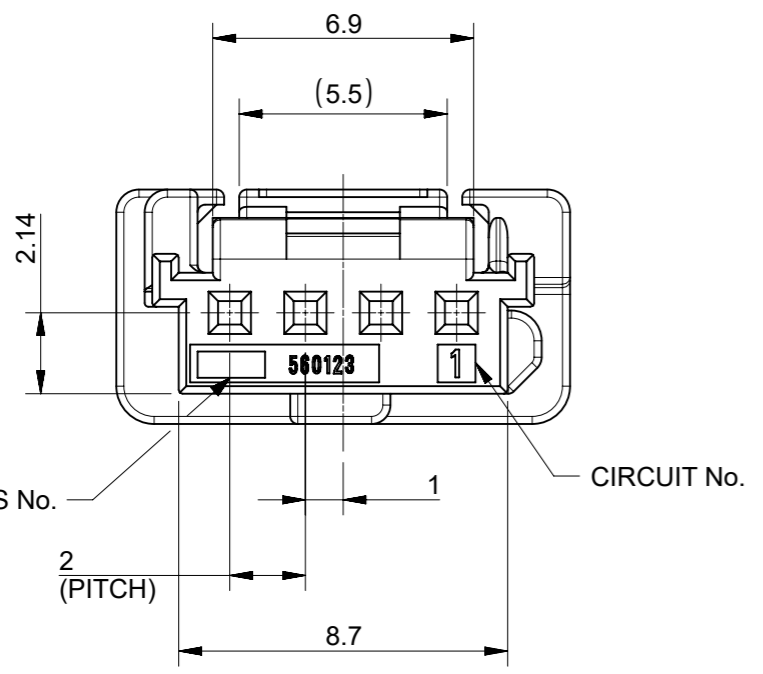


GENERAL TOLERANCE										USED ON
10 MAX	30 MAX	50 MAX	70 MAX	100 MAX	120 MAX	250 MAX	250 OVER	ANGLE	ECCENT	
±0.15	±0.20	±0.30	±0.40	±0.50	±0.75	±0.90	±1.4	±0.5°	0.1	



ISO VIEW



- NOTES:
1. MATERIALS : POLYESTER (PBT), GLASS UNFILLED, UL 94V-0
  2. MATE WITH : 502352, 560020 SERIES
  3. APPLICABLE TERMINAL : 560124 SERIES
  4. APPLICABLE ISL : 560125 SERIES
  5. GENERAL TOLERANCE : SEE TABLE
  6. EVL AND RoHS COMPLIANT
  7. PRODUCT SPECIFICATION : PS-560123-00\*
  8. PACKING SPECIFICATION : PK-560123-001

MATERIAL NUMBER

ORDER NO.	MATERIAL NO.	COLOR
560123-0400	5601230400	WHITE
560123-0401	5601230401	BLACK
560123-0402	5601230402	RED
560123-0404	5601230404	BLUE

FUNCTIONAL SYMBOLS	THIS DRAWING CONTAINS INFORMATION THAT IS PROPRIETARY TO MOLEX ELECTRONIC TECHNOLOGIES, LLC AND SHOULD NOT BE USED WITHOUT WRITTEN PERMISSION	CURRENT REV DESC:																																								
	<table border="1"> <tr> <th>DIMENSION UNITS</th> <th>SCALE</th> </tr> <tr> <td>mm</td> <td>5:1</td> </tr> </table>	DIMENSION UNITS	SCALE				mm	5:1	<table border="1"> <tr> <th colspan="2">GENERAL TOLERANCES (UNLESS SPECIFIED)</th> </tr> <tr> <td>ANGULAR TOL</td> <td>± °</td> </tr> <tr> <td>4 PLACES</td> <td>±</td> </tr> <tr> <td>3 PLACES</td> <td>±</td> </tr> <tr> <td>2 PLACES</td> <td>±</td> </tr> <tr> <td>1 PLACE</td> <td>±</td> </tr> <tr> <td>0 PLACES</td> <td>±</td> </tr> </table>		GENERAL TOLERANCES (UNLESS SPECIFIED)		ANGULAR TOL	± °	4 PLACES	±	3 PLACES	±	2 PLACES	±	1 PLACE	±	0 PLACES	±	<table border="1"> <tr> <td>EC NO: 668822</td> <td>2021/07/01</td> </tr> <tr> <td>DRWN: SAKIM</td> <td>2021/07/05</td> </tr> <tr> <td>CHK'D: HIJIMA</td> <td>2021/07/05</td> </tr> <tr> <td>APPR: HIJIMA</td> <td></td> </tr> </table>		EC NO: 668822	2021/07/01	DRWN: SAKIM	2021/07/05	CHK'D: HIJIMA	2021/07/05	APPR: HIJIMA		<table border="1"> <tr> <td colspan="3">INITIAL REVISION:</td> </tr> <tr> <td>DRWN: YIBAEK</td> <td>2014/07/03</td> <td></td> </tr> <tr> <td>APPR: SRTAK</td> <td>2014/08/26</td> <td></td> </tr> </table>			INITIAL REVISION:			DRWN: YIBAEK	2014/07/03
DIMENSION UNITS	SCALE																																									
mm	5:1																																									
GENERAL TOLERANCES (UNLESS SPECIFIED)																																										
ANGULAR TOL	± °																																									
4 PLACES	±																																									
3 PLACES	±																																									
2 PLACES	±																																									
1 PLACE	±																																									
0 PLACES	±																																									
EC NO: 668822	2021/07/01																																									
DRWN: SAKIM	2021/07/05																																									
CHK'D: HIJIMA	2021/07/05																																									
APPR: HIJIMA																																										
INITIAL REVISION:																																										
DRWN: YIBAEK	2014/07/03																																									
APPR: SRTAK	2014/08/26																																									
DIVISIONAL SYMBOLS	<table border="1"> <tr> <th colspan="2">DRAFT WHERE APPLICABLE MUST REMAIN WITHIN DIMENSIONS</th> </tr> <tr> <td>THIRD ANGLE PROJECTION</td> <td></td> </tr> </table>	DRAFT WHERE APPLICABLE MUST REMAIN WITHIN DIMENSIONS		THIRD ANGLE PROJECTION		DRAWING	SERIES	MATERIAL NUMBER	CUSTOMER	SHEET NUMBER																																
DRAFT WHERE APPLICABLE MUST REMAIN WITHIN DIMENSIONS																																										
THIRD ANGLE PROJECTION																																										
		A3-SIZE	560123	SEE TABLE	GENERAL MARKET	1 OF 1																																				