



DC Motor-25 9V/16RPM

SKU: 80047 Weight: 110.00 Gram

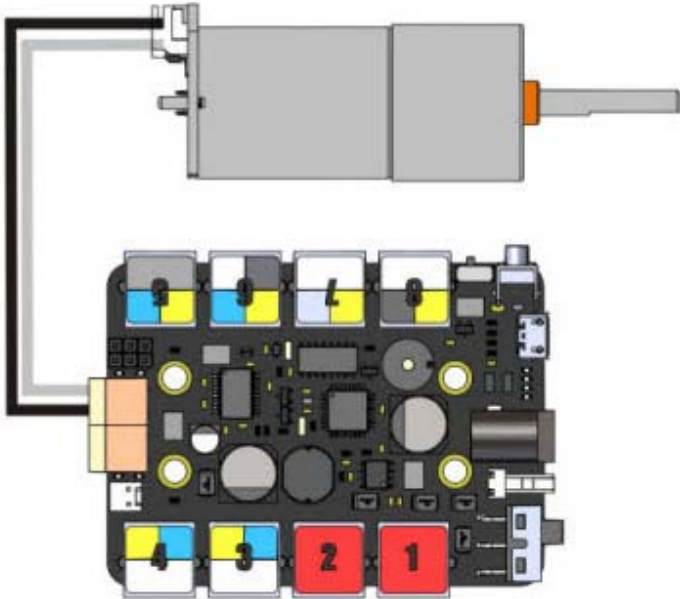
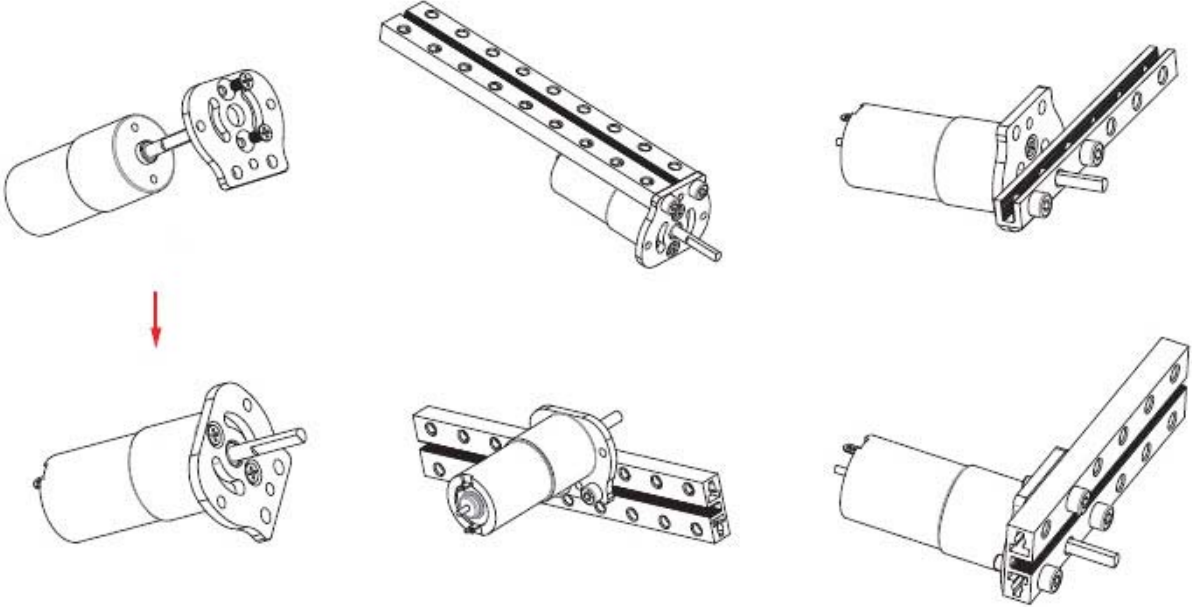
What is DC Motor?

DC motor is the most commonly used motor on Makeblock platform. It is driven by direct current and is the ideal option to get things moving in all kinds of projects.

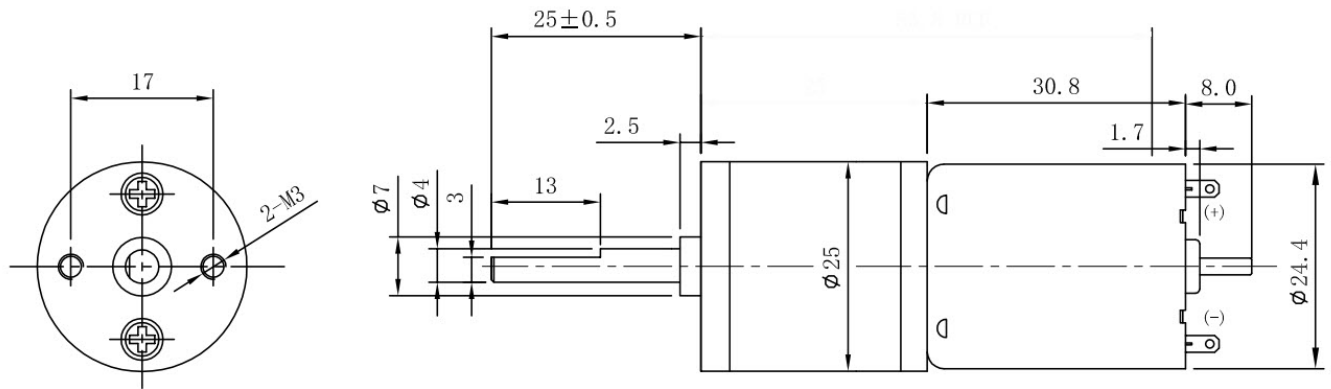
How to Connect DC motor?

By adding [DC Motor-25 Bracket](#), this DC motor can easily connect with other Makeblock structural parts. It can also be connected to the M1, M2 interface of Makeblock [Me Orion](#) mainboard directly or connected to [Me Dual DC Motor Driver](#).

Building Examples:



Size Chart (mm):



UNIT: MILLIMETRE (mm)

Specifications

Voltage	9.0V(DC)
Ambient Temperature	0°C~+50°C
Ambient Relative	60%±5%
Gross Weight	110g (3.88oz)
Package Content (Qty. x Part Name)	1 x PH2.0-2P to Stripped-End Cable - 35cm 1 x DC Motor-25 9V

Comparison Chart

Model	SKU	Gear Ratio	Stall Torque	Stall Current	No Load		Load		
					Speed	Current	Torque	Speed	Current
700RPM	80032	1:10	1.5kg.cm	≤2.7A	700±10% rpm	≤150mA	0.3kg.cm	580±10rpm	≤600mA
325RPM	80035	1:20	4.5±kg.cm	≤2.7A	325±10% rpm	≤150mA	1.0kg.cm	280±10rpm	≤600mA
185RPM	80038	1:45	5.8 min	/	185±10% rpm	≤220mA	1.5kg.cm	150±10rpm	≤1.1A
86RPM	80041	1:75	11kg.cm	≤2.7A	86±10% rpm	≤150mA	3.5kg.cm	75±10rpm	≤550mA
30RPM	80044	1:217	/	≤2.7A	30±10% rpm	≤150mA	8.0kg.cm	26±10rpm	≤500mA
16RPM	80047	1:217	14.0 kg.cm	≤0.7A	16±10% rpm	≤100mA	14.0 kg.cm	12±10rpm	≤250mA



https://store.makeblock.com/index.php?route=product/product&product_id=6708/2-8-19