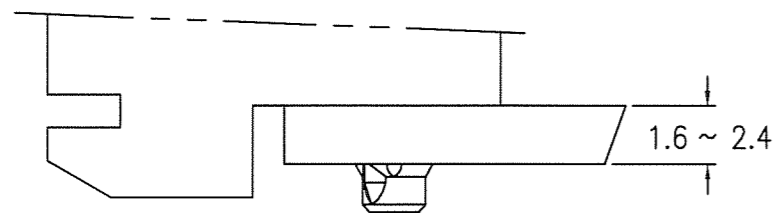
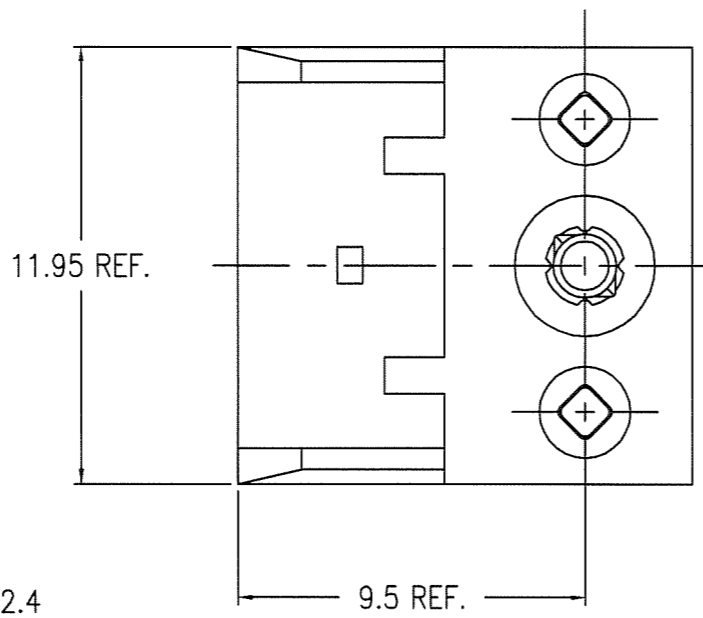
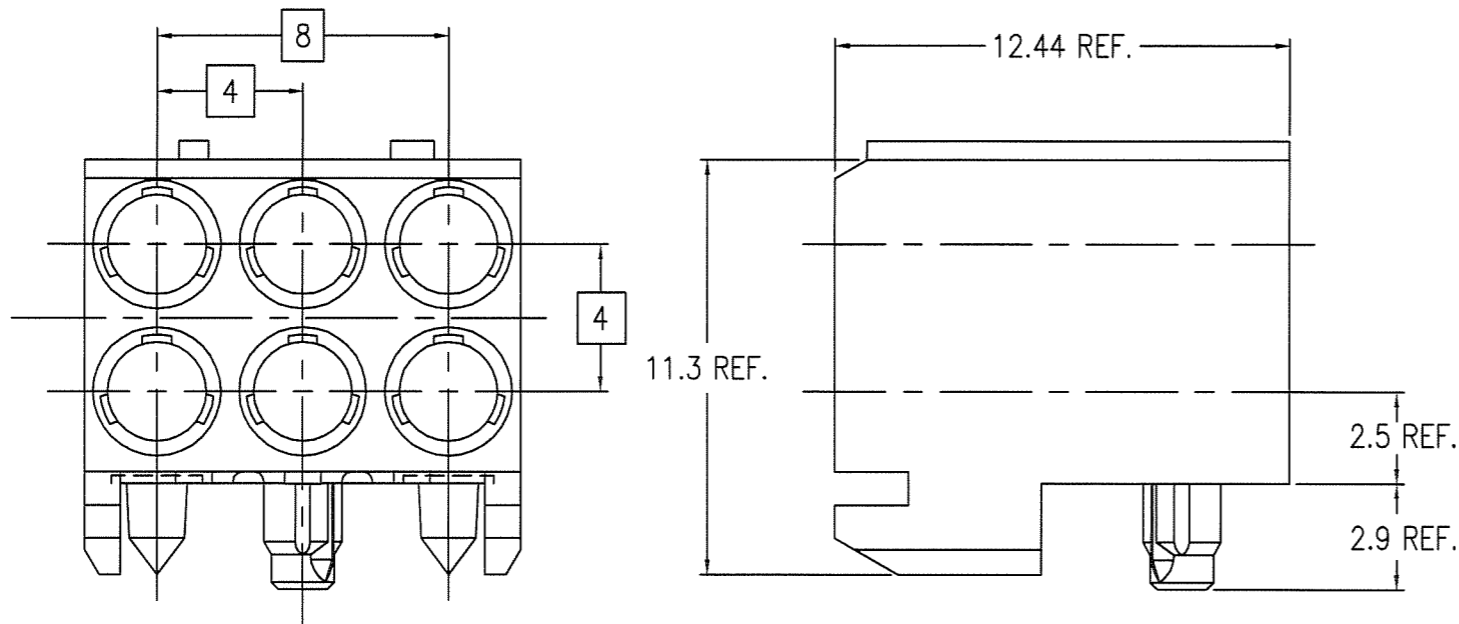
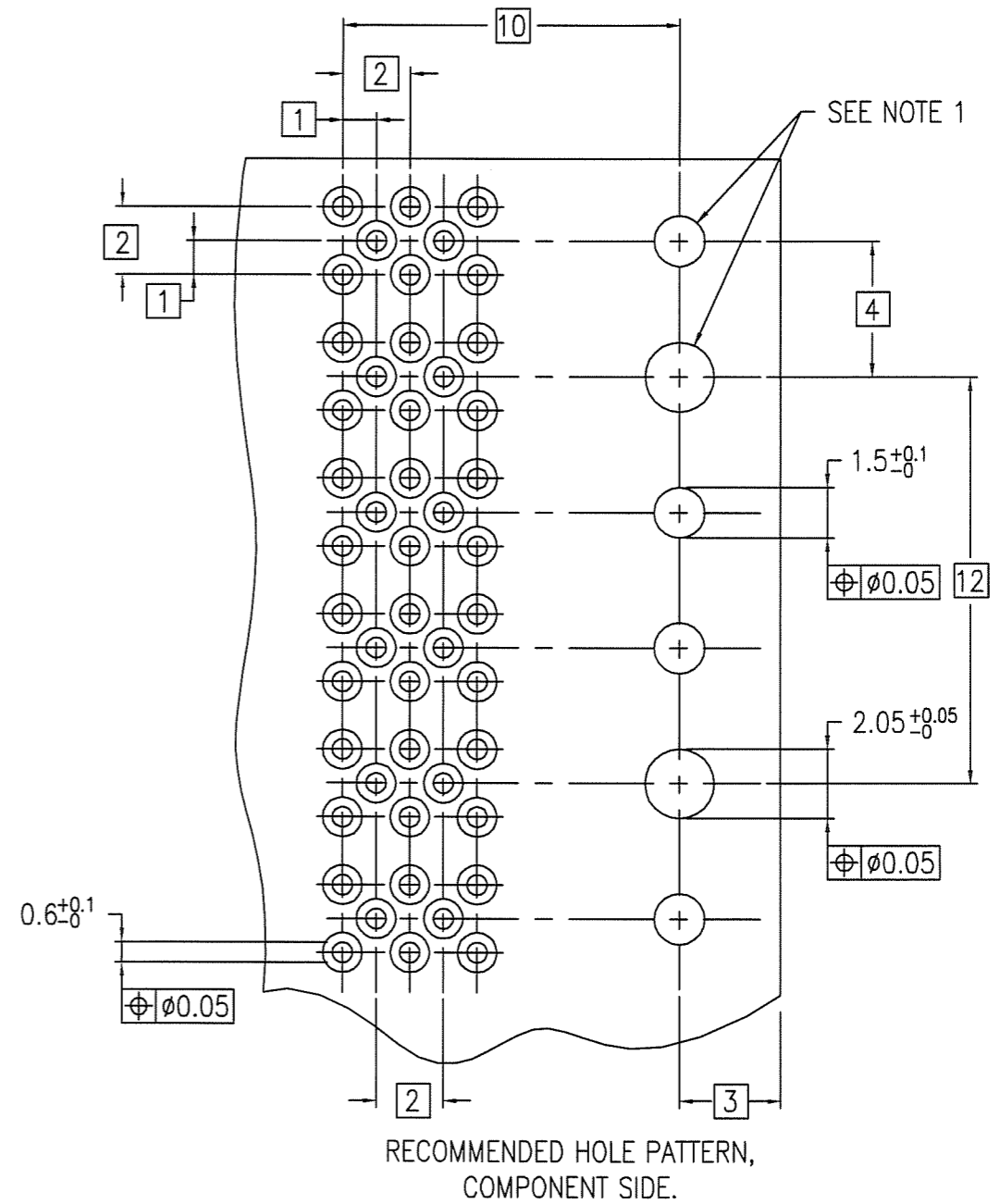


PRODUCT NO.

85939-102



PRODUCT AFTER PC BOARD APPLICATION

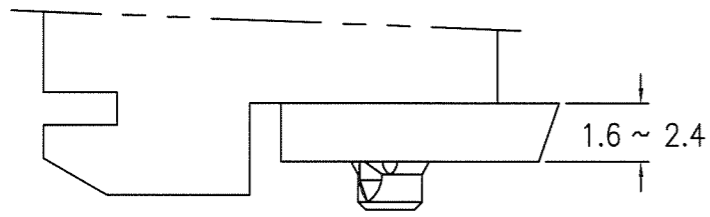
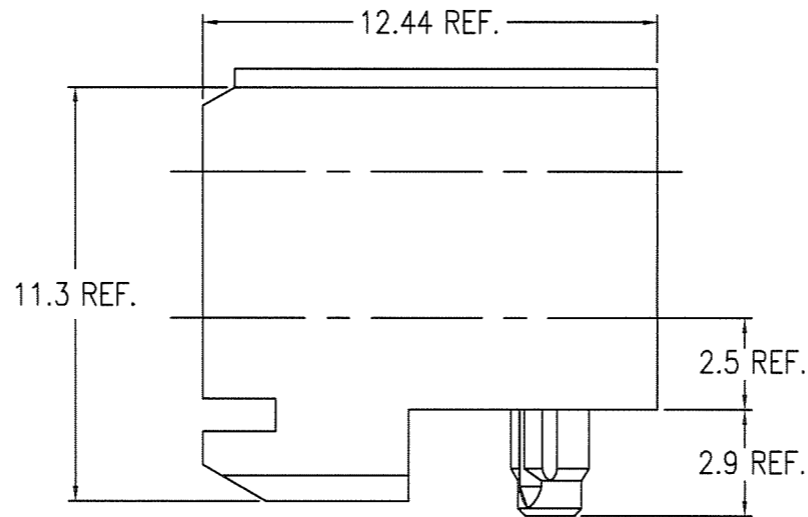
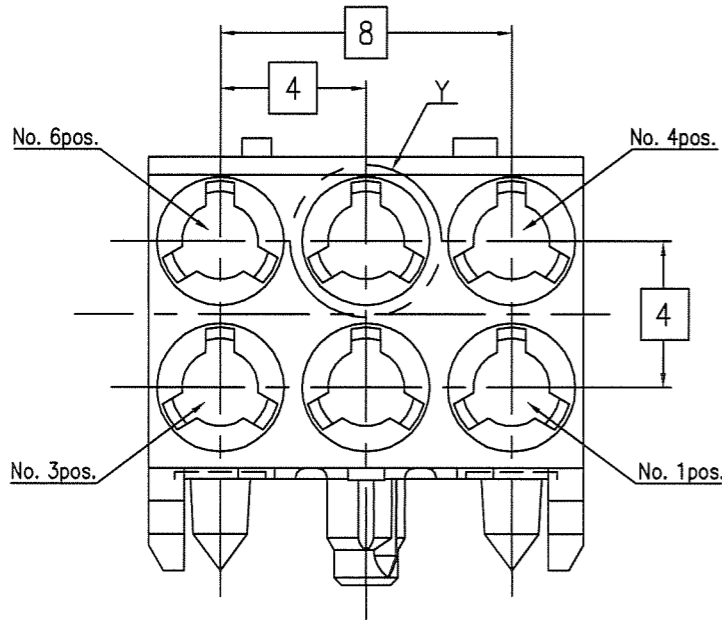
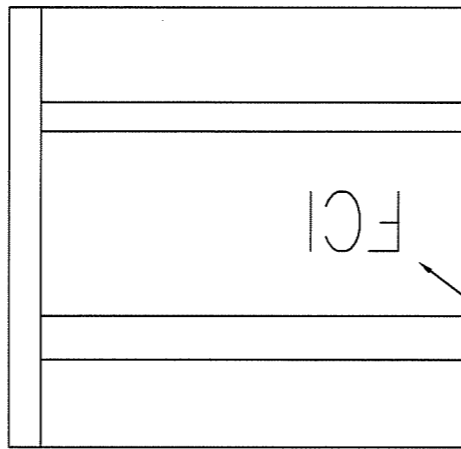
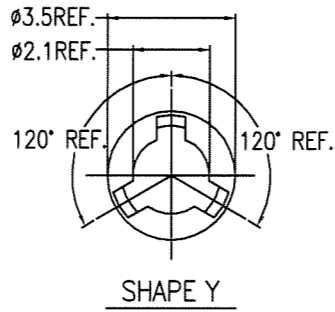


RECOMMENDED HOLE PATTERN, COMPONENT SIDE.

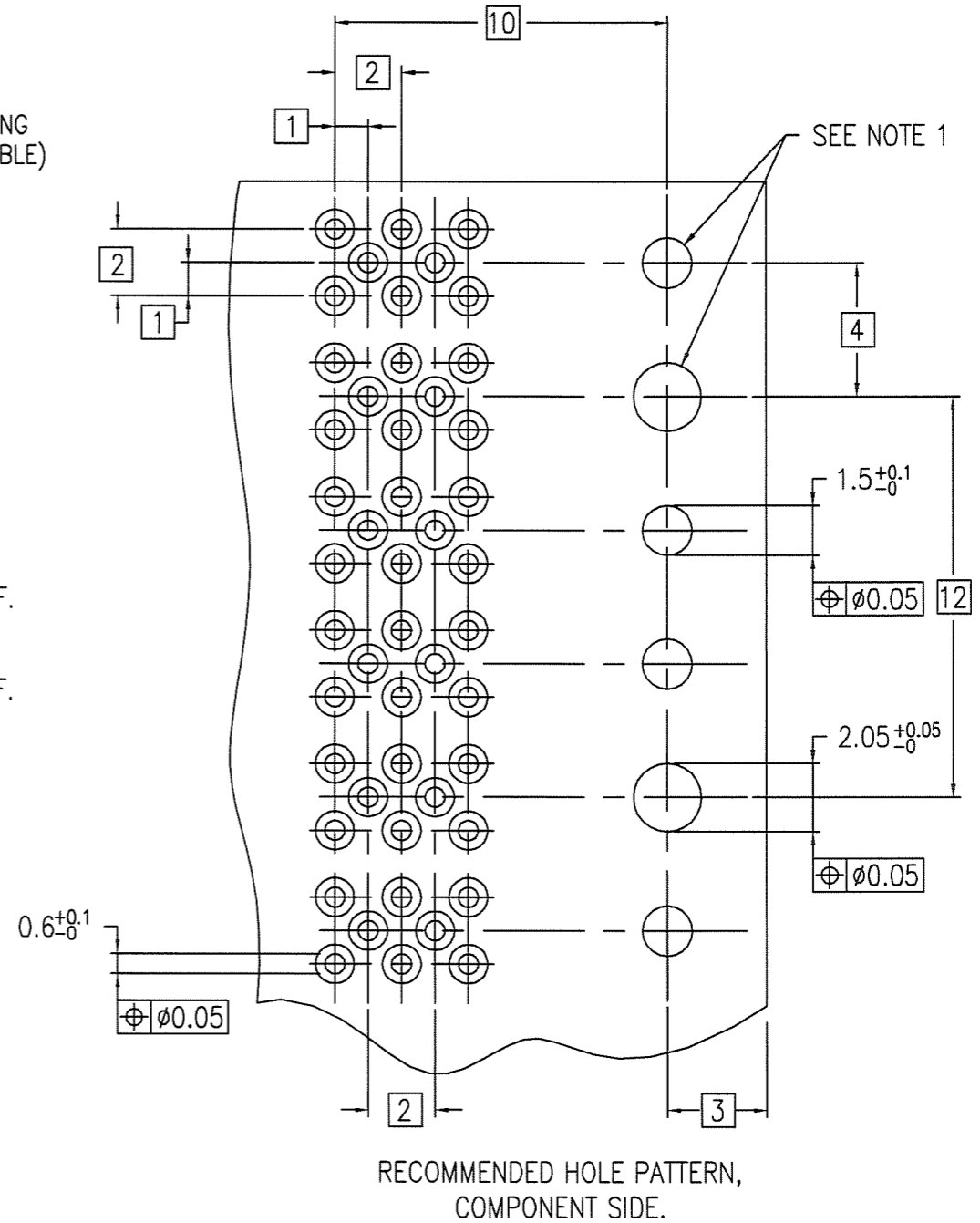
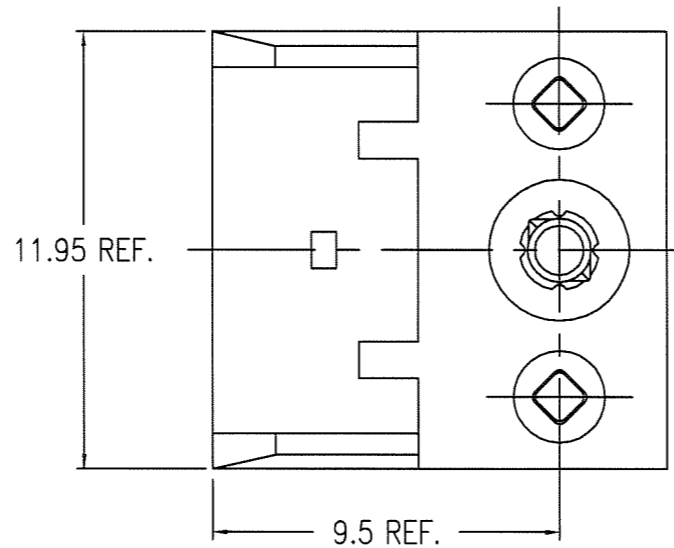
- NOTE :
1. INDICATED HOLES ARE UNPLATED.
 2. MATERIAL :
LIQUID CRYSTAL POLYMER 30% GLASS
UL 94V-0 , COLOR NATURAL

mat'l. code				surface		tolerance		projection		product family		CODE	
---				ISO 1302		ISO 406		MM		METRAL		JP	
						ISO 1101		MM		title			
				tolerances unless otherwise specified		0.X ±0.15		MM		R/A FEMALE			
				angles		0.XX ±0.15		MM		MINI COAX PRESS PEG			
				0°±2'		0.XXX ±0.15		scale 5:1		dwg no		sheet 1 of 2 size	
A RELEASED J70165 M.N 6/23/'97				dr		M.NAGASE 6/23/'97		FCJ		85939		A3	
B REVISED J80420 Y.K 10/15/'98				enr		S.OKUDAIRA 1/17/'07				type			
C REVISED J80425 Y.K 10/21/'98				chr		R. Shoji 1/18/'07				Customer Drawing			
D REVISED J90322 Y.K 1/17/'00				appd		S. Okudaira 1/17/'07							
E REVISED J10491 Y.K 9/18/'01													
F REVISED J07-0030 S.O 1/18/'07													
sheet index		revision sheet		F 1		D 2						Rev. F	

PRODUCT NO.	FCI MARKING
85939-122	WITHOUT
85939-1221	WITH



PRODUCT AFTER PC BOARD APPLICATION



RECOMMENDED HOLE PATTERN, COMPONENT SIDE.

NOTE :
 1. INDICATED HOLES ARE UNPLATED.
 2. MATERIAL :
 LIQUID CRYSTAL POLYMER 30% GLASS
 UL 94V-0 , COLOR NATURAL

mat'l. code				surface ISO 1302		tolerance ISO 406 ISO 1101		projection		product family METRAL		CODE JP
---				✓				MM		title		
ltr description ecn no dr date				tolerances unless otherwise specified						R/A FEMALE MINI COAX PRESS PEG		
A	RELEASED	J80425	Y.K	10/21/98	linear	0.X	±0.15	scale 5:1		dwg no 85939		sheet 2 of A3
B	REVISED	J90322	Y.K	1/17/00	angles	0.XX	±0.15	FCI		type Customer Drawing		Rev. D
C	REVISED	J10491	Y.K	9/18/01	0°±3'	0.XXX	±0.15					
D	REVISED	J07-0030	S.O	1/18/07	dr	Y.KODAIRA	10/21/98					
					enr	S.OKUDAIRA	1/18/07					
					chr	R. Shaji	1/18/07					
					app	S. Okudaira	1/18/07					
sheet index	revision sheet											