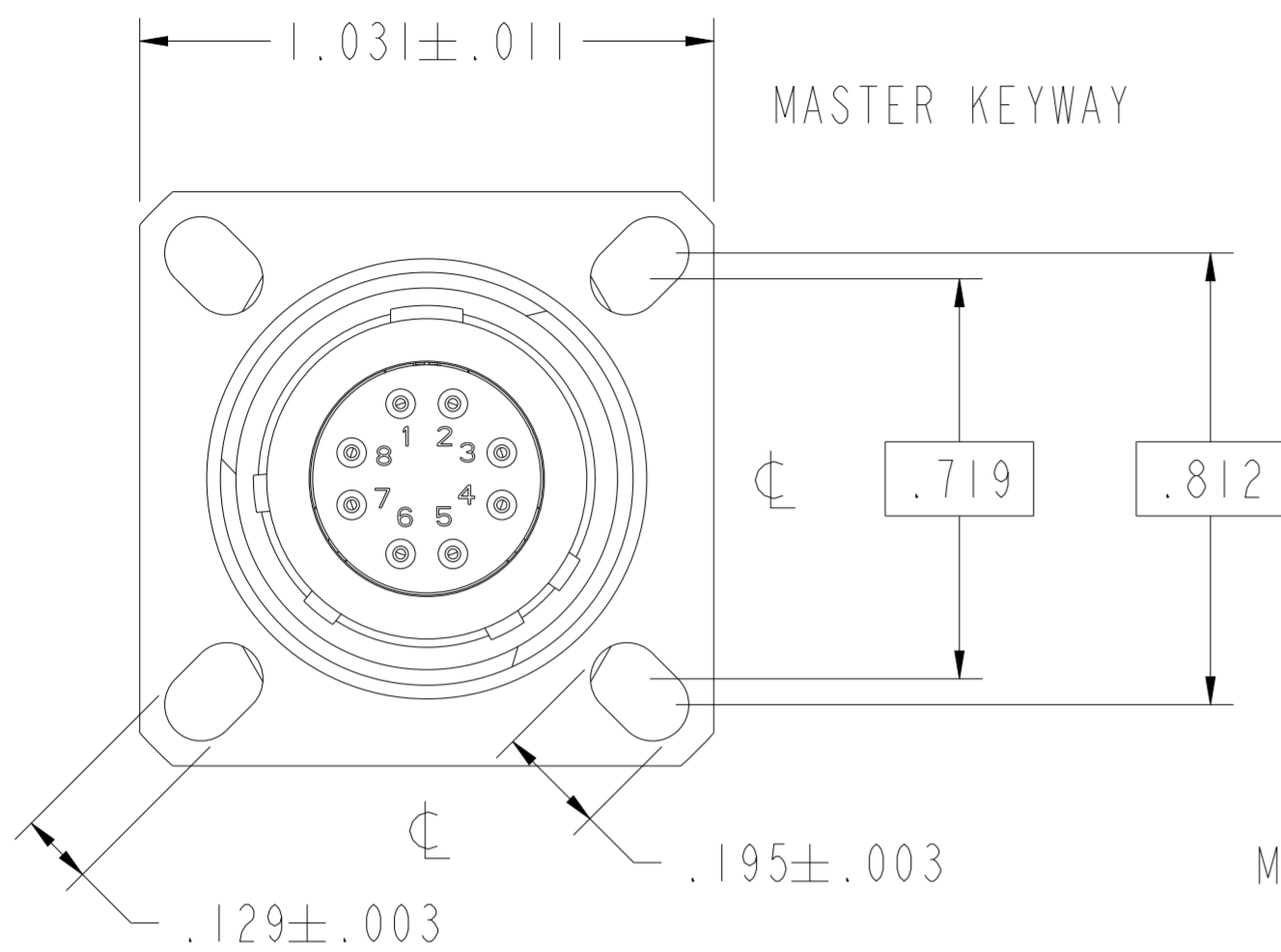


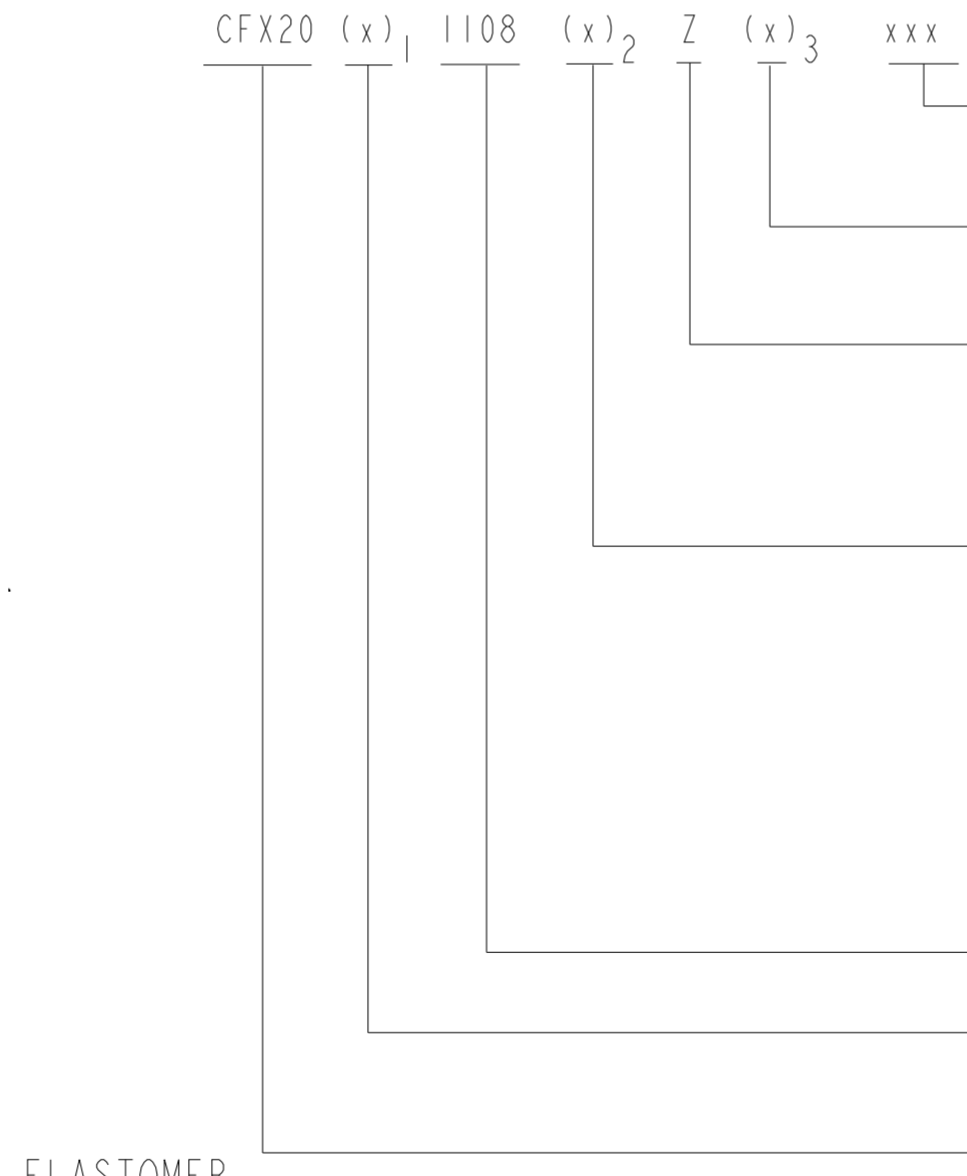
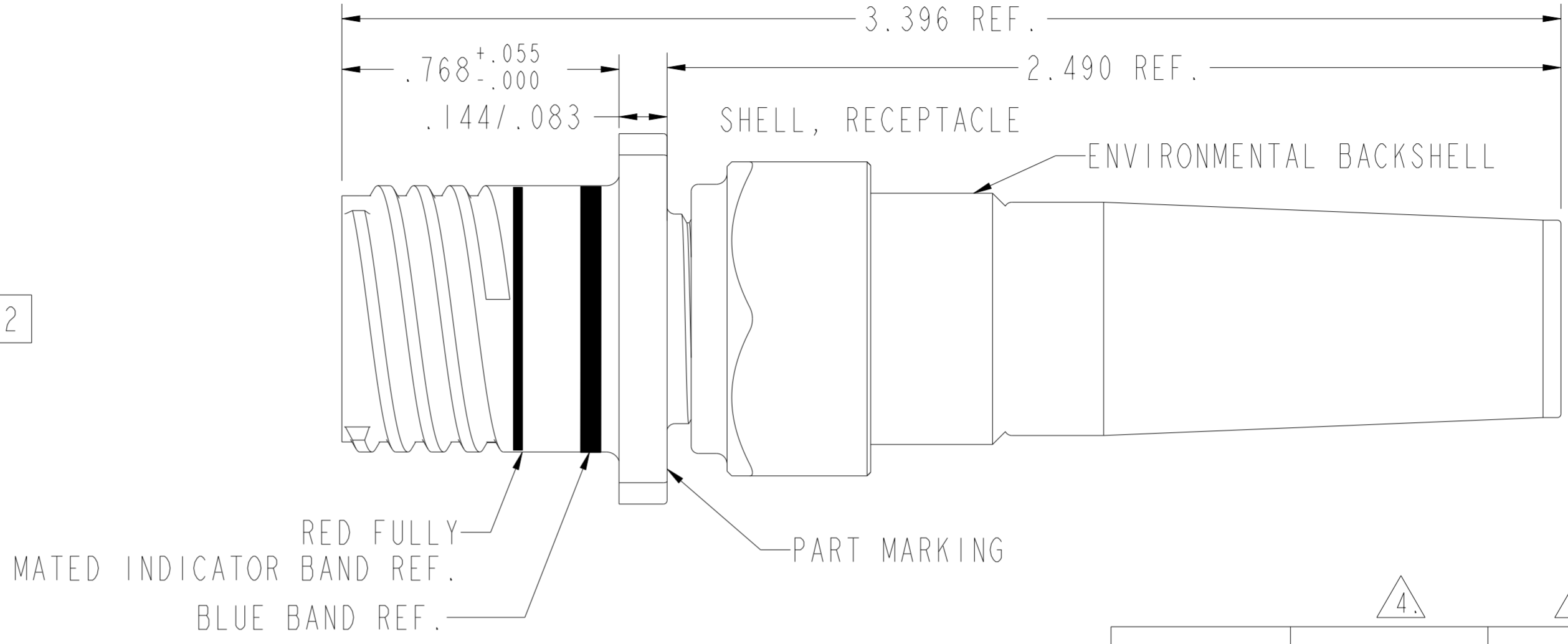
THIS DRAWING IS UNPUBLISHED. RELEASED FOR PUBLICATION 20
 © COPYRIGHT 20 ALL RIGHTS RESERVED.

PROPERTY OF THE TE CONNECTIVITY
 THIS INFORMATION IS CONFIDENTIAL AND PROPERTY TO TYCO ELECTRONICS CORPORATION
 AND ITS WORLDWIDE SUBSIDIARIES AND AFFILIATES (TE). IT MAY NOT BE DISCLOSED TO
 ANYONE, OTHER THAN TE PERSONNEL, WITHOUT AUTHORIZATION FROM TE (www.TE.com).

LOC		DIST		REVISIONS			
P	LTR	DESCRIPTION	DATE	DWN	APVD		
A		NEW RELEASE PER ECO-16-000996	160121	JPF	JPF		
B		REVISED PER ECN		EO			



PIN INSERT MARKING SHOWN ABOVE



MODIFICATION
 1077 = BACKSHELL LESS GROMMET
 M004 = TINEL LOCK BACKSHELL
KEYING POSITION:
 N, A, B, C, D, E
CONTACT TERMINATION:
 Z = CRIMPED CONTACT
 A THROUGH Y = EXTENDED CONTACT (SEE SHEET 2)
CONTACT FINISH:
 P = PIN LOCALIZED GOLD FINISH
 S = SOCKET LOCALIZED GOLD FINISH
 F = PIN FULL GOLD FINISH
 G = SOCKET FULL GOLD FINISH
 H = PIN HI REL FINISH
 J = SOCKET HI REL FINISH
 A = LESS PIN CONTACT
 B = LESS SOCKET CONTACT
SHELL SIZE/INSERT ARRANGMENT
PLATING/SHELL MATERIAL:
 SEE TABLE
BASIC IDENTIFIER

PART NUMBER (x) ₁	PLATING	SHELL MATERIAL
M	NICKEL	COMPOSITE
J	O.D. CAD	COMPOSITE
F	NICKEL	ALUMINUM
W	O.D. CAD	ALUMINUM
S	NICKEL	STAINLESS STEEL
T	TEFLON NICKEL	ALUMINUM
Z	BLACK ZINC NICKEL	ALUMINUM

SIZE 11 PART NUMBER(x) ₃	POS
CFX20x1108xZN	N
CFX20x1108xZA	A
CFX20x1108xZB	B
CFX20x1108xZC	C
CFX20x1108xZD	D
CFX20x1108xZE	E

- 7. PARTS ARE KITTED AS SEPARATE COMPONENTS FOR DELIVERY
- 6. COMPOSITE WEIGHT WITHOUT MODULES AND CABLE: 0.046 POUNDS.
 METAL WEIGHT WITHOUT MODULES AND CABLE: 0.078 POUNDS.
 PIN MODULE WEIGHT: .005 LBS.
 SOCKET MODULE WEIGHT: .011 LBS.
- 5. MATES WITH CFX26x1108xxx.

- 4. FINISH: SHELL/BACKSHELL - SEE TABLE.
 CONTACTS - SEE PART NUMBER BREAKDOWN.
- 3. MATERIAL: SHELL - SEE TABLE.
 BACKSHELL/ COUPLING RING - ALUMINUM ALLOY.
 CONTACTS - COPPER ALLOY.
 RESILIENT INSERTS/BACKSHELL GROMMET - SILICONE ELASTOMER.
 PLASTIC INSERTS - THERMOPLASTIC.

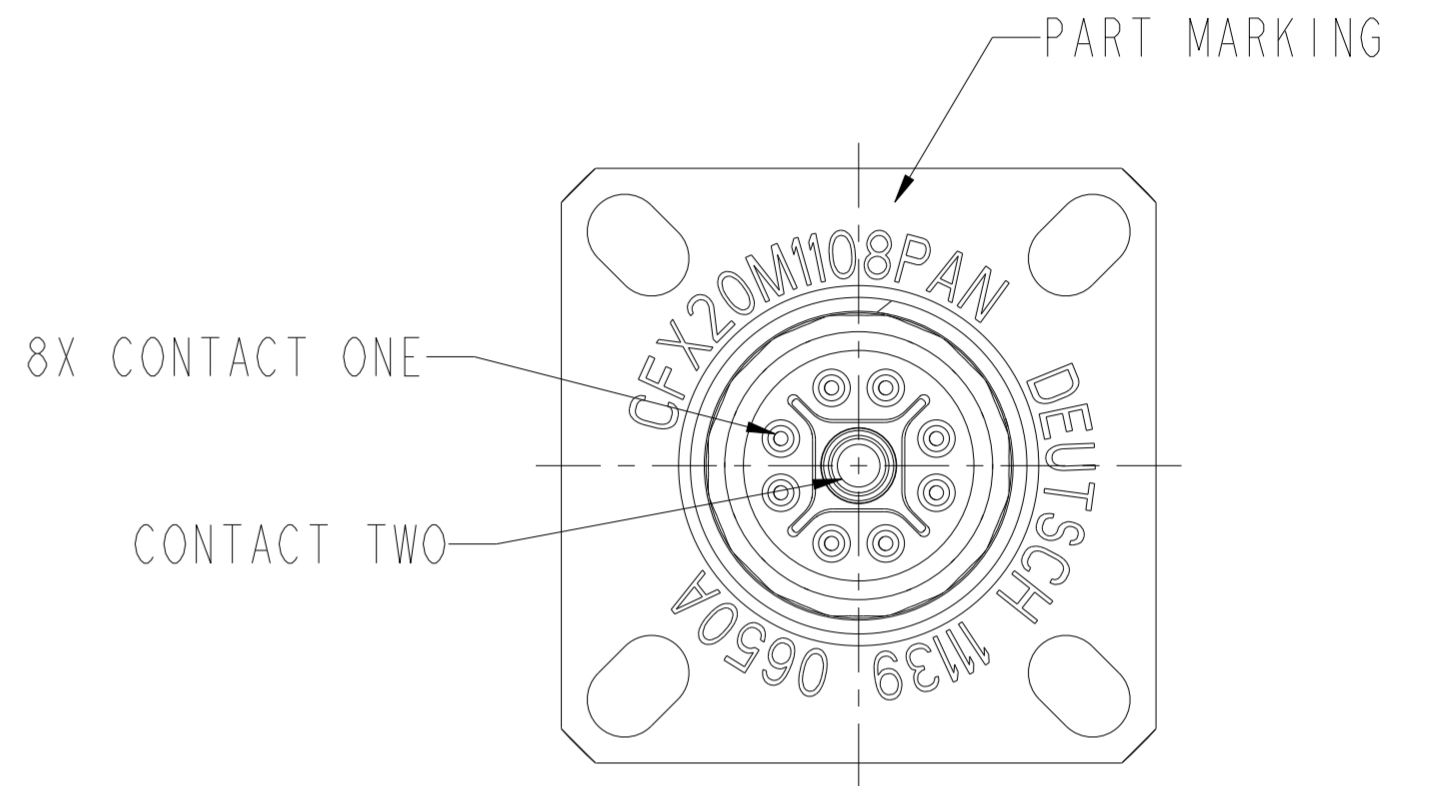
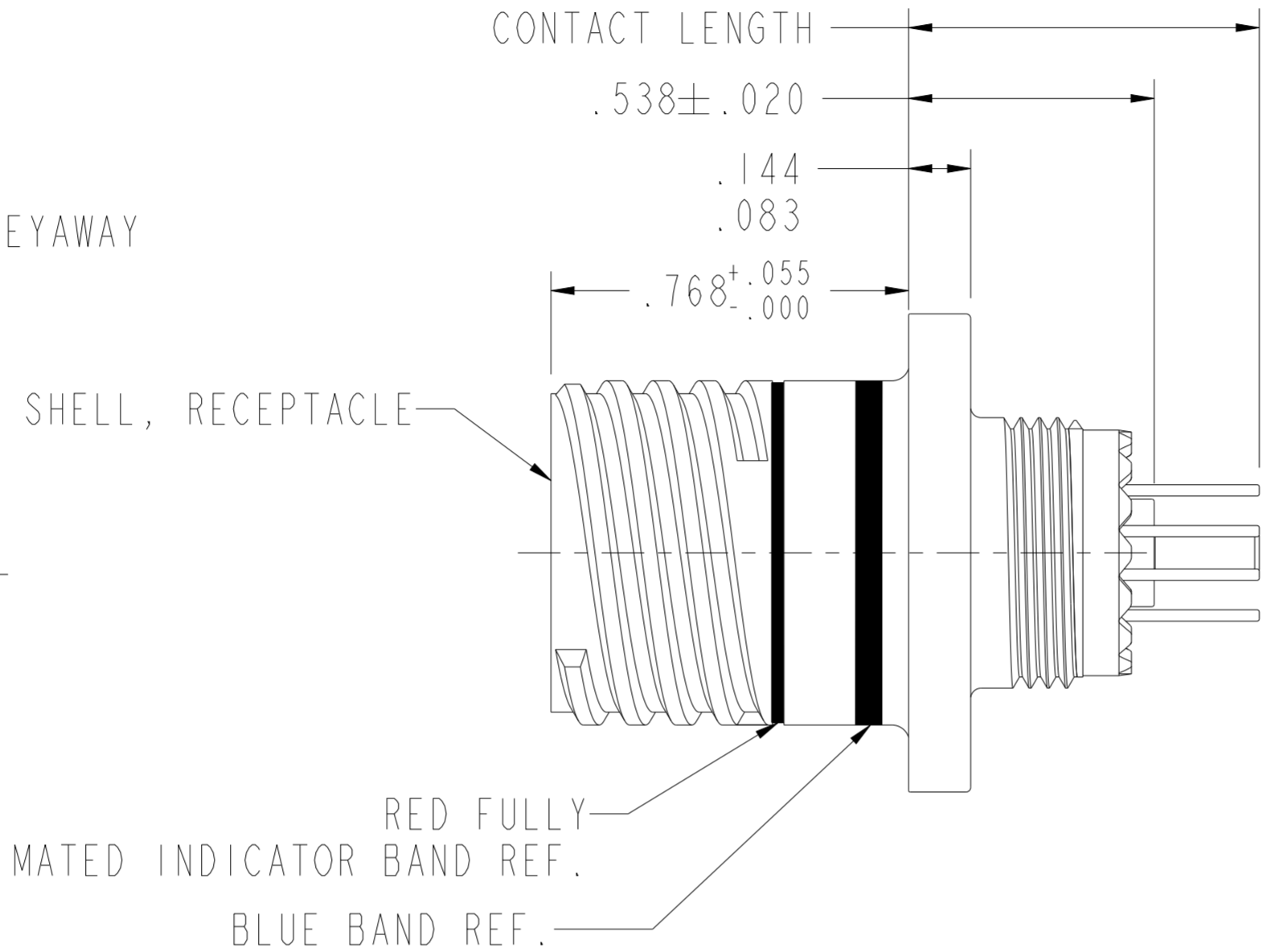
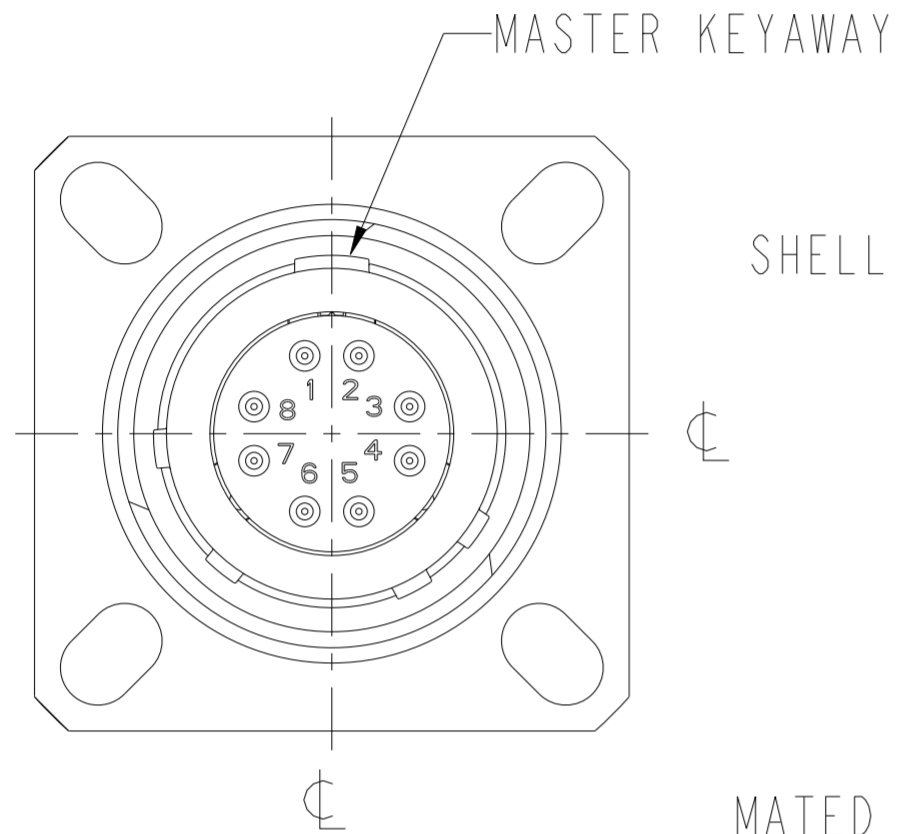
- 2. FOR AVAILABILITY CONSULT FACTORY.
- 1. ALL DIMENSIONS ARE IN INCHES UNLESS OTHERWISE SPECIFIED.

THIS DRAWING IS A CONTROLLED DOCUMENT.		DWN: JPF 140226	STE TE Connectivity	
DIMENSIONS: INCH		CHK: JPF 160122		
TOLERANCES UNLESS OTHERWISE SPECIFIED:		APVD: AR 160122	NAME: CONNECTOR, RECEPTACLE SQUARE FLANGE 1108 ARRANGEMENT	
0 PLC ±.1		PRODUCT SPEC: -	SIZE: A2	
1 PLC ±0.1		APPLICATION SPEC: -	CAGE CODE: 11139	
2 PLC ±0.01		WEIGHT: -	DRAWING NO: C-CFX20x1108xxx	
3 PLC ±0.005		CUSTOMER DRAWING	RESTRICTED TO: -	
4 PLC ±0.0005		SCALE: 3.000	SHEET 1 OF 4	
ANGLES ±0.5			REV: B1	
FINISH				

THIS DRAWING IS UNPUBLISHED. RELEASED FOR PUBLICATION 20
 © COPYRIGHT 20 ALL RIGHTS RESERVED.

PROPERTY OF THE TE CONNECTIVITY
 THIS INFORMATION IS CONFIDENTIAL AND PROPERTY TO TYCO ELECTRONICS CORPORATION
 AND ITS WORLDWIDE SUBSIDIARIES AND AFFILIATES (TE). IT MAY NOT BE DISCLOSED TO
 ANYONE, OTHER THAN TE PERSONNEL, WITHOUT AUTHORIZATION FROM TE (www.TE.com).

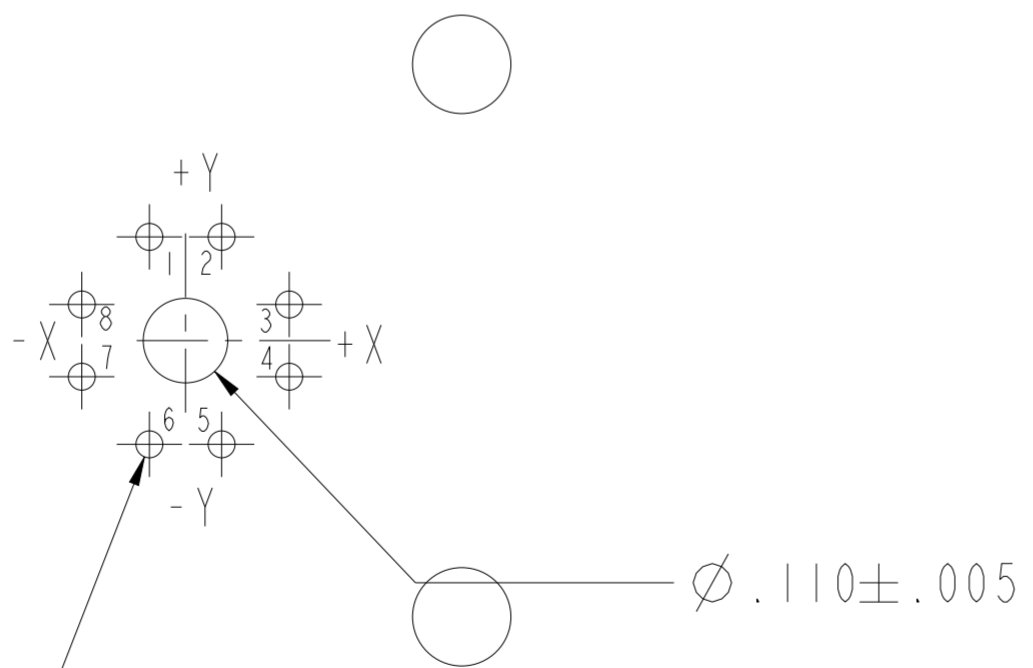
LOC		DIST		REVISIONS			
P	LTR	DESCRIPTION	DATE	DWN	APVD		
-	-	SEE SHEET 1	-	-	-		



PIN INSERT MARKING SHOWN ABOVE

RECEPTACLE WITH EXTENDED CONTACTS

INSERT ARRANGEMENT 1108 8 SIZE 22 CONTACTS		
CONTACT POSITION ID	LOCATION	
	X-AXIS	Y-AXIS
1	-.047	+.135
2	+.047	+.135
3	+.135	+.047
4	+.135	-.047
5	+.047	-.135
6	-.047	-.135
7	-.135	-.047
8	-.135	+.047



SIZE 11 SQUARE FLANGE
 FRONT PANEL MOUNTING.
 BOARD MOUNT LAYOUT
 PIN CAVITY LOCATIONS

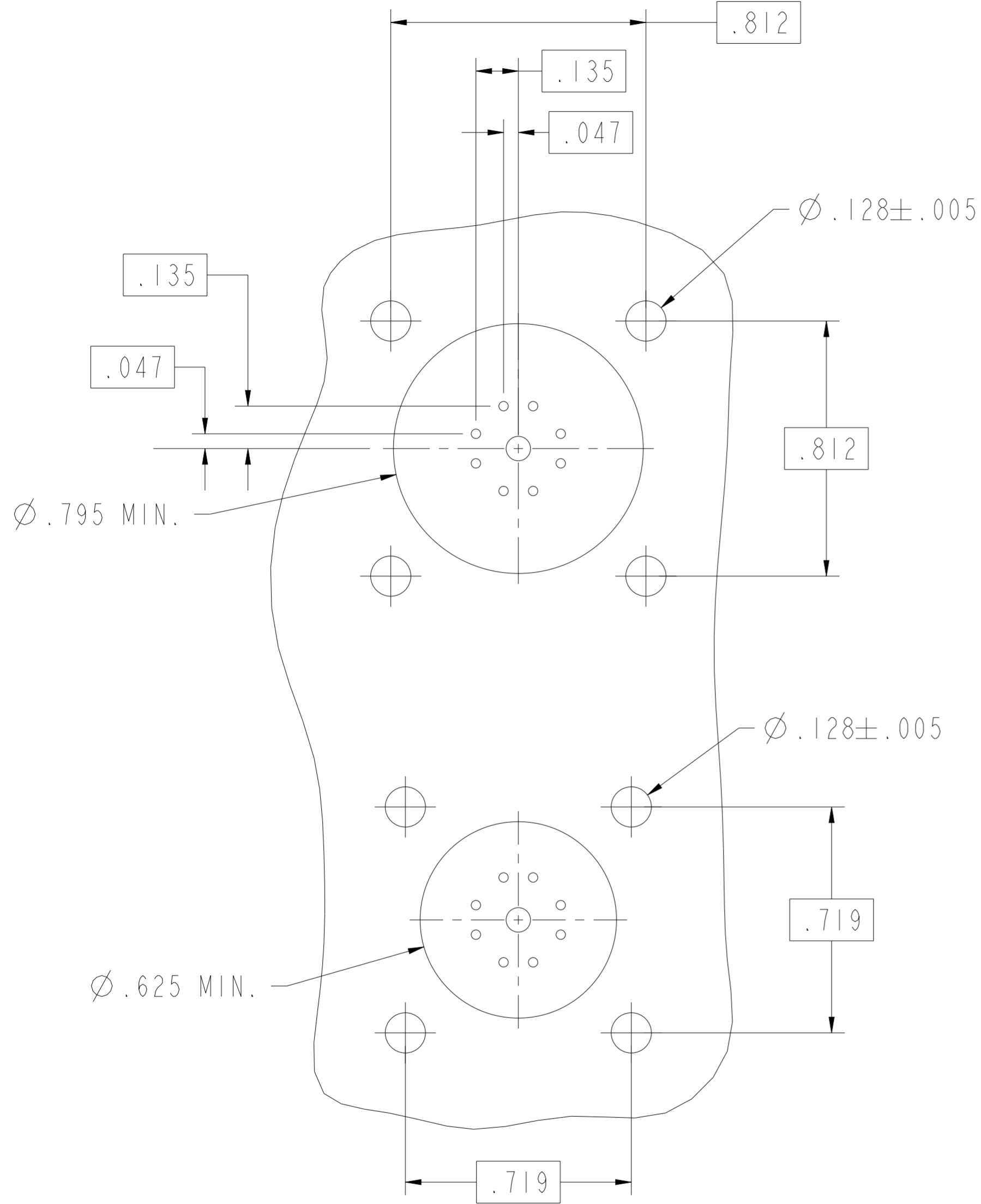
CONTACT CONFIGURATION IDENTIFIER	CONTACT LENGTH ±.025	CONTACT ONE DIAMETER ±.003	CONTACT TWO DIAMETER ±.003	PLATING ON TAIL
A	.762	.025	.095	GOLD OVER NICKEL
B	.830	.025	.095	GOLD OVER NICKEL
C	TBD			
D	TBD			

THIS DRAWING IS A CONTROLLED DOCUMENT.		DWN	140226	TE Connectivity
DIMENSIONS: INCH		CHK	160122	
TOLERANCES UNLESS OTHERWISE SPECIFIED:		APVD	160122	NAME CONNECTOR, RECEPTACLE SQUARE FLANGE 1108 ARRANGEMENT
0 PLC ±1		PRODUCT SPEC	-	
1 PLC ±0.1		APPLICATION SPEC	-	SIZE
2 PLC ±0.01		WEIGHT	-	A2
3 PLC ±0.005		CUSTOMER DRAWING	SCALE 1.000	CAGE CODE
4 PLC ±0.0005		RESTRICTED TO	-	11139
ANGLES ±0.5		REV	B1	DRAWING NO
MATERIAL		SHEET 2 OF 4		C-FCX20x1108xxx
FINISH		REV		-

THIS DRAWING IS UNPUBLISHED. RELEASED FOR PUBLICATION 20
 © COPYRIGHT 20 ALL RIGHTS RESERVED.

PROPERTY OF THE TE CONNECTIVITY
 THIS INFORMATION IS CONFIDENTIAL AND PROPERTY TO TYCO ELECTRONICS CORPORATION
 AND ITS WORLDWIDE SUBSIDIARIES AND AFFILIATES (TE). IT MAY NOT BE DISCLOSED TO
 ANYONE, OTHER THAN TE PERSONNEL, WITHOUT AUTHORIZATION FROM TE (www.TE.com).

LOC		DIST		REVISIONS			
P	LTR	DESCRIPTION		DATE	DWN	APVD	
	-	SEE SHEET 1		-	-	-	



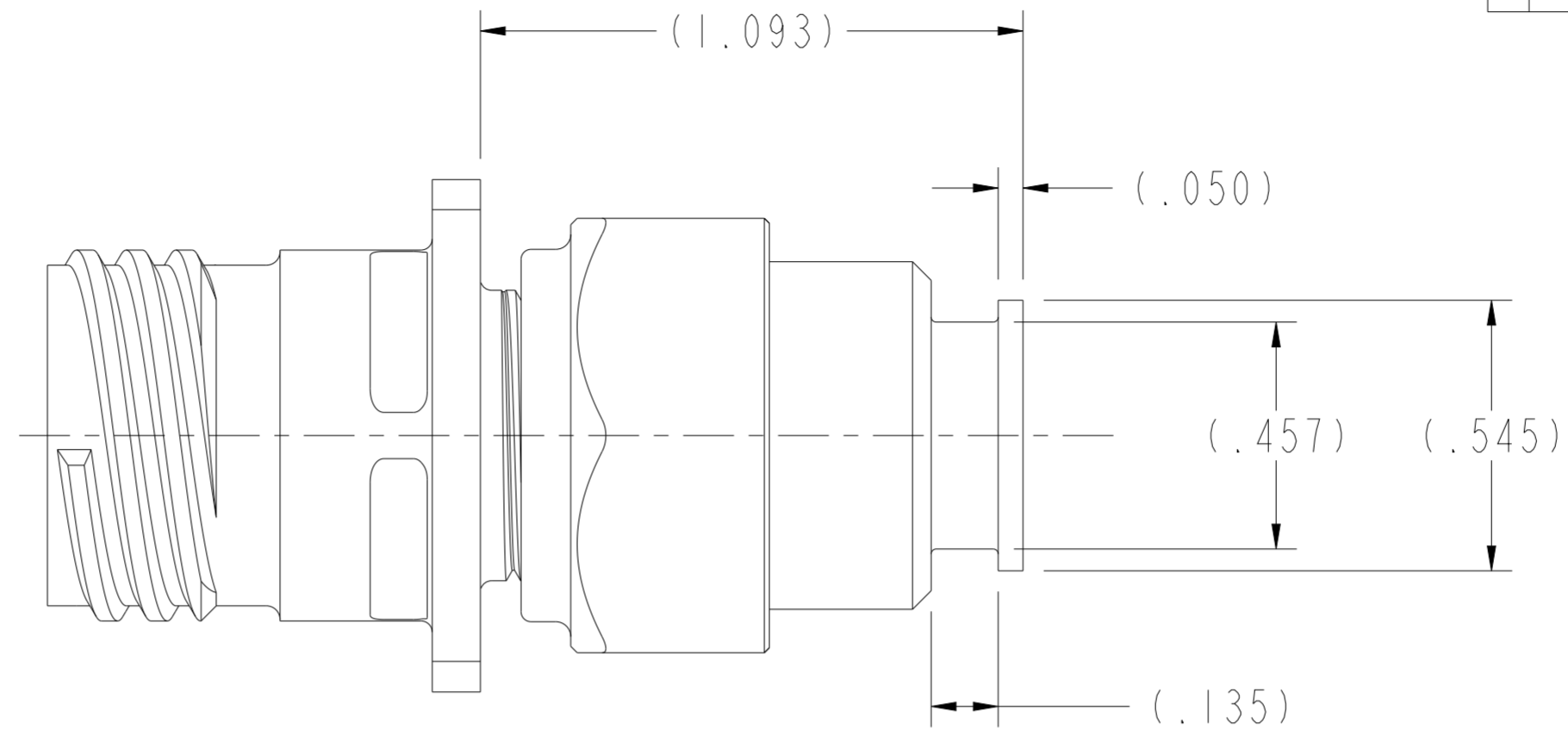
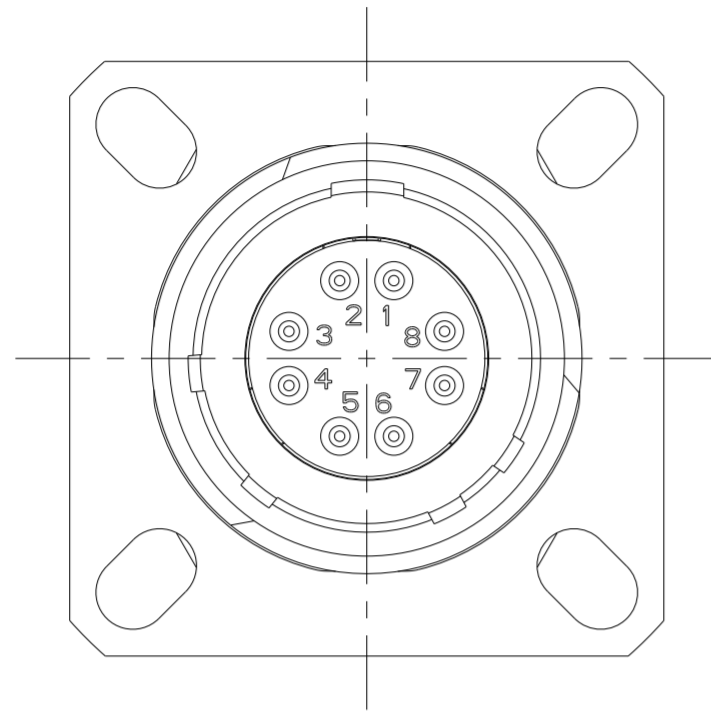
BACK PANEL MOUNTING
 MAX DISTANCE BETWEEN MOUNTING SCREWS

FRONT PANEL MOUNTING
 MAX DISTANCE BETWEEN MOUNTING SCREWS

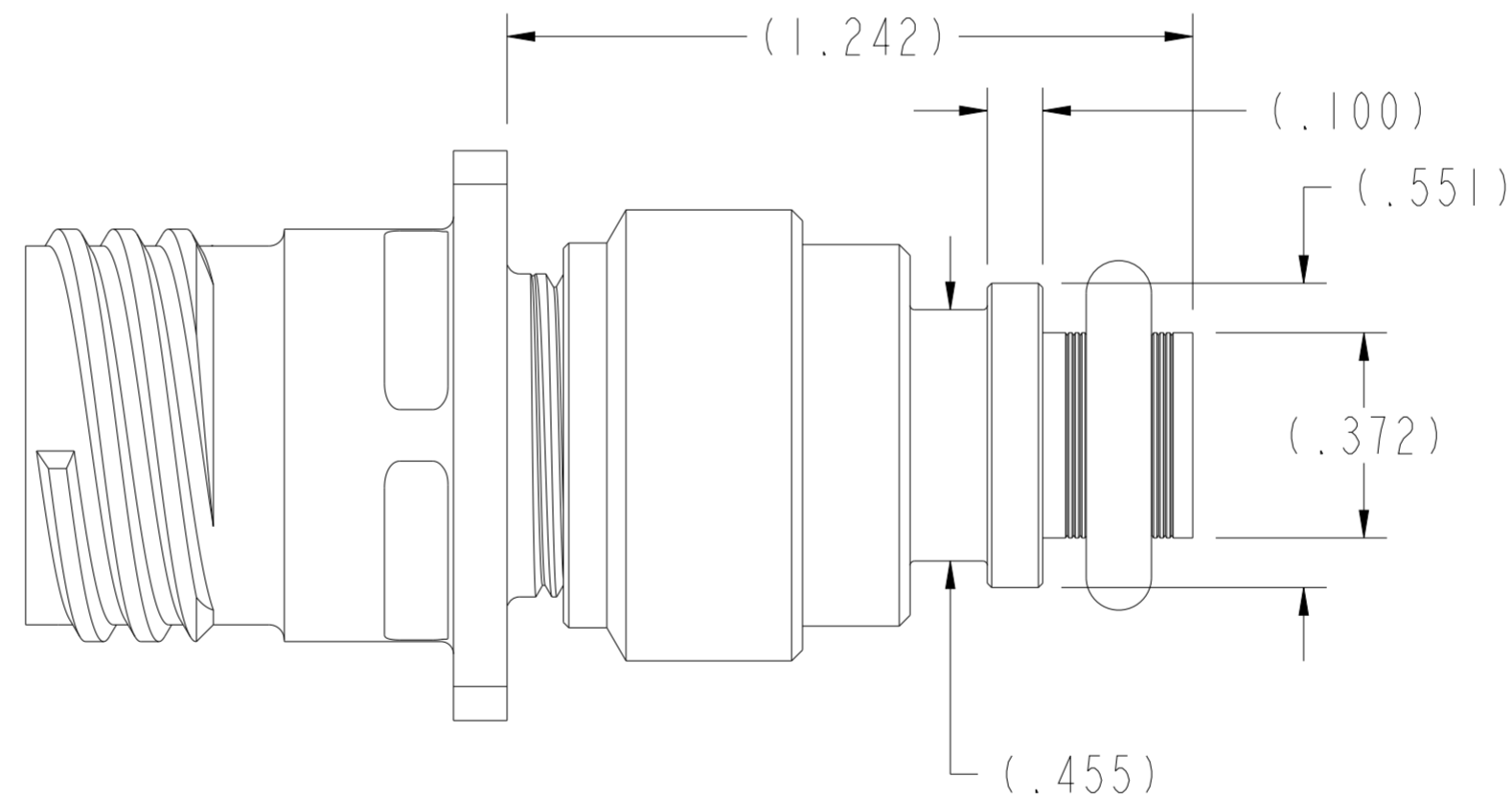
THIS DRAWING IS A CONTROLLED DOCUMENT.		DWN	140226		STE TE Connectivity
		CHK	JPF 160122		
DIMENSIONS: INCH		APVD	AR 160122		NAME CONNECTOR, RECEPTACLE SQUARE FLANGE 1108 ARRANGEMENT
TOLERANCES UNLESS OTHERWISE SPECIFIED: 0 PLC ±.1 1 PLC ±0.1 2 PLC ±0.01 3 PLC ±0.005 4 PLC ±0.0005 ANGLES ±0.5		PRODUCT SPEC	-		
MATERIAL mater_mat_2		APPLICATION SPEC	-		SIZE A2
FINISH finish_spec_2		WEIGHT	-		CAGE CODE 11139
		CUSTOMER DRAWING	SCALE 1.000		DRAWING NO C-CFX20x1108xxx
			SHEET 3 OF 4		RESTRICTED TO -
			REV B1		

THIS DRAWING IS UNPUBLISHED. RELEASED FOR PUBLICATION 20
 © COPYRIGHT 20 ALL RIGHTS RESERVED.


LOC		DIST		REVISIONS			
P	LTR	DESCRIPTION		DATE	DWN	APVD	
-	-	SEE SHEET 1		-	-	-	



RECEPTACLE WITH 1077 MOD: BACKSHELL LESS GROMMET



RECEPTACLE WITH M004 MOD: TINEL LOCK BACKSHELL

THIS DRAWING IS A CONTROLLED DOCUMENT.		DWN	JPF	140226	 TE Connectivity
DIMENSIONS: INCH		CHK	JPF	160122	
TOLERANCES UNLESS OTHERWISE SPECIFIED:		APVD	AR	160122	NAME
0 PLC	±1	PRODUCT SPEC		CONNECTOR, RECEPTACLE	
1 PLC	±0.1	APPLICATION SPEC		SQUARE FLANGE	
2 PLC	±0.01	WEIGHT		1108 ARRANGEMENT	
3 PLC	±0.005	CUSTOMER DRAWING		SIZE	A2
4 PLC	±0.0005	SCALE		CAGE CODE	111139
ANGLES	±0.5	SHEET		DRAWING NO	C-CFX20x1108xxx
FINISH	-	4 OF 4		RESTRICTED TO	-
MATERIAL	material_2	REV		BI	