

Circuits from the Lab[®]
Reference Designs

Circuits from the Lab[®] reference designs are engineered and tested for quick and easy system integration to help solve today's analog, mixed-signal, and RF design challenges. For more information and/or support, visit www.analog.com/CN0509.

Devices Connected/Referenced

| | |
|---------|---|
| LTC7103 | 105 V, 2.3 A Low EMI Synchronous Step-Down Regulator |
| LT8302 | 42 V _{IN} Micropower No Opto Isolated Flyback Converter with 65 V/3.6 A Switch |

Wide Input Voltage Range, Dual USB Port Charger

EVALUATION AND DESIGN SUPPORT

Circuit Evaluation Boards

[CN-0509 Circuit Evaluation Board \(EVAL-CN0509-EBZ\)](#)

Design and Integration Files

[Schematics, Layout Files, Bill of Materials](#)

CIRCUIT FUNCTION AND BENEFITS

Finding a power source to charge cell phones or other USB communication devices can be difficult during emergency situations, such as natural disasters or extended power outages. Chargers operating from ac mains are ubiquitous, but when a power grid is unavailable, and the last USB battery backup charger systems are depleted, how else can critical USB powered devices be charged?

The circuit shown in Figure 1 is a wide input voltage range USB device charger capable of providing 2 A at 5 V for a wide range of dc power sources, including solar panels, fully charged or half discharged car batteries, -48 V telecommunications backup

supplies, random stacks of alkaline battery cells, motors hacked to run as generators, and wind turbines. The CN-0509 includes two USB charging ports that can provide 2 A at 5 V. One port includes a dedicated charging port (DCP) controller that enables the fast charging modes for devices from most manufacturers.

This circuit accepts any dc voltage from 5 V to 100 V and produces an isolated 5 V supply via a standard USB, Type A connector. Isolation prevents faults in situations in which the relationship of the power source to Earth ground is unknown because the outer case of many cell phones and other portable electronics are often electrically connected to USB ground.

The circuit shown in Figure 1 is also protected from reverse voltage conditions. Because the polarity of a makeshift power supply may not be known, the circuit can survive reverse connection to the dc power source. This design contains light emitting diodes (LEDs) that indicate whether the voltage source is connected properly or must be swapped.

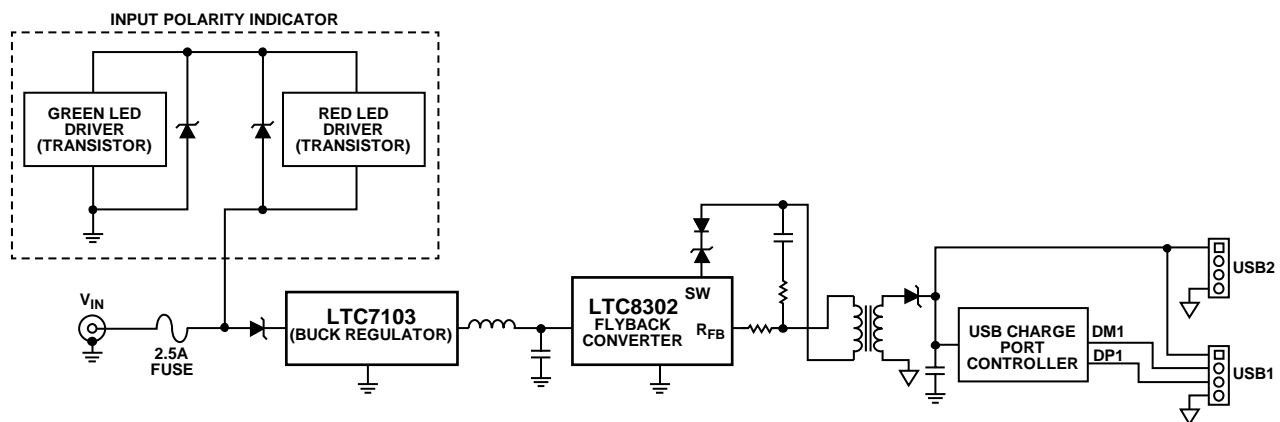


Figure 1. CN0509 Wide Range Isolated Device Charger Simplified Schematic

Rev. 0

Circuits from the Lab[®] reference designs from Analog Devices have been designed and built by Analog Devices engineers. Standard engineering practices have been employed in the design and construction of each circuit, and their function and performance have been tested and verified in a lab environment at room temperature. However, you are solely responsible for testing the circuit and determining its suitability and applicability for your use and application. Accordingly, in no event shall Analog Devices be liable for direct, indirect, special, incidental, consequential or punitive damages due to any cause whatsoever connected to the use of any Circuits from the Lab circuits. (Continued on last page)

CIRCUIT DESCRIPTION

The CN-0509 converts a wide array of dc power sources from 5 V to 100 V into a regulated 5 V, 2 A supply capable of charging USB charged devices through a dual USB, Type A receptacle.

Two output ports are provided, one that leaves the USB D+ and D- signals open for general-purpose charging and one that includes a USB DCP controller that enables the high current charging modes for devices from most manufacturers. Both ports can be used simultaneously. However, the maximum total load current is 2 A.

This design uses a combination of a high efficiency, step-down (buck) dc to dc converter (LTC7103), capable of passthrough operation, and an isolated flyback converter (LT8302). This configuration combines the high power efficiency and wide operating range of a buck converter with the isolation and excellent regulation of a flyback converter.

Input Voltage Protection and LED Driver

The CN-0509 power entry stage is shown in Figure 2. A high voltage Schottky diode and fuse protect the circuit from reverse supply connection and overcurrent conditions.

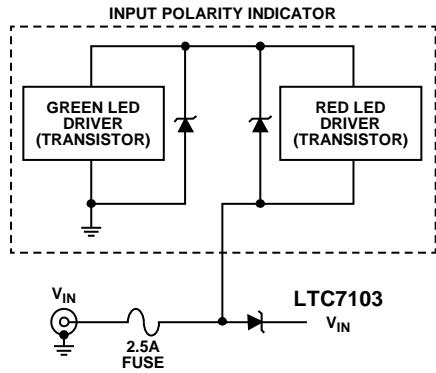


Figure 2. Input Voltage Protection Circuit

Two LEDs indicate the input power, green indicates correct polarity and red indicates a reversed connection. If the red LED appears, the input connections must be reversed for the circuit to operate. While a bridge rectifier could be used to allow operation in either polarity, the additional 400 mV drop increases the minimum operating voltage, which can be an issue when charging from lower voltage sources, such as solar panels or alkaline battery cells.

An active, constant current driver circuit maintains LED current over the entire operating range of the circuit, with minimal variation in brightness. Two circuits are connected in series, however, with opposite polarity (see Figure 3).

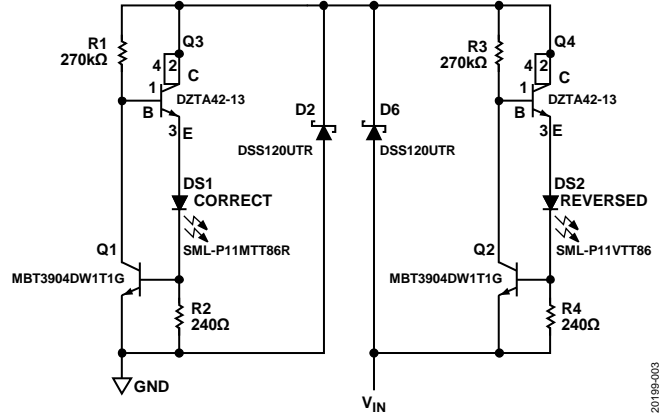


Figure 3. Polarity Indication

When power is applied, current flows through R1, which turns on Transistor Q3. Current then flows through the emitter of Q3, the LED, and R2. As the current increases through R2, the voltage across R2 increases as well. Once the voltage drop across R2 reaches the base to emitter voltage (V_{BE}) of transistor Q1 (approximately 0.7 V), Q1 begins to turn on. The resulting current through R1 reduces the base drive to Q1, effectively limiting current to the LED. This feedback loop maintains the green LED and the red LED current at approximately 2.41 mA and 2.432 mA, respectively, over a voltage range of 11 V to 100 V.

LTC7103 Buck Converter

The power entry circuit is followed by an LTC7103 synchronous buck converter. A buck converter, or step-down switch mode power supply, efficiently reduces a higher dc voltage to a lower voltage with low power dissipation and high power density in a small package relative to a linear regulator of similar current capability.

The dc input is filtered and bypassed by a total of 4.8 μF before going into the input of the buck converter. The LTC7103 then efficiently steps down the wide input voltage range of 12 V to 105 V to a regulated output voltage (V_{OUT}) of 12 V while delivering up to 2.3 A of output current at a 300 kHz switching frequency (f_{sw}).

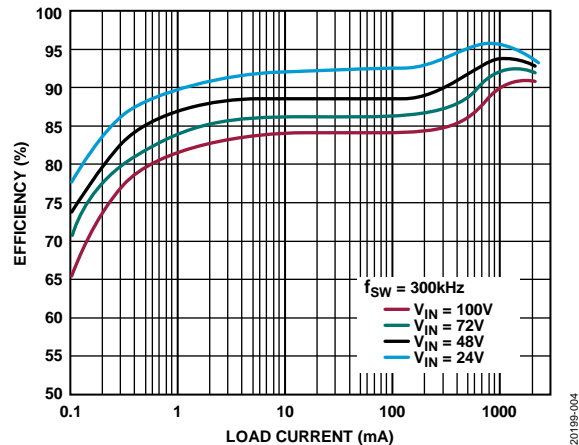


Figure 4. Efficiency at 12 V V_{OUT} and Various Input Voltage Conditions

The LTC7103 includes a selectable precision internal feedback divider, eliminating the need for external precision resistors. The digital state of the V_{PRG1} and V_{PRG2} pins sets the output voltage to one of the nine fixed options between 1.0 V and 15 V. Note that the CN-0509 sets the output to 12 V by tying the V_{PRG1} pin to the $INTV_{CC}$ pin and leaving the V_{PRG2} pin open.

The CN-0509 takes advantage of the ability of the LTC7103 to operate in passthrough mode when the input voltage is between 4.4 V and 12 V (see Figure 5). The isolated flyback stage following the LTC7103 is optimized for 12 V but continues to operate down to voltages as low as 5 V with a reduced output current capability. Passthrough operation allows the circuit to continue to operate as long as possible, even as the voltages of the emergency power source begins to drop.

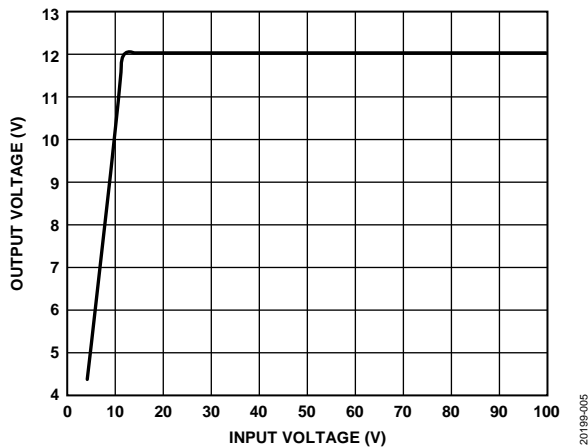


Figure 5. Passthrough Operation for $4.4\text{ V} < V_{IN} < 12\text{ V}$

The architecture of the LTC7103 provides inherent protection against short-circuit conditions without the need for folding back the output current or the oscillator frequency. This protection is made possible because the pulse-width modulation (PWM) comparator is continuously receiving inductor current information from the average current amplifier. This results in automatic cycle skipping under short-circuit conditions if the minimum on time of the top switch is too long to maintain control of the inductor current at the full switching frequency. Typical current-limit operation is shown in Figure 6.

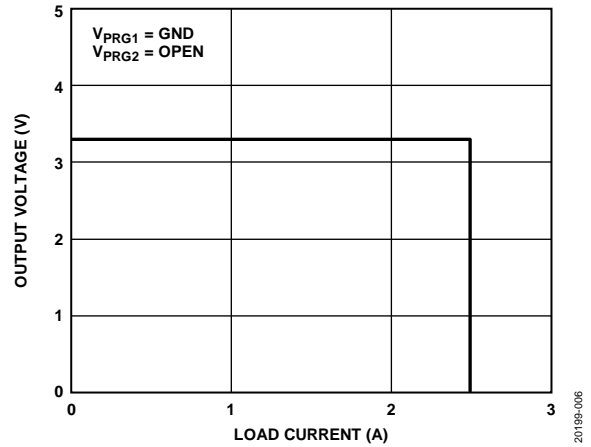


Figure 6. Typical LTC7103 Current-Limit Operation

LT8302 Flyback Converter

The buck stage is followed by an LT8302 micropower, no opto, isolated flyback converter. The LT8302 maintains regulation by indirectly sensing the output voltage by sampling the primary side flyback waveform, eliminating the need for optocouplers or a third sense winding on the coupled inductor.

Isolation is essential in this application because the polarity and ground connections of a makeshift power source may not be known or may inherently be incorrect for a charging application by design. A -48 V telecommunications supply is a common example (see Figure 7).

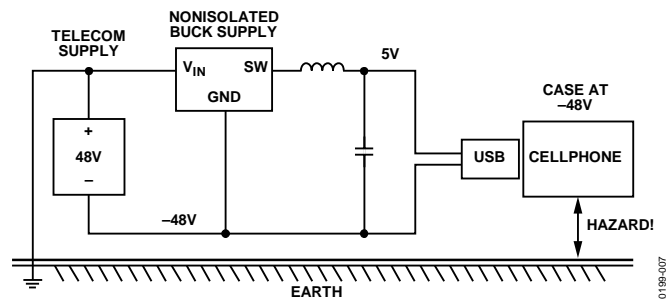


Figure 7. Ground Fault Condition

Telecommunication supplies are negative with respect to Earth ground to prevent galvanic corrosion of wires. Therefore, a charger based on a nonisolated buck converter ties the outer case of a cell phone to -48 V , posing a hazard if the case comes into contact with a grounded object. Similar situations can occur with improperly wired solar panels or generators.

In addition to providing isolation, the [LT8302](#) further steps down the 12 V output from the buck converter to 5 V. V_{OUT} is programmed using two external resistors and a third optional temperature compensation resistor as follows:

$$R_{FB} = \frac{R_{REF} \times N_{PS} \times (V_{OUT} + V_F(T0))}{V_{REF}}$$

where:

R_{FB} is the LT8302 feedback resistor.

R_{REF} is the LT8302 reference resistor.

N_{PS} is the transformer effective primary to secondary turns ratio.

V_{OUT} is the output voltage.

$V_F(T0)$ is the output diode forward voltage at 25°C = ~0.3 V.

V_{REF} is the LT8302 internal voltage reference.

Figure 8 shows the typical maximum output power at 5 V V_{OUT} for common winding ratio values at various input voltages. The CN-0509 transformer has a 3:1 turns ratio for a maximum V_{OUT} of approximately 10 W.

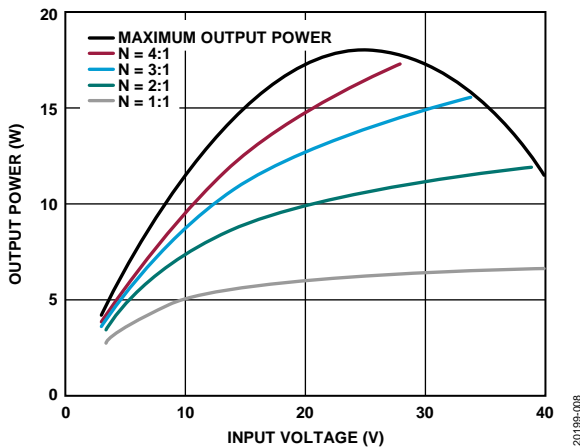


Figure 8. Typical Maximum Output Power at 5 V V_{OUT}

Fast Charging Up to 2 A

USBs have become a defacto standard for device charging, and typical chargers can deliver more than the minimum 500 mA USB 2.0 specification. Chargers must provide a special voltage signature on USB data lines to let the device recognize itself and to determine the maximum charging current it can draw from the power source, which can be higher than the 500 mA minimum standard.

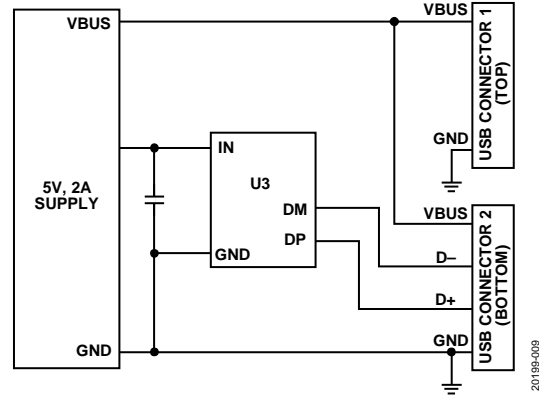


Figure 9. USB Dedicated Charging Port Controller

U3 is a DCP controller that monitors the USB data line voltages (D+ and D-) and provides signatures for enabling fast charging modes for several common device manufacturers (see Figure 9). While both ports can be used simultaneously up to a maximum total load current of 2 A, when using the DCP port, leaving the other port disconnected is recommended.

Note that the quality of USB cables varies significantly. Long, small gauge cables can result in significant voltage drop at the load.

System Performance

CN-0509 operation is nearly constant for any input voltage between 12 V and 100 V because the input to the isolated converter is at a constant 12 V. Lower input voltage reduces the available charging current according to Figure 10.

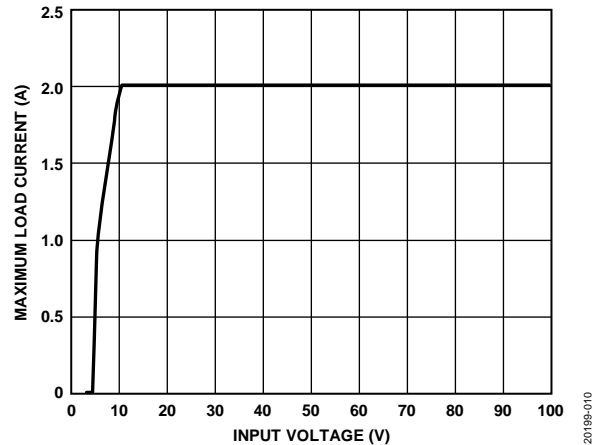


Figure 10. Maximum Load Current vs. Input Voltage

Reverse Input Survival

The CN-0509 is able to survive reverse input connections up to 100 V. Figure 11 shows the reverse input to the CN-0509 vs. the LTC7103 V_{IN} .

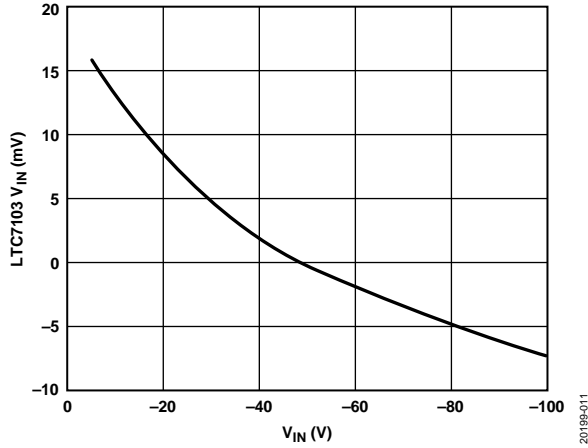


Figure 11. LTC7103 V_{IN} vs. V_{IN}

Load Regulation

Figure 12 shows that the load regulation of the CN-0509 across input voltages above 12 V is within 65 mV because the load increases from 0.1 A to 2 A, corresponding to an output impedance of approximately 32.3 m Ω .

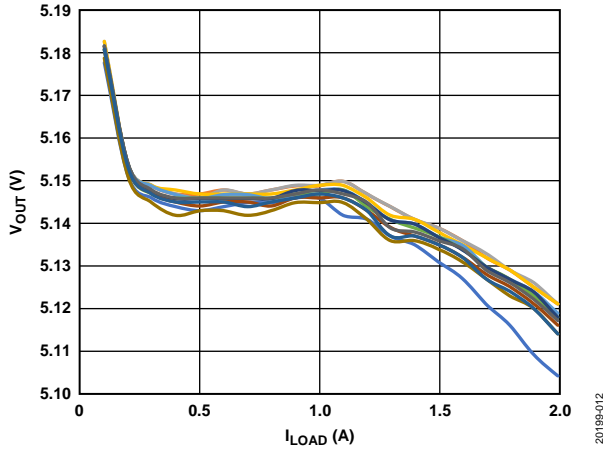


Figure 12. V_{OUT} vs. Load Current (I_{LOAD})

Load Connection Transient

Figure 13 and Figure 14 show the CN-0509 turn on transient curves for the current and USB data lines for a cell phone (Phone A) and USB power bank (Power Bank B), respectively.

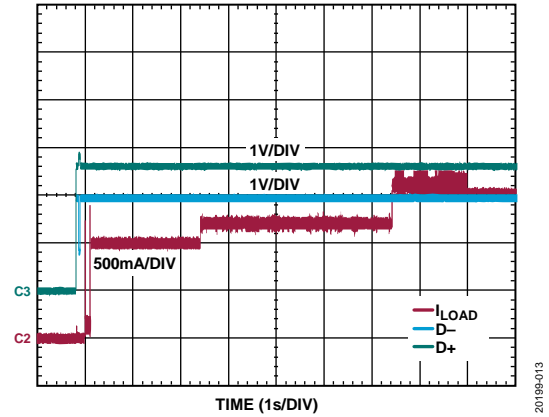


Figure 13. I_{LOAD} , D+, and D- Voltages of Phone A Charging

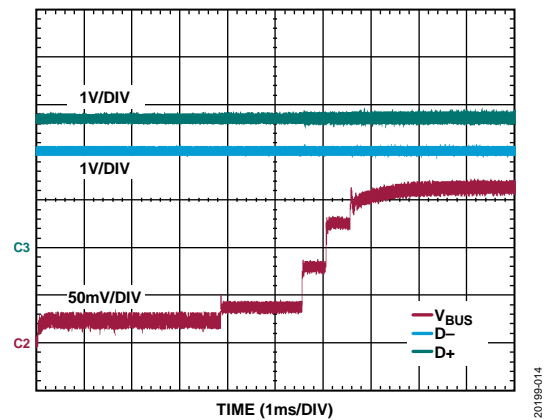


Figure 14. Bus Voltage (V_{BUS}), D+, and D- Voltages of Power Bank B

Thermal Performance

Figure 15 displays the thermal response of CN-0509 while charging a load at 5.62 V, 2 A for one hour with the board positioned horizontally above a workbench in still air at 25°C ambient. The maximum temperature on the EVAL-CN0509-EBZ board occurs on the D3 diode at 83.8°C, well below the maximum operating temperature of 150°C.



Figure 15. Thermal Image of EVAL-CN0509-EBZ at 5.62 V, 2 A Output Charging a Load for One Hour

COMMON VARIATIONS

If mains supplies are available, the EVAL-CN0509-EBZ can turn a wide variety of random offline power supplies into a USB charger. Such supplies include laptop chargers, game console chargers, and computer peripheral power supplies.

Using a Schottky bridge rectifier at power entry allows operation regardless of input polarity. However, this input configuration is at the expense of a 0.4 V increase in minimum operating voltage over using a single protection diode. For example, a V_{IN} of 12.4 V is required for the full 2 A output current.

CIRCUIT EVALUATION AND TEST

For complete setup details and additional information on the CN-0509, see the [CN0509 User Guide](#).

Equipment Needed

The following equipment is needed :

- A dc power supply (any voltage, 5 V to 100 V)
- The EVAL-CN0509-EBZ evaluation board
- A Klein Tools® ET910 USB multimeter tester (or equivalent)
- A MicroUSB to USB Type A cable
- A device with USB charging capability (cell phone, tablet, or portable power pack) and a USB charging cable for the device

Test Setup and Functional Block Diagram

A functional block diagram of the test setup is shown in Figure 16.

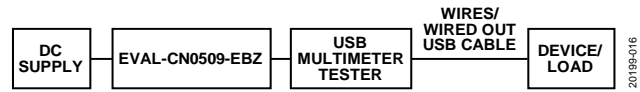


Figure 16. Functional Block Diagram of the Test Setup

Setup and Test

Take the following steps for test setup:

1. Connect the input dc supply to P1 on the CN-0509. Use caution when connecting high input voltages.
2. Upon turning on the dc input, the CN-0509 turns on. The circuit determines if the input connection is in correct polarity through lighting DS1 or DS2.
 - a. If DS1 (green LED) illuminates, the correct polarity is on the input, and the circuit delivers up to 10 W on P2, the USB output ports.
 - b. If DS2 (red LED) illuminates, turn off the input supply, disconnect the power inputs, swap the power leads, reconnect the supply outputs to P1, then repeat Step 2.
3. Connect the USB cable from the ET910 USB multimeter tester to the lower USB port on the EVAL-CN0509-EBZ.
4. Connect a fast charge capable device from the ET910 USB multimeter tester using the charging cable of the device.
5. Look at the ET910 USB multimeter tester and verify that the device is pulling more than 500 mA but less than 2 A (see Figure 17).
6. Swap the USB port on the EVAL-CN0509-EBZ from the lower (DCP) port to the upper USB port.
7. Look at the ET910 USB multimeter tester and verify that the device is pulling approximately 500 mA (see Figure 17).



Figure 17. ET910 USB Multimeter Tester Screenshot of Phone A Charging from the Top USB Port (Left) vs. the Lower Port with the DCP Controller (Right)

LEARN MORE

CN0509 Design Support Package:

<https://www.analog.com/CN0509-DesignSupport>

CN0509 User Guide

Triggs, Robert. (June 30, 2019). *How fast charging really works*. Android Authority.

Sengupta, Anirban. (January 14, 2016). *Introduction to USB Power Delivery*. ElectronicDesign.

Data Sheets and Evaluation Boards

[LTC7103 Data Sheet](#)

[LT8302 Data Sheet](#)

[DC2317A Demonstration Circuit](#)

[DC2014A Demonstration Circuit](#)

REVISION HISTORY

11/2020—Revision 0: Initial Version

(Continued from first page) Circuits from the Lab reference designs are intended only for use with Analog Devices products and are the intellectual property of Analog Devices or its licensors. While you may use the Circuits from the Lab reference designs in the design of your product, no other license is granted by implication or otherwise under any patents or other intellectual property by application or use of the Circuits from the Lab reference designs. Information furnished by Analog Devices is believed to be accurate and reliable. However, Circuits from the Lab reference designs are supplied "as is" and without warranties of any kind, express, implied, or statutory including, but not limited to, any implied warranty of merchantability, noninfringement or fitness for a particular purpose and no responsibility is assumed by Analog Devices for their use, nor for any infringements of patents or other rights of third parties that may result from their use. Analog Devices reserves the right to change any Circuits from the Lab reference designs at any time without notice but is under no obligation to do so.

©2020 Analog Devices, Inc. All rights reserved. Trademarks and registered trademarks are the property of their respective owners.
CN20199-11/20(0)

