

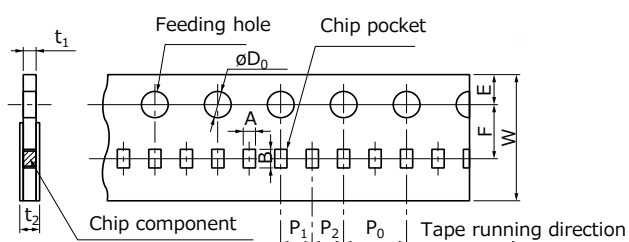
# Multilayer Varistors (Automotive grade) EZJZ-M, EZJP-M series / Packaging

## Packaging methods (Taping)

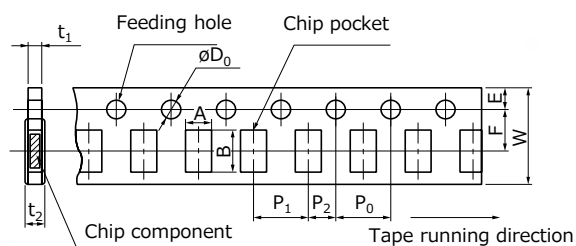
### ● Standard quantity

Series	Size code (inch size)	Thickness (mm)	Kind of taping	Pitch (mm)	Quantity (pcs/reel)
EZJZ, EZJP	0 (0402)	0.5	Punched carrier taping	2	10,000
	1 (0603)	0.8		4	4,000

### ● 2 mm Pitch (Punched carrier taping) Size 0402



### ● 4 mm Pitch (Punched carrier taping) Size 0603



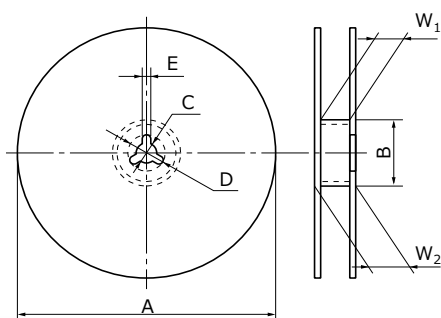
Unit : mm

Code	A	B	W	F	E	P <sub>1</sub>	P <sub>2</sub>	P <sub>0</sub>	øD <sub>0</sub>	t <sub>1</sub>	t <sub>2</sub>
EZJZ	0.62	1.12	8.0	3.50	1.75	2.00	2.00	4.0	1.5	0.7	1.0
EZJP	±0.05	±0.05	±0.2	±0.05	±0.10	±0.05	±0.05	±0.1	+0.1 0	max.	max.

Unit : mm

Code	A	B	W	F	E	P <sub>1</sub>	P <sub>2</sub>	P <sub>0</sub>	øD <sub>0</sub>	t <sub>1</sub>	t <sub>2</sub>
EZJZ	1.0	1.8	8.0	3.50	1.75	4.0	2.00	4.0	1.5	1.1	1.4
EZJP	±0.1	±0.1	±0.2	±0.05	±0.10	±0.1	±0.05	±0.1	+0.1 0	max.	max.

### ● Reel for taping

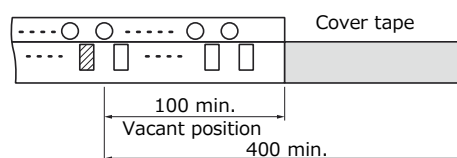


Unit : mm

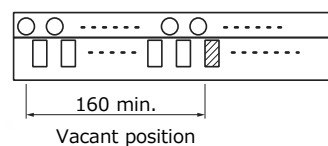
Code	A	B	C	D	E	W <sub>1</sub>	W <sub>2</sub>
EZJZ	ø180	ø60.0	13.0	21.0	2.0	9.0	11.4
EZJP	<sup>0</sup> / <sub>-3</sub>	<sup>+1.0</sup> / <sub>0</sub>	±0.5	±0.8	±0.5	<sup>+1.0</sup> / <sub>0</sub>	±1.0

### ● Leader part and taped end

Leader part



Tape end



Unit : mm

■ As for packaging methods, handling precautions please see data files