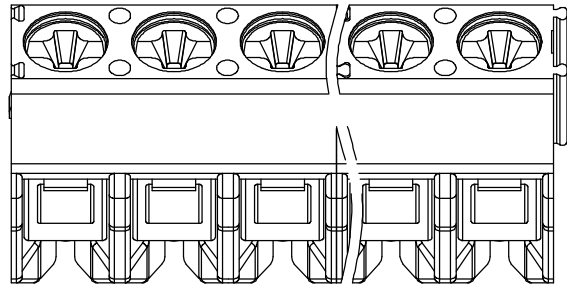


SIGN	DATE	DESCRIPTION	APPROVER
△	07/09'13	update the drawing	Guoxue
THIS IS CAD DRAWING, DO NOT REVISE MANUALLY!!!			

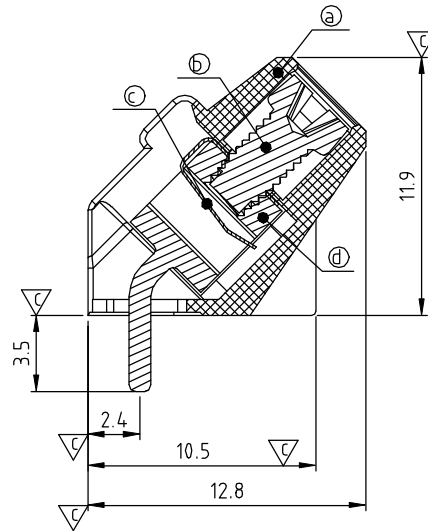
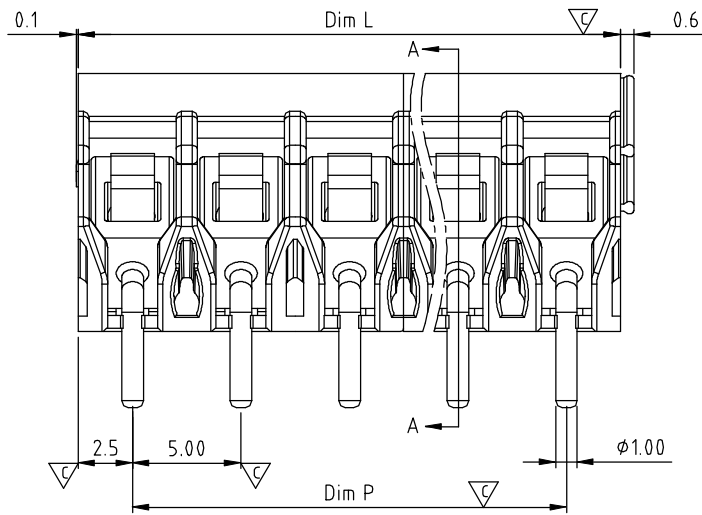


Materials

- Item a Terminal housing: PA66 (UL94V-0)
- Item b Terminal screw: Steel Zinc plating "+/-" slot type
- Item c Wire guard :Stainless steel
- Item d Terminal body :Brass(CuZn) ,Tin Plated

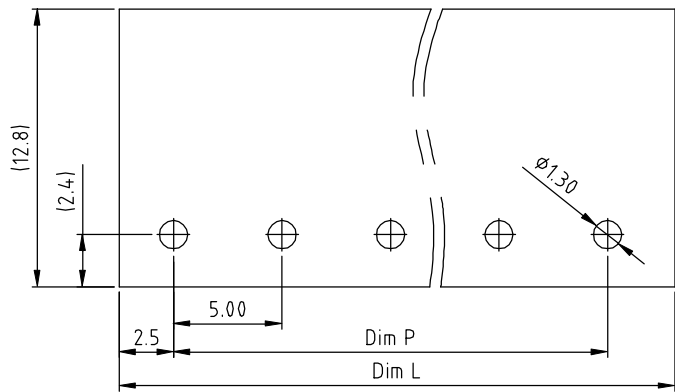
Electrical cULus

- Voltage rating: 300VAC
- Current rating: 15A
- Wire range:
- Solid wire(AWG): 12-26
- Stranded wire(AWG): 12-26
- △ ● Torque(Lb-In): 2.4
- Screw: M2.6
- Wire strip length: 5-6mm
- Withstanding Voltage: 1.6KV
- Operating temperature: -40°C to +115°C
- △ ● Soldering temperature: 260°C±5°C/5 Sec
- △ ● Safety Approval: cULus
- Critical dimension: ▽



△ KZ xx 7 0 x 0 xxxx G

- End stackable
- 02 2 POLES
 - 03 3 POLES
 -
 - 24 24 POLES
- COLOR
- 0 Black
 - 2 Red (RAL3001/D)
 - 3 Orange(RAL2011/P)
 - 4 Yellow(RAL1018/A)
 - 5 Green(RAL6018/T)
 - 6 Blue (RAL5015/A)
 - 8 Grey(RAL7035/D)
 - 9 White
 - C Green(RAL 6018/U)
- RoHS compliant (lead<4%)
In copper Alloy
- 0000: "@ " Logo (Standard)
000A: "ANYTEK" Mark
- Any special item by customer request. please contact sales department.



N = Number of poles
Dim L = N x 5.0
Dim P = (N - 1) x 5.0

Poles	Dim. Dim L	Dim P
2-6p	±0.15	±0.15
7-12p	±0.25	±0.25
13-18p	±0.35	±0.35
19-24p	±0.40	±0.40

ANYTEK		CUSTOMER COPY	
ALL RIGHTS RESERVED. REPRODUCTION OR ISSUE TO THIRD PARTIES IN ANY FORM WHATSOEVER IS NOT PERMITTED WITHOUT WRITTEN AUTHORITY FROM THE PROPRIETOR. PROPERTY OF ANYTEK TECHNOLOGY CO., LTD			
TITLE	KZ 5.0 Series ("+/-" Screw & Square hole)		
PART NO.	KZxx70x0xxxxG	DWG NO.	8KZ0101
APPROVED	CHECKED	DESIGNED	DRAWN
		Guoxue 2013.07.09	Guoxue 2013.07.09
SHEET: 01/01		Tolerance	
UNIT: mm		X. ±0.5	
SCALE: NONE		X.X ±0.3	
REV.: C		X.XX ±0.1	
		X° ±1°	