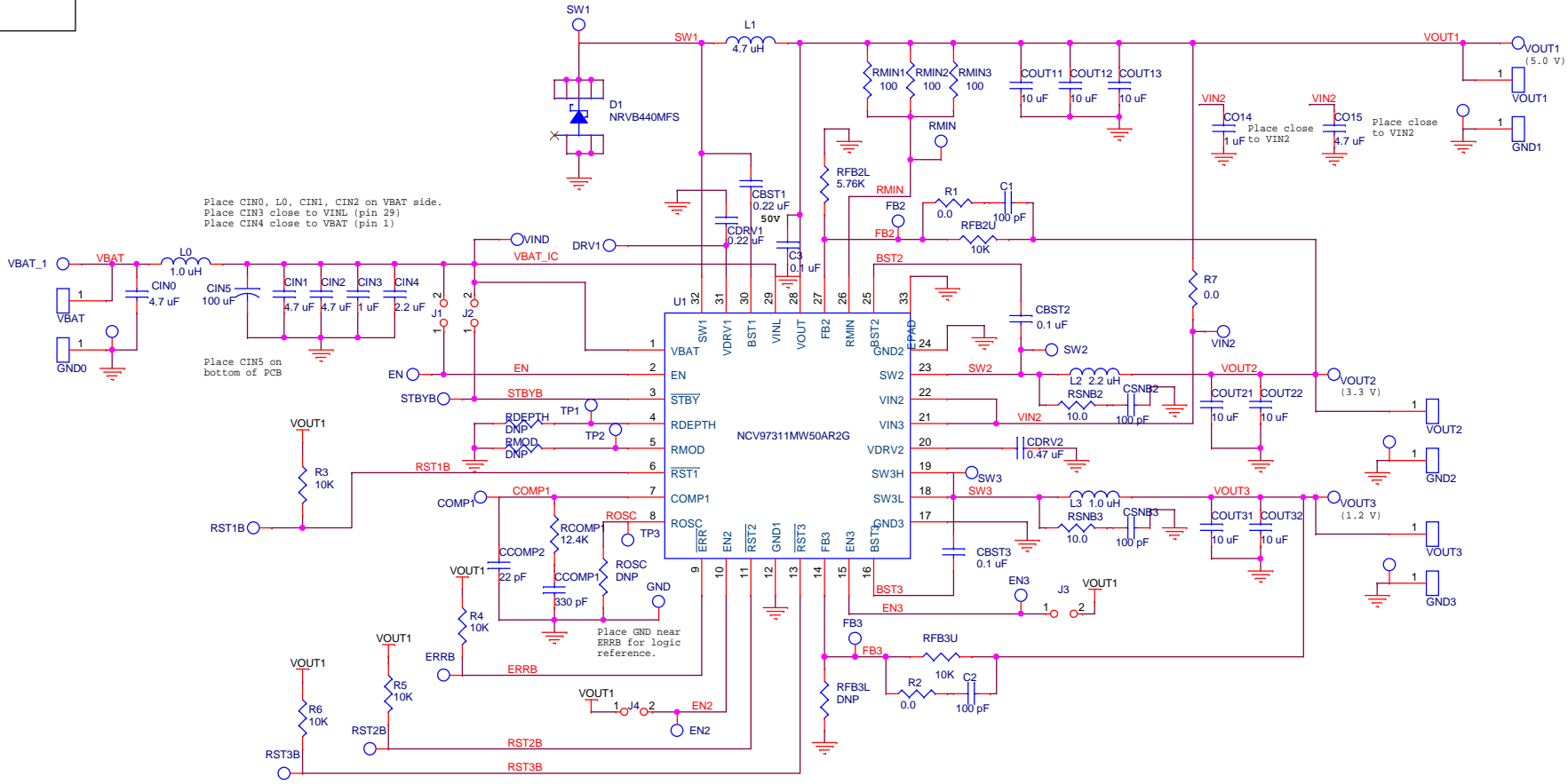


Layer 1: Routing & Ground
 Layer 2: Ground
 Layer 3: VBAT_VOUT1
 Layer 4: Routing & Ground

*All grounds flow through all layers.



Place CIN0, L0, CIN1, CIN2 on VBAT side.
 Place CIN3 close to VINL (pin 29)
 Place CIN4 close to VBAT (pin 1)

Place CIN5 on bottom of PCB

Place GND near ERBB for logic reference.

Title		
NCV97311MW50AGEVB Schematic		
Size B	Document Number Main Page	Rev 1.0
Date:	Tuesday, March 26, 2019	Sheet 1 of 1