

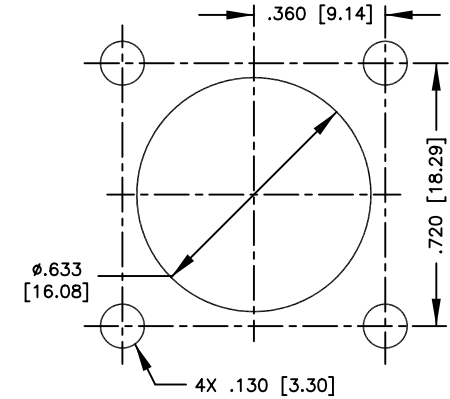
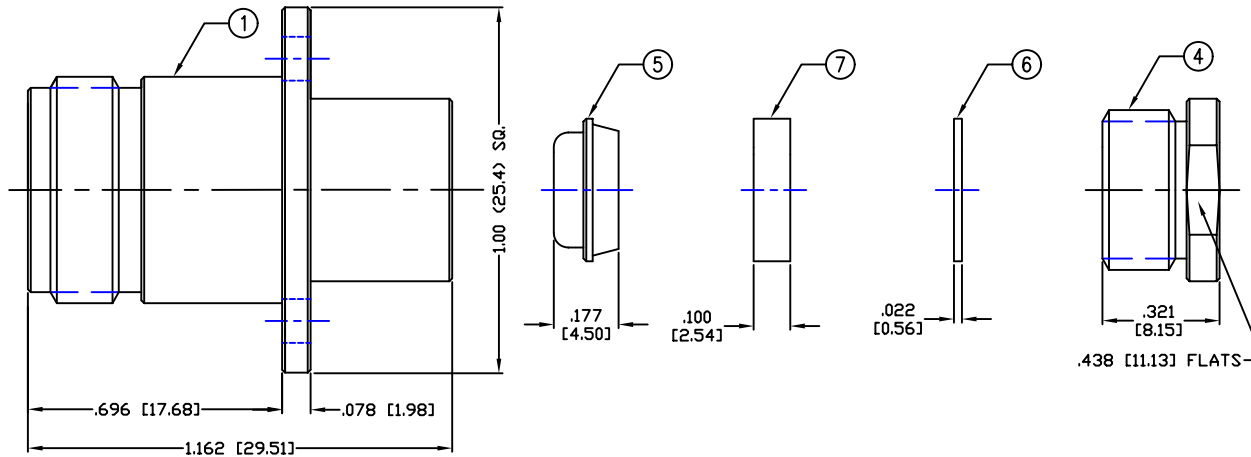
THIS DRAWING CONTAINS INFORMATION PROPRIETARY TO RF INDUSTRIES,
 ANY UNAUTHORIZED USE OF THIS DRAWING IS EXPRESSLY PROHIBITED
 WITHOUT WRITTEN PERMISSION FROM RF INDUSTRIES.
 ANY VIOLATION IS PUNISHABLE UNDER U.S. COPYRIGHT LAWS.

PART NO.

RFN-1021-6

REV	DESCRIPTION	DWN	DATE	APPROVED
B	CREATE SECTION DRAWING	KMM	5/18/94	R. RICE
C	CHG DIMS THROUGHOUT TO STANDARDIZE/CON NOW P. BRONZE	CZS	9/9/99	R. RICE
D	CHANGE CON MATERIAL, BODY ID & CLAMP OD & LENGTH	CZS	10/26/99	R. RICE
E	CHANGE FORMAT, SPECS & DWG # 8352	GGG	8/27/01	JDMc

ALL DIMENSIONS ARE REFERENCE ONLY

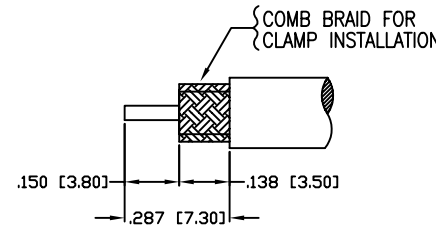


SUGGESTED MOUNTING CONFIGURATION

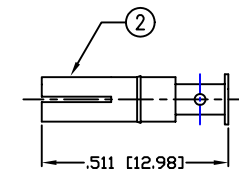
SPECIFICATIONS:

IMPEDANCE: 50 Ohms
 FREQUENCY RANGE: 0-11 GHz
 VSWR: 1.3 Max. @ 9 GHz
 INSERTION LOSS: .06 dB Max. X \sqrt{f} GHz
 WORKING VOLTAGE: 1k V rms @ sea level
 TEMPERATURE RANGE: -65°C TO 165°C
 INSULATION RESISTANCE: 5k M Ohms min.

(C) FOR RG-58, 58A, 58C, 141, 141A, BELDEN 8240,
 8262, 9201, 9203, 9310, 9311 & COMM/SCOPE 0268
 (C1) FOR RG-55, 55A, 55B, 142, 142A, 142B, 223/U & 400/U,
 ALPHA 9055, 9055B, 9223, BELDEN 8219, 83242, 84142, & 9907



RECOMMENDED STRIPING DIMS



RECOMMENDED CRIPING DIE: .068

1	BODY	1	BRASS	SILVER, 80 μ "	000486
2	PIN	1	BRASS	GOLD, 3 μ "	
3	DIELECTRIC	1	PTFE	---	
4	BACK NUT	1	BRASS	SILVER, 80 μ "	
5	CLAMP	1	BRASS	SILVER, 80 μ "	
6	WASHER	1	BRASS	SILVER, 80 μ "	
7	GASKET	1	S.I.RUBBER	---	
8	GROUND RING	1	BRASS	SILVER, 80 μ "	
9					
10					
11					
12					
13					
14					

UNLESS OTHERWISE SPECIFIED:
 1. REMOVE ALL BURRS
 2. BREAK ALL CORNERS & EDGES .005 R. MAX.
 3. CHAMFER 1ST & LAST THREADS 45°
 4. SURFACE ROUGHNESS 63 FINISH MIL-STD-10
 5. DIAMETERS ON COMMON CENTERS TO BE CONCENTRIC WITHIN .002 T.I.R.
 6. ALL DIMENSIONS ARE AFTER PLATING.

DIMENSIONS ARE IN INCHES AND [MILLIMETERS]
 UNLESS OTHERWISE NOTED TOLERANCES ARE:
 DECIMALS .XXX±.003 [.08]
 .XX±.005 [.13]
 DIAMETER .XXX±.001 [.03]
 .XX±.003 [.08]

RFconnectors
 DIVISION OF RF INDUSTRIES, LTD.

7610 MIRAMAR RD
 SAN DIEGO, CA 92126
 (858) 549-6340
 (858) 549-6345 FAX

N JACK, CLAMP

4 HOLE FLANGE

SIZE	CABLE GROUP	DWG NO.	REV
A	C, C1	RFN-1021-6	E
SCALE:	NTS	CAD FILE OUTLINE	SHEET 1 OF 1