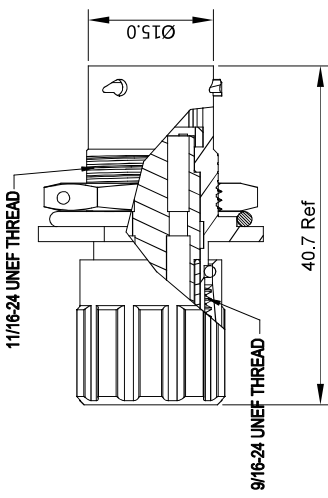
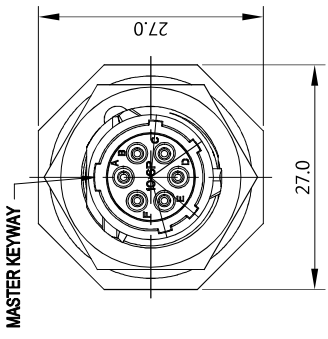
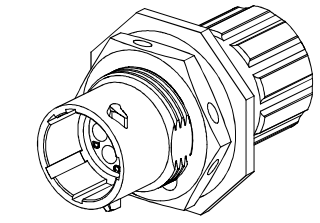


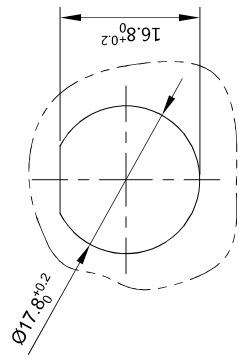
REVISIONS

REV	ECO	DESCRIPTION	DATE	BY	APPR
B1	-	RELEASED DRAWING	July-04-2014	Ben	Tommy
B2	-	MODIFY THE INSERT LETTER LOCATION	May-20-2016	Ben	Tommy
B3	-	ADAPT TO CHANGE OF WIIRE DIAMETER	Jan-7-2020	Ronald	Tommy



NOTES : (UNLESS OTHERWISE SPECIFIED)

- MATERIAL :
  - SHELL : ZINC ALLOY , NICKEL PLATED.
  - INSERT : THERMOPLASTIC , UL94 V-0.
  - END CAP : THERMOPLASTIC , UL94 V-0.
  - JAM NUT : AI ALLOY , NICKEL PLATED.
  - O-RING : NBR/SILICONE RUBBER.
  - SEAL GASKET : NBR/SILICONE RUBBER.
  - WIRE SEAL : SILICONE RUBBER.
  - PLASTIC BUSHING : THERMOPLASTIC , UL94 V-0.
- SPECIFICATIONS :
  - 2.1 RATED CURRENT :
    - 2.1.1 STAMPED CONTACT 5A (MAX).
    - 2.1.2 MACHINED CONTACT 7.5A(MAX).
  - 2.2 RATED VOLTAGE : 250V ( AC/DC ) .
  - 2.3 OPERATING TEMPERATURE : SEE CHART.
  - 2.4 DIELECTRIC WITHSTANDING VOLTAGE : LESS THAN 2 MILLIAMPS CURRENT LEAKAGE@1500 VOLTS AC.
  - 2.5 INSULATION RESISTANCE : 5000 MEGOHMS MIN.
  - 2.6 IP--CLASS : IP67 (MATED CONDITION).
  - 2.7 MATING CYCLES DURABILITY : 500 CYCLES(MIN).
  - 2.8 RoHS COMPLIANT.
- SUITABLE CONTACTS : 20# CONTACTS.
- ALL DIMENSIONS ARE FOR REFERENCE USE ONLY.
- CONTACT SIZE AND REAR SEAL WIRE RANGE :



PANEL CUT OUT REFERENCE

KEY POS	PART NUMBER	
	-40°C ~ 105°C	-40°C ~ 125°C
N	RT0W7106PNHEC	RT0W7106PNHEC03
W	RT0W7106PWHEC	RT0W7106PWHEC03
X	RT0W7106PXHEC	RT0W7106PXHEC03
Y	RT0W7106PYHEC	RT0W7106PYHEC03
Z	RT0W7106PZHEC	RT0W7106PZHEC03

QUANTITY	PART NUMBER	DESCRIPTION	ITEM
<b>MATERIALS LIST</b>			
UNLESS OTHERWISE SPECIFIED (See comments):		DATE	
1) Tolerances are as follows:		Initial	
2) PL DEC 20-20		Jan-7-2020	
3) PL DEC 20-20		Checked	
4) PL DEC 20-20		August 21	
5) Note reference =		APPROVAL	
6) Note reference =		APPROVAL	
7) Note reference =		APPROVAL	
8) Note reference =		APPROVAL	
9) Note reference =		APPROVAL	
10) Note reference =		APPROVAL	
11) Note reference =		APPROVAL	
12) Note reference =		APPROVAL	
13) Note reference =		APPROVAL	
14) Note reference =		APPROVAL	
15) Note reference =		APPROVAL	
16) Note reference =		APPROVAL	
17) Note reference =		APPROVAL	
18) Note reference =		APPROVAL	
19) Note reference =		APPROVAL	
20) Note reference =		APPROVAL	
21) Note reference =		APPROVAL	
22) Note reference =		APPROVAL	
23) Note reference =		APPROVAL	
24) Note reference =		APPROVAL	
25) Note reference =		APPROVAL	
26) Note reference =		APPROVAL	
27) Note reference =		APPROVAL	
28) Note reference =		APPROVAL	
29) Note reference =		APPROVAL	
30) Note reference =		APPROVAL	
31) Note reference =		APPROVAL	
32) Note reference =		APPROVAL	
33) Note reference =		APPROVAL	
34) Note reference =		APPROVAL	
35) Note reference =		APPROVAL	
36) Note reference =		APPROVAL	
37) Note reference =		APPROVAL	
38) Note reference =		APPROVAL	
39) Note reference =		APPROVAL	
40) Note reference =		APPROVAL	
41) Note reference =		APPROVAL	
42) Note reference =		APPROVAL	
43) Note reference =		APPROVAL	
44) Note reference =		APPROVAL	
45) Note reference =		APPROVAL	
46) Note reference =		APPROVAL	
47) Note reference =		APPROVAL	
48) Note reference =		APPROVAL	
49) Note reference =		APPROVAL	
50) Note reference =		APPROVAL	
51) Note reference =		APPROVAL	
52) Note reference =		APPROVAL	
53) Note reference =		APPROVAL	
54) Note reference =		APPROVAL	
55) Note reference =		APPROVAL	
56) Note reference =		APPROVAL	
57) Note reference =		APPROVAL	
58) Note reference =		APPROVAL	
59) Note reference =		APPROVAL	
60) Note reference =		APPROVAL	
61) Note reference =		APPROVAL	
62) Note reference =		APPROVAL	
63) Note reference =		APPROVAL	
64) Note reference =		APPROVAL	
65) Note reference =		APPROVAL	
66) Note reference =		APPROVAL	
67) Note reference =		APPROVAL	
68) Note reference =		APPROVAL	
69) Note reference =		APPROVAL	
70) Note reference =		APPROVAL	
71) Note reference =		APPROVAL	
72) Note reference =		APPROVAL	
73) Note reference =		APPROVAL	
74) Note reference =		APPROVAL	
75) Note reference =		APPROVAL	
76) Note reference =		APPROVAL	
77) Note reference =		APPROVAL	
78) Note reference =		APPROVAL	
79) Note reference =		APPROVAL	
80) Note reference =		APPROVAL	
81) Note reference =		APPROVAL	
82) Note reference =		APPROVAL	
83) Note reference =		APPROVAL	
84) Note reference =		APPROVAL	
85) Note reference =		APPROVAL	
86) Note reference =		APPROVAL	
87) Note reference =		APPROVAL	
88) Note reference =		APPROVAL	
89) Note reference =		APPROVAL	
90) Note reference =		APPROVAL	
91) Note reference =		APPROVAL	
92) Note reference =		APPROVAL	
93) Note reference =		APPROVAL	
94) Note reference =		APPROVAL	
95) Note reference =		APPROVAL	
96) Note reference =		APPROVAL	
97) Note reference =		APPROVAL	
98) Note reference =		APPROVAL	
99) Note reference =		APPROVAL	
100) Note reference =		APPROVAL	
101) Note reference =		APPROVAL	
102) Note reference =		APPROVAL	
103) Note reference =		APPROVAL	
104) Note reference =		APPROVAL	
105) Note reference =		APPROVAL	
106) Note reference =		APPROVAL	
107) Note reference =		APPROVAL	
108) Note reference =		APPROVAL	
109) Note reference =		APPROVAL	
110) Note reference =		APPROVAL	
111) Note reference =		APPROVAL	
112) Note reference =		APPROVAL	
113) Note reference =		APPROVAL	
114) Note reference =		APPROVAL	
115) Note reference =		APPROVAL	
116) Note reference =		APPROVAL	
117) Note reference =		APPROVAL	
118) Note reference =		APPROVAL	
119) Note reference =		APPROVAL	
120) Note reference =		APPROVAL	
121) Note reference =		APPROVAL	
122) Note reference =		APPROVAL	
123) Note reference =		APPROVAL	
124) Note reference =		APPROVAL	
125) Note reference =		APPROVAL	
126) Note reference =		APPROVAL	
127) Note reference =		APPROVAL	
128) Note reference =		APPROVAL	
129) Note reference =		APPROVAL	
130) Note reference =		APPROVAL	
131) Note reference =		APPROVAL	
132) Note reference =		APPROVAL	
133) Note reference =		APPROVAL	
134) Note reference =		APPROVAL	
135) Note reference =		APPROVAL	
136) Note reference =		APPROVAL	
137) Note reference =		APPROVAL	
138) Note reference =		APPROVAL	
139) Note reference =		APPROVAL	
140) Note reference =		APPROVAL	
141) Note reference =		APPROVAL	
142) Note reference =		APPROVAL	
143) Note reference =		APPROVAL	
144) Note reference =		APPROVAL	
145) Note reference =		APPROVAL	
146) Note reference =		APPROVAL	
147) Note reference =		APPROVAL	
148) Note reference =		APPROVAL	
149) Note reference =		APPROVAL	
150) Note reference =		APPROVAL	
151) Note reference =		APPROVAL	
152) Note reference =		APPROVAL	
153) Note reference =		APPROVAL	
154) Note reference =		APPROVAL	
155) Note reference =		APPROVAL	
156) Note reference =		APPROVAL	
157) Note reference =		APPROVAL	
158) Note reference =		APPROVAL	
159) Note reference =		APPROVAL	
160) Note reference =		APPROVAL	
161) Note reference =		APPROVAL	
162) Note reference =		APPROVAL	
163) Note reference =		APPROVAL	
164) Note reference =		APPROVAL	
165) Note reference =		APPROVAL	
166) Note reference =		APPROVAL	
167) Note reference =		APPROVAL	
168) Note reference =		APPROVAL	
169) Note reference =		APPROVAL	
170) Note reference =		APPROVAL	
171) Note reference =		APPROVAL	
172) Note reference =		APPROVAL	
173) Note reference =		APPROVAL	
174) Note reference =		APPROVAL	
175) Note reference =		APPROVAL	
176) Note reference =		APPROVAL	
177) Note reference =		APPROVAL	
178) Note reference =		APPROVAL	
179) Note reference =		APPROVAL	
180) Note reference =		APPROVAL	
181) Note reference =		APPROVAL	
182) Note reference =		APPROVAL	
183) Note reference =		APPROVAL	
184) Note reference =		APPROVAL	
185) Note reference =		APPROVAL	
186) Note reference =		APPROVAL	
187) Note reference =		APPROVAL	
188) Note reference =		APPROVAL	
189) Note reference =		APPROVAL	
190) Note reference =		APPROVAL	
191) Note reference =		APPROVAL	
192) Note reference =		APPROVAL	
193) Note reference =		APPROVAL	
194) Note reference =		APPROVAL	
195) Note reference =		APPROVAL	
196) Note reference =		APPROVAL	
197) Note reference =		APPROVAL	
198) Note reference =		APPROVAL	
199) Note reference =		APPROVAL	
200) Note reference =		APPROVAL	
201) Note reference =		APPROVAL	
202) Note reference =		APPROVAL	
203) Note reference =		APPROVAL	
204) Note reference =		APPROVAL	
205) Note reference =		APPROVAL	
206) Note reference =		APPROVAL	
207) Note reference =		APPROVAL	
208) Note reference =		APPROVAL	
209) Note reference =		APPROVAL	
210) Note reference =		APPROVAL	
211) Note reference =		APPROVAL	
212) Note reference =		APPROVAL	
213) Note reference =		APPROVAL	
214) Note reference =		APPROVAL	
215) Note reference =		APPROVAL	
216) Note reference =		APPROVAL	
217) Note reference =		APPROVAL	
218) Note reference =		APPROVAL	
219) Note reference =		APPROVAL	
220) Note reference =		APPROVAL	
221) Note reference =		APPROVAL	
222) Note reference =		APPROVAL	
223) Note reference =		APPROVAL	
224) Note reference =		APPROVAL	
225) Note reference =		APPROVAL	
226) Note reference =		APPROVAL	
227) Note reference =		APPROVAL	
228) Note reference =		APPROVAL	
229) Note reference =		APPROVAL	
230) Note reference =		APPROVAL	
231) Note reference =		APPROVAL	
232) Note reference =		APPROVAL	
233) Note reference =		APPROVAL	
234) Note reference =		APPROVAL	
235) Note reference =		APPROVAL	
236) Note reference =		APPROVAL	
237) Note reference =		APPROVAL	
238) Note reference =		APPROVAL	
239) Note reference =		APPROVAL	
240) Note reference =		APPROVAL	
241) Note reference =		APPROVAL	
242) Note reference =		APPROVAL	
243) Note reference =		APPROVAL	
244) Note reference =		APPROVAL	
245) Note reference =		APPROVAL	
246) Note reference =		APPROVAL	
247) Note reference =		APPROVAL	
248) Note reference =		APPROVAL	
249) Note reference =		APPROVAL	
250) Note reference =		APPROVAL	
251) Note reference =		APPROVAL	
252) Note reference =		APPROVAL	
253) Note reference =		APPROVAL	
254) Note reference =		APPROVAL	
255) Note reference =		APPROVAL	
256) Note reference =		APPROVAL	
257) Note reference =		APPROVAL	
258) Note reference =		APPROVAL	
259) Note reference =		APPROVAL	
260) Note reference =		APPROVAL	
261) Note reference =		APPROVAL	
262) Note reference =		APPROVAL	
263) Note reference =		APPROVAL	
264) Note reference =		APPROVAL	
265) Note reference =		APPROVAL	
266) Note reference =		APPROVAL	
267) Note reference =		APPROVAL	
268) Note reference =		APPROVAL	
269) Note reference =		APPROVAL	
270) Note reference =		APPROVAL	
271) Note reference =		APPROVAL	
272) Note reference =		APPROVAL	
273) Note reference =		APPROVAL	
274) Note reference =		APPROVAL	
275) Note reference =		APPROVAL	
276) Note reference =		APPROVAL	
277) Note reference =		APPROVAL	
278) Note reference =		APPROVAL	
279) Note reference =		APPROVAL	
280) Note reference =		APPROVAL	
281) Note reference =		APPROVAL	
282) Note reference =		APPROVAL	
283) Note reference =		APPROVAL	
284) Note reference =		APPROVAL	
285) Note reference =		APPROVAL	
286) Note reference =		APPROVAL	
287) Note reference =		APPROVAL	
288) Note reference =		APPROVAL	
289) Note reference =		APPROVAL	
290) Note reference =		APPROVAL	
291) Note reference =		APPROVAL	
292) Note reference =		APPROVAL	
293) Note reference =		APPROVAL	
294) Note reference =		APPROVAL	
295) Note reference =		APPROVAL	
296) Note reference =		APPROVAL	
297) Note reference =		APPROVAL	
298) Note reference =		APPROVAL	
299) Note reference =		APPROVAL	
300) Note reference =		APPROVAL	
301) Note reference =		APPROVAL	
302) Note reference =		APPROVAL	
303) Note reference =		APPROVAL	
304) Note reference =		APPROVAL	