



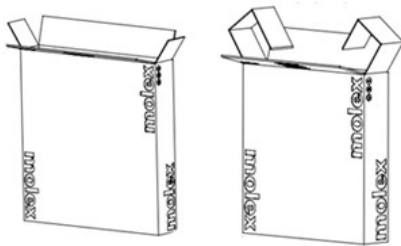
Product Change Notification

Date Issued :	July 14, 2022	PCN Number :	512307
Reason for Change :	Packaging Method/Quantity Changing		
Description of Change :	This notification is to inform you the part(s) listed in this notice will undergo changes for a new Delivery Unit. No changes will be made to the product as a result of this change. Samples will not be made available as this is only a Delivery Unit change.		
Reason for Short Notice :	Corrective Actions		
Assessment of Change :	Drop Test No change to parts - Form/Fit/Function		
Planned Implementation Date :	August 30, 2022		
Sample Availability Date:	July 07, 2022		
Internal Molex Qualification Date :	July 29, 2022		
Last date to request Samples by Customer :	July 14, 2022		

Before Picture

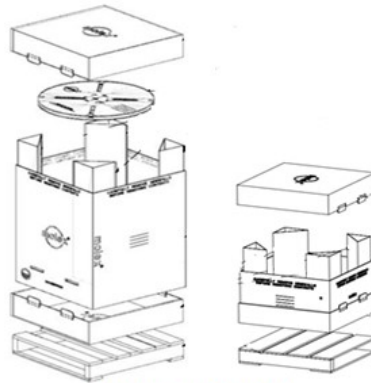
Current Packaging

Currently there are Multiple packaging options(Reel boxes or cylinders) allowing for various quantities.
This packaging ranges from single box quantities to multiple reel quantities is cylinders.



Reel Boxes at various sizes allowing different amounts of reel to be packaged.

ENGINEERING NUMBER	MATERIAL NUMBER	REELS PER CARTON
085-01-0015	085-01-0015	1
085-02-0024	085-02-0024	2
085-02-0003	085-02-0003	3
70180-0463	085-02-0010	4
31301-2320	31301-2320	6



Full and Half Cylinders

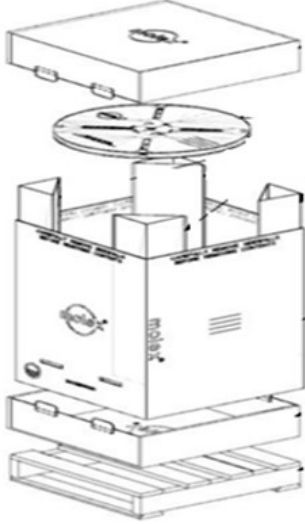
MATERIAL NUMBER	ENGINEERING NUMBER	TERMINALS PER REEL (SPQ)	REELS PER CYLINDER	FULL CYLINDER QUANTITY
460121141	460121141	4000	24	96000
460123141	460123141	4000	24	96000
460121241	460121241	4000	24	96000
460123241	460123241	4000	24	96000

Part #	Current Global DU Qty	Current Global MLQ
460121141	0	0
460121241	16,000	16,000
460123141	0	0
460123241	0	0

After Picture

New Packaging

PCN will provide a common packaging type to a full cylinder and Delivery Unit quantity for the 46012 series terminal part numbers affected by this change. The current PK-46012-001 has the full cylinder qty of 24 reels equaling 96,000 pcs, full cylinder will actually be 26 reel equaling 104,000 pcs.



Part #	Reel Qty (PPQ)	Reel Part #	New DU Qty	DU Carton	New MLQ
460121141	4,000	44096-0019	104,000	44096-1000	104,000
460121241	4,000	44096-0019	104,000	44096-1000	104,000
460121261	4,000	44096-0019	104,000	44096-1000	104,000
460123141	4,000	44096-0019	104,000	44096-1000	104,000
460123241	4,000	44096-0019	104,000	44096-1000	104,000

2

RELEASED

Additional Information :

Overview

- Update Delivery Unit
 - Delivery unit currently not set for some of the affected part numbers allowing multiple packaging options.
 - Setting a common packaging method and Delivery Unit quantity will equal less handling of product for repackaging creating less opportunities for damage or incorrect product to be packaged.
 - Correct the full cylinder packaging quantity from 24 reels to 26 reels
- Selected Delivery Units with selected packaging has been used for many years on similar product by Molex.
- Part Number Impact
 - See Parts List
- There is NO impact to fit, form or function of the product
- Delivery Unit change only
 - No samples will be provided.

RELEASED

You may address inquires regarding this PCN by clicking on the below link
mailto:pcn_coordinator@molex.com?subject=PCN_Notification:512307
or contact your Local Sales Engineer.

Note: While responding, please retain " PCN Notification : **PCN Notification: 512307** " in the e-mail Subject line for faster response.

[Molex, LLC](#)
2222 Wellington Court
Lisle, IL 60532
TEL (800) 786-6539
www.molex.com

Updated Quantity Template

Molex Part Number	Current Standard Pack Quantity (DU)	Current Minimum Order Quantity(MLQ)	New Standard Pack Quantity (DU)	New Minimum Order Quantity(MLQ)
460121141	0	0	104,000	104,000
460121241	16,000	16,000	104,000	104,000
460121261	0	0	104,000	104,000
460123141	0	0	104,000	104,000
460123241	0	0	104,000	104,000