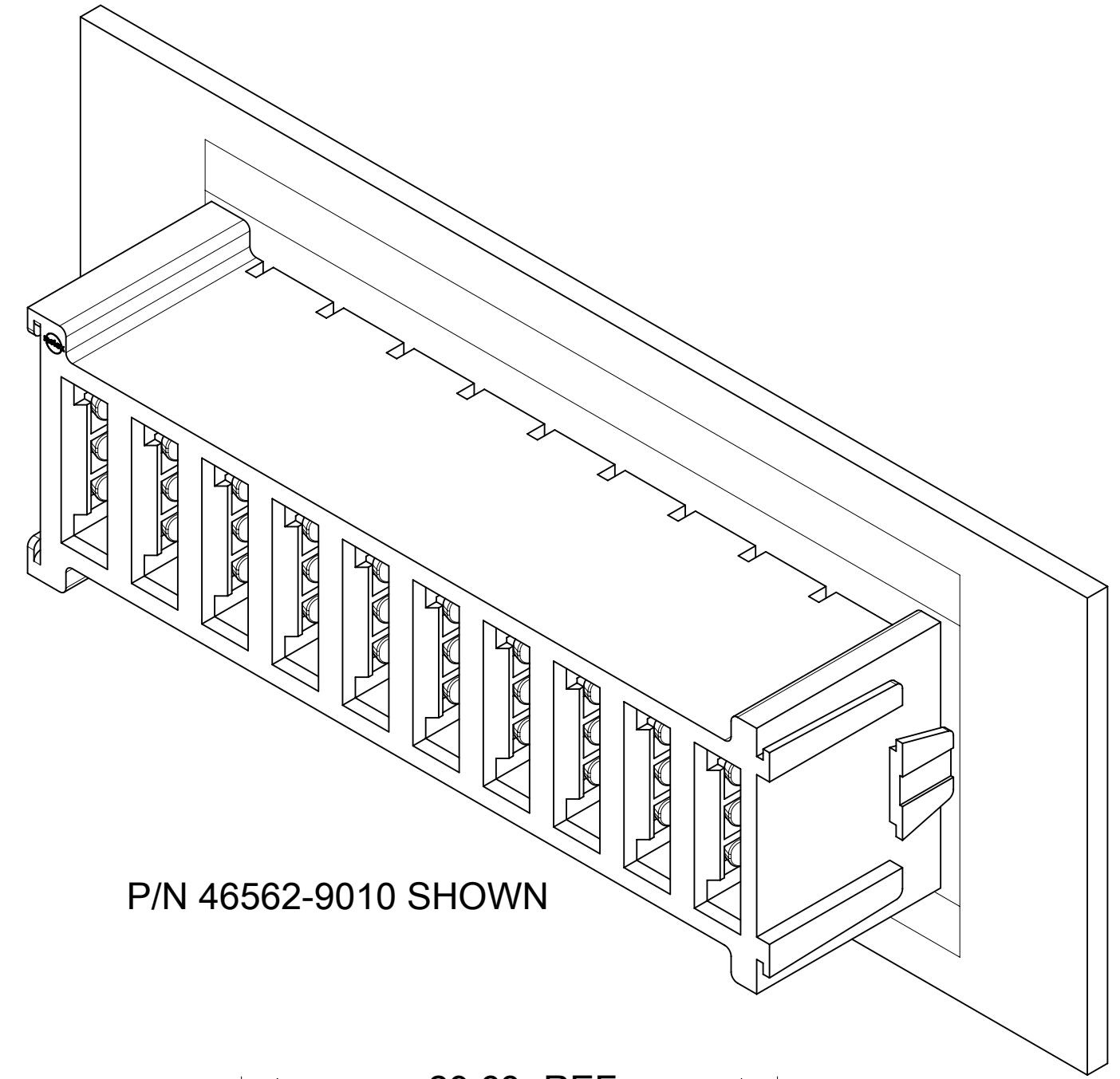
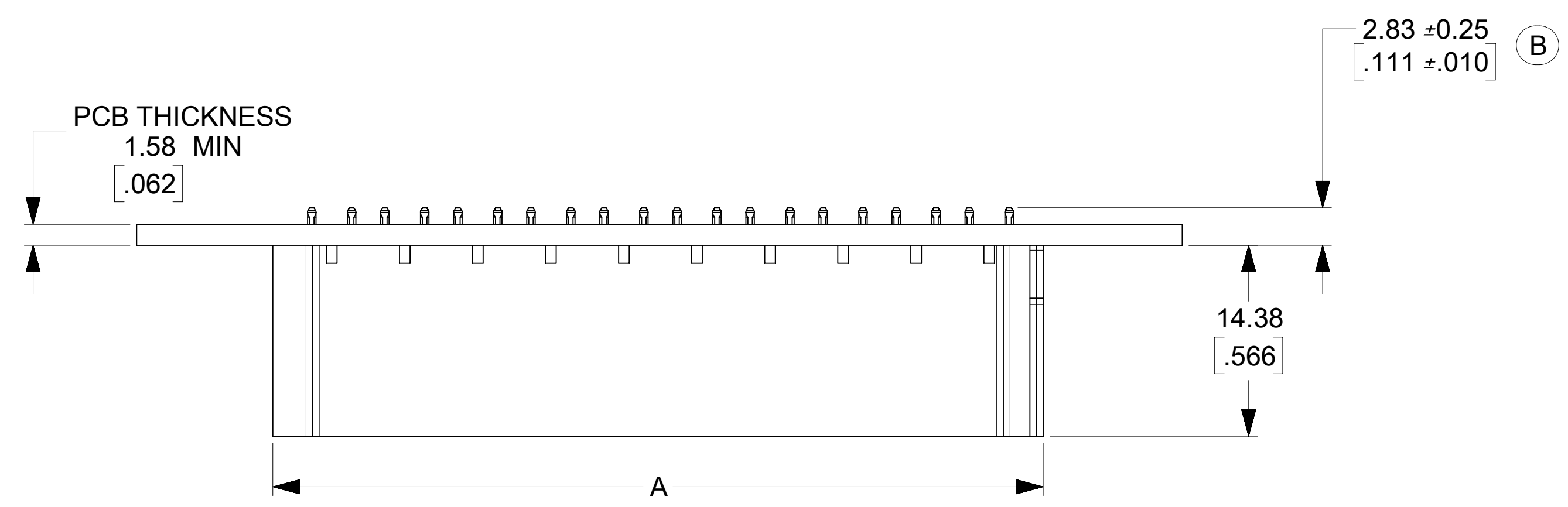
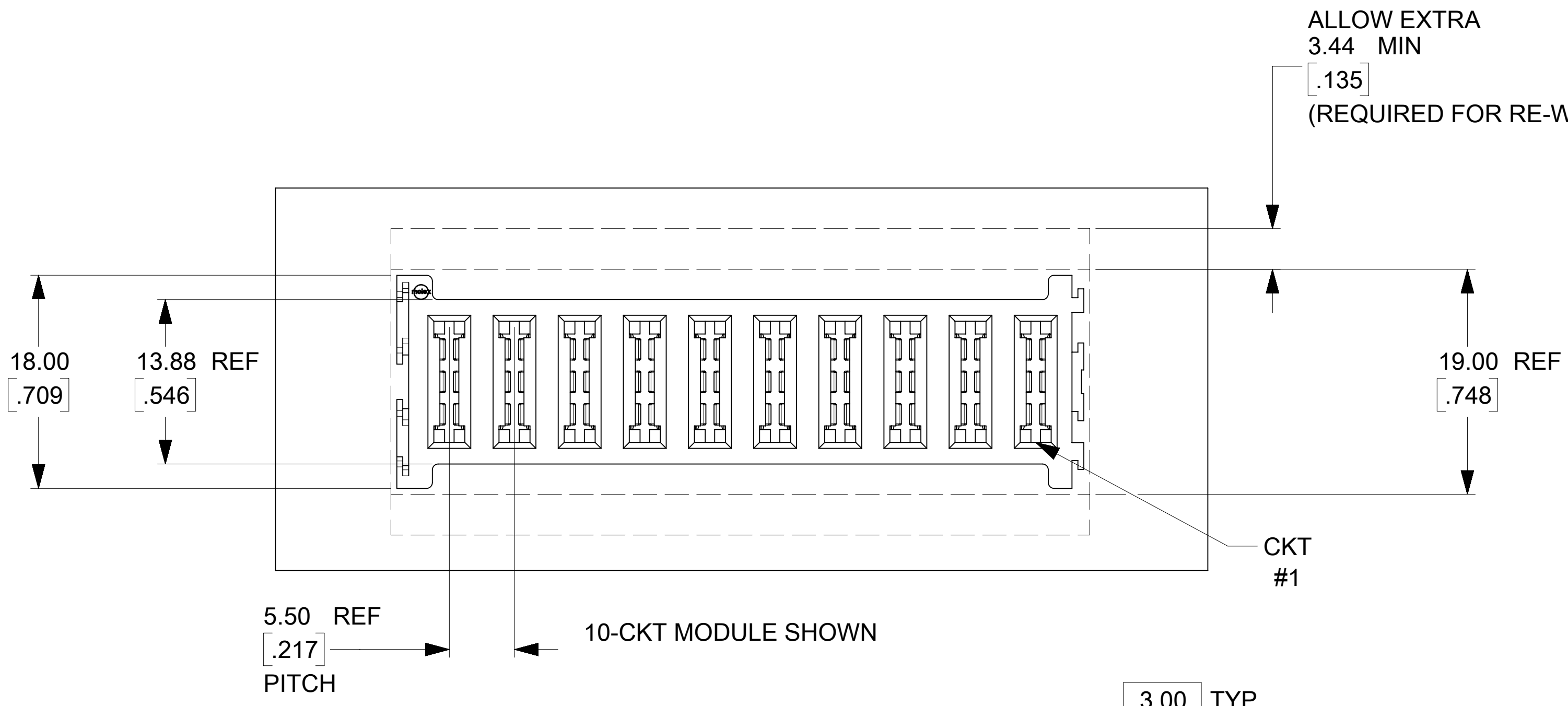


PCB THICKNESS  
1.58 MIN  
.062

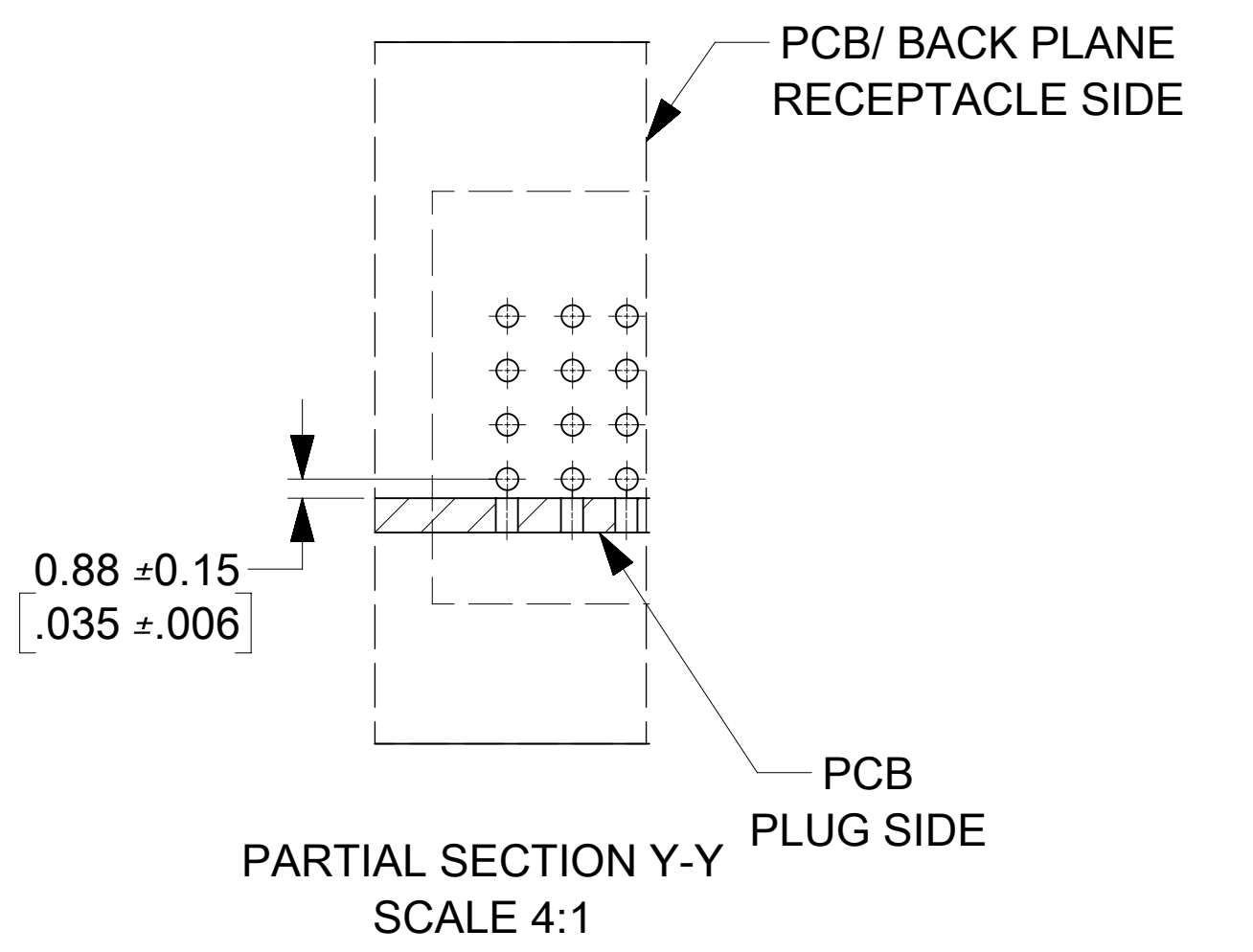
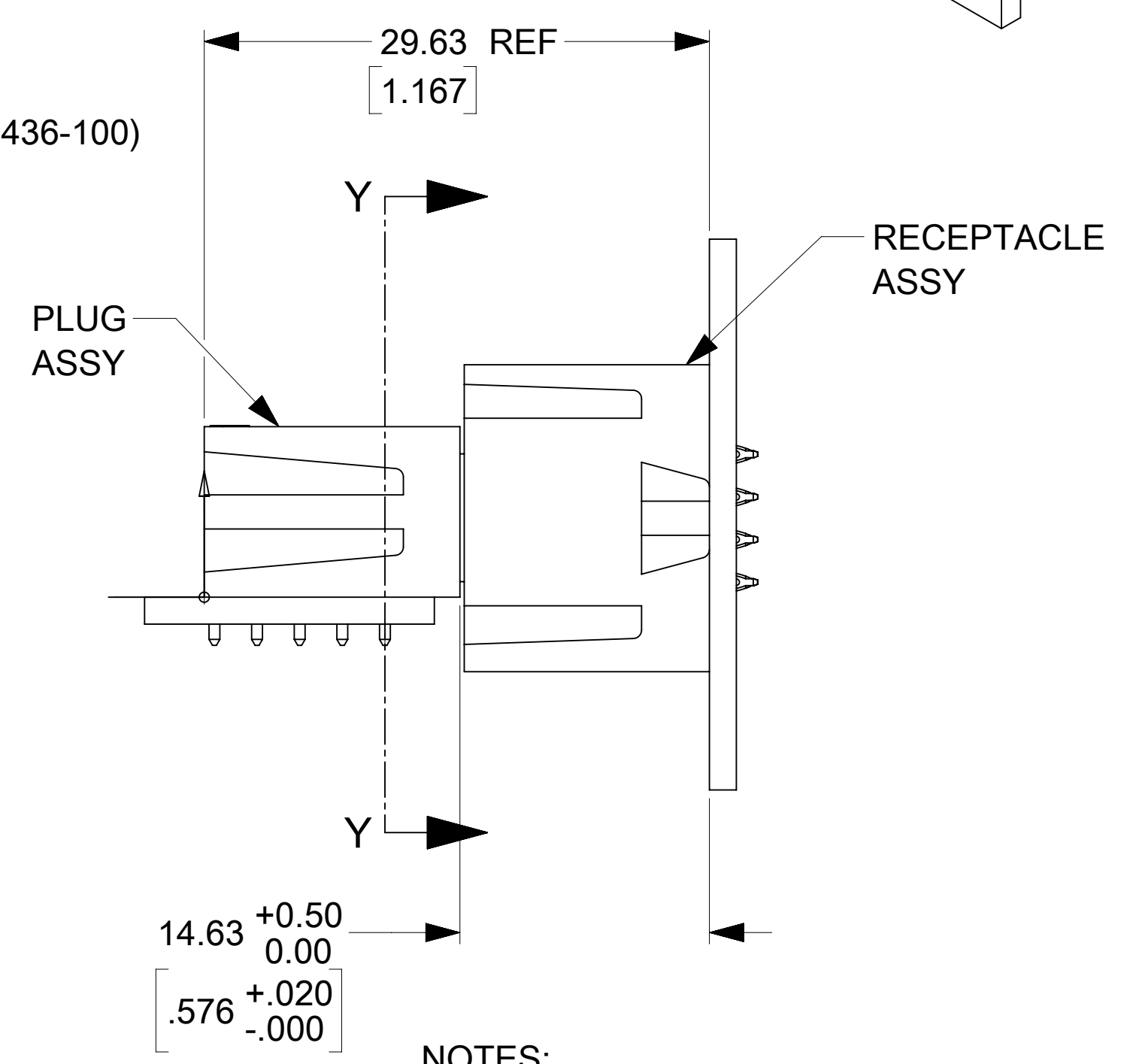


P/N 46562-9010 SHOWN

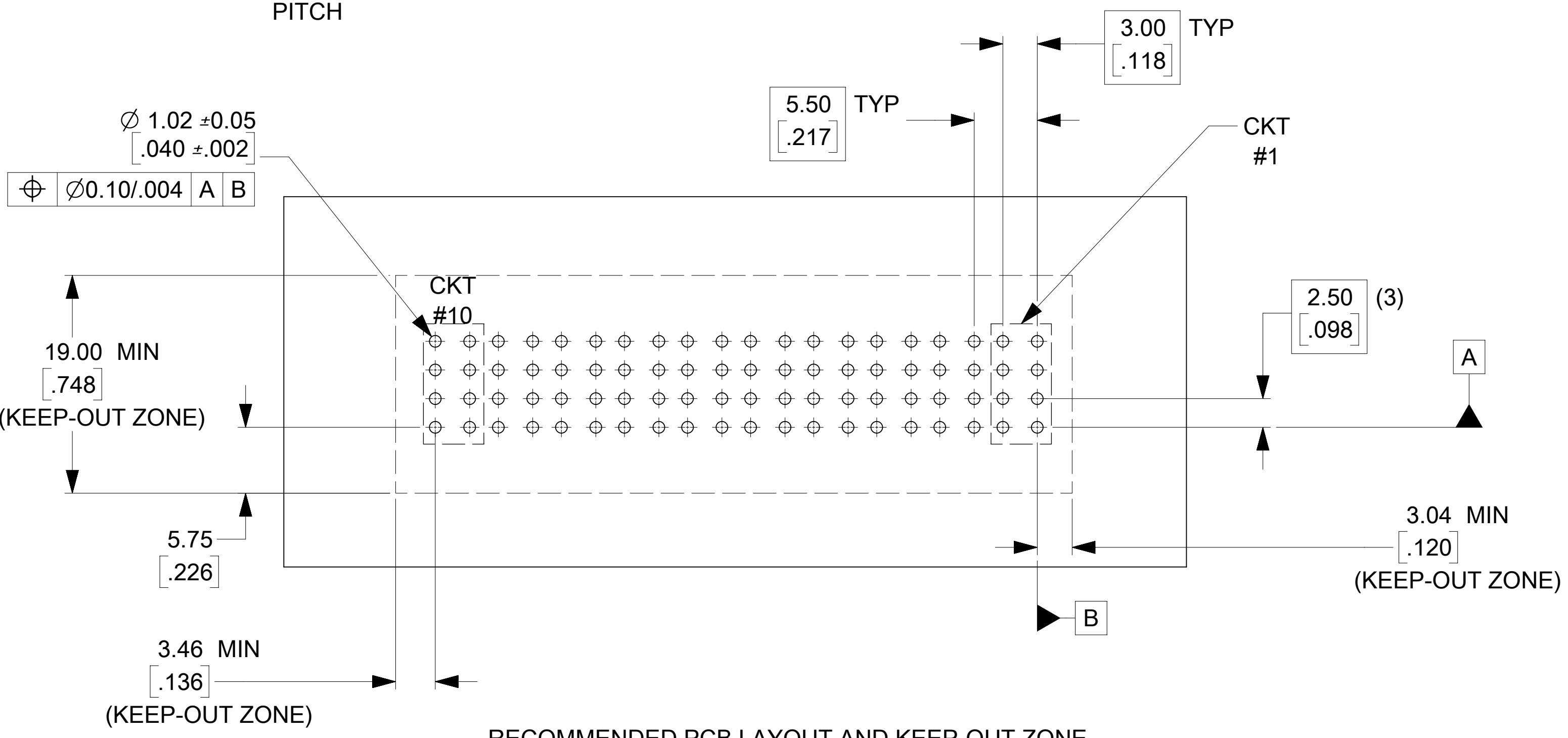
PCB TAIL: COMPLIANT PIN 5.5 MM PITCH		
# CKT	PART NUMBER	DIM "A"
10	46562-9010	58.00/2.283
9	46562-9009	52.50/2.067
8	46562-9008	47.00/1.850
7	46562-9007	41.50/1.634
6	46562-9006	36.00/1.417
5	46562-9005	30.50/1.201
4	46562-9004	25.00/.984
3	46562-9003	19.50/.768
2	46562-9002	14.00/.551
1	46562-9001	8.50/.335



10-CKT MODULE SHOWN



PARTIAL SECTION Y-Y  
SCALE 4:1



RECOMMENDED PCB LAYOUT AND KEEP-OUT ZONE

NOTES:

- MATERIAL:  
-HOUSINGS: LCP, UL-94, V-0; COLOR: BLACK.  
-TERMINALS: COPPER ALLOY.  
-PLATING: 0.000127/.000050 NICKEL OVERALL WITH 0.00254/.000100 SELECTIVE TIN ON PRESS-FIT TAILS. AND 0.000762/.000030 SELECTIVE GOLD ON CONTACT AREA.
- PACKAGING ASSEMBLIES TO BE TRAY PACKED PER PACKAGING SPEC: PK-46562-001.
- PRODUCT SPEC: PS-46436-100.
- APPLICATION SPEC: AS-46436-100.
- ASSEMBLY MATES WITH PLUG SERIES 46437-; PLEASE CONTACT MOLEX FOR DETAILS.

THIS DRAWING CONTAINS INFORMATION THAT IS PROPRIETARY TO MOLEX ELECTRONIC TECHNOLOGIES, LLC AND SHOULD NOT BE USED WITHOUT WRITTEN PERMISSION

DIMENSION UNITS	SCALE	CURRENT REV DESC: TAIL LENGTH CORRECTD	
MM/IN	3:1		
GENERAL TOLERANCES (UNLESS SPECIFIED)		EC NO: 621958	
	MM	INCH	
4 PLACES	±	±	DRWN: YPUTTUR 2019/07/29
3 PLACES	±	± 0.01	CHK'D: YVENKATESWAR 2019/08/06
2 PLACES	±	0.25 ± 0.01	APPR: HTHYAGARAJ 2019/09/27
1 PLACE	±	0.25 ±	INITIAL REVISION:
0 PLACES	±	±	DRWN: BKOSTIC 2007/07/14
ANGULAR TOL	±	0.5 °	APPR: APATEL 2008/06/30
DRAFT WHERE APPLICABLE MUST REMAIN WITHIN DIMENSIONS		THIRD ANGLE PROJECTION	DRAWING SERIES
			D-SIZE 46562
DOCUMENT NUMBER		DOC TYPE	DOC PART
SD-46562-9000		PSD	001
CUSTOMER		REVISION	
GENERAL MARKET		B	
MATERIAL NUMBER		SHEET NUMBER	
SEE CHART		1 OF 1	



VERTICAL RECEPT. MODULES  
5.5 MM PITCH TEN60 POWER FAMILY

PRODUCT CUSTOMER DRAWING