

MATERIALS AND FINISHES

SMA JACK: SEE SD-73391-026

MMCX PLUG: SEE SD-73415-112

CABLE: RG316

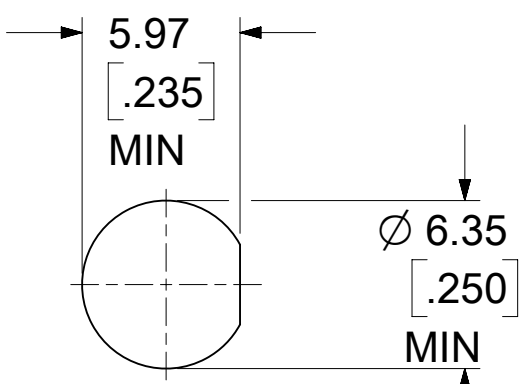
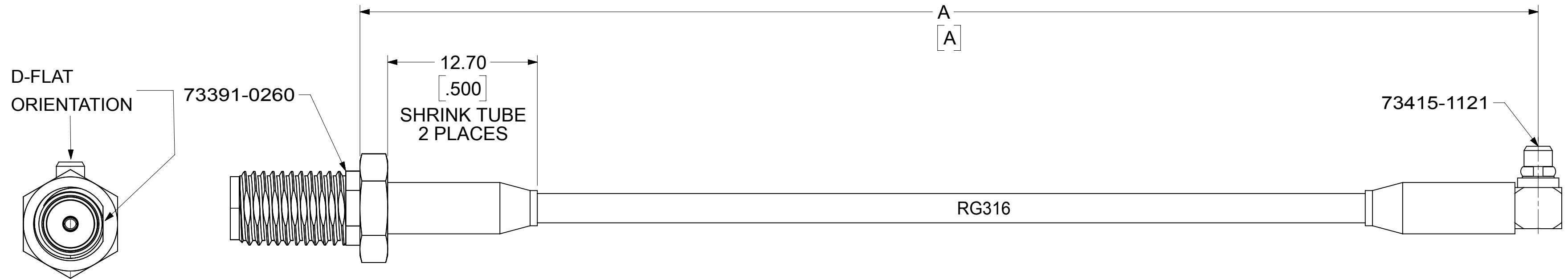
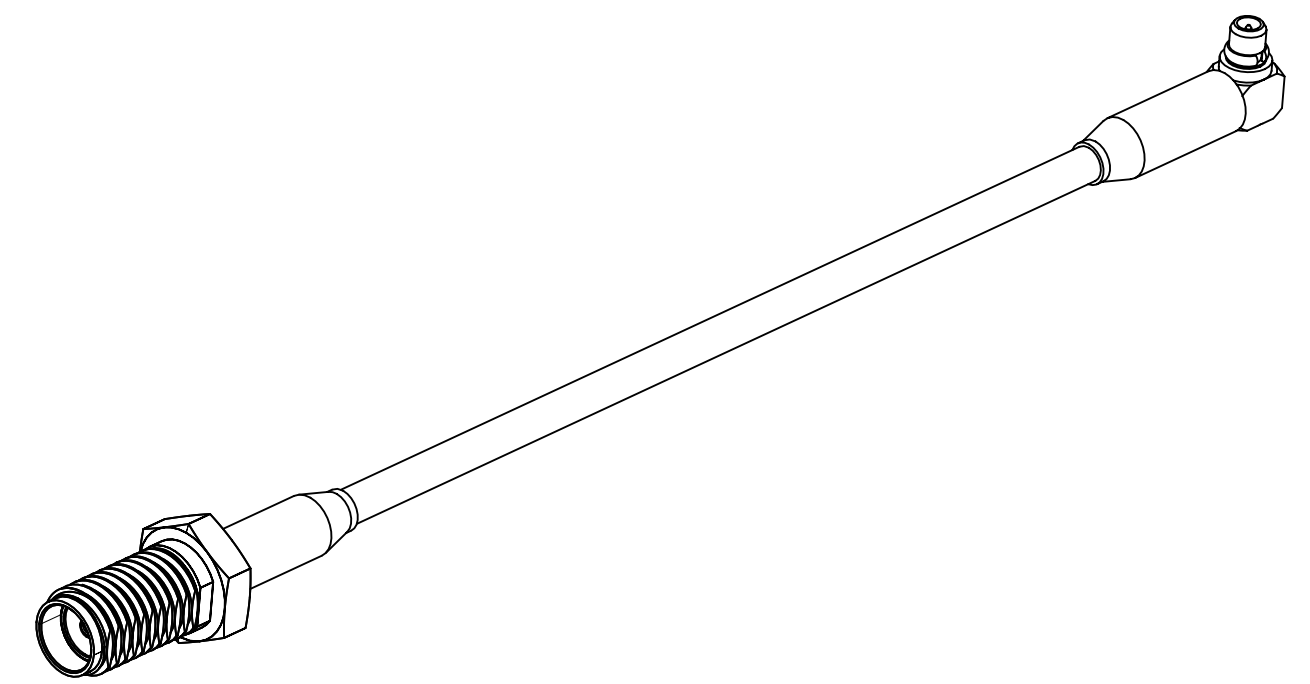
SHRINK TUBE: VERSAFIT

CABLES WILL BE INDIVIDUALLY BAGGED

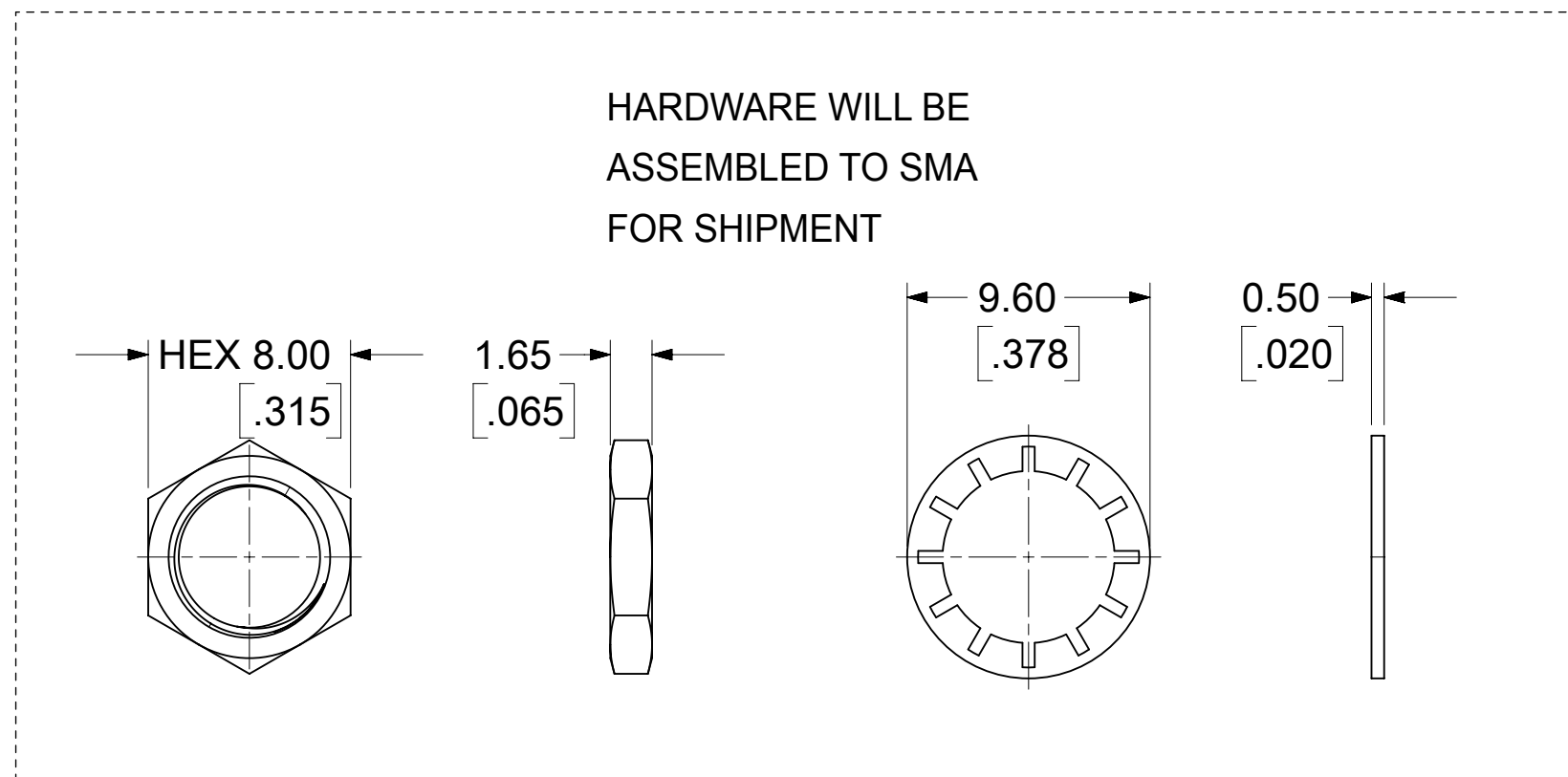
BAG LABEL:

MOLEX: P/N

DATE CODE



RECOMMENDED PANEL CUTOUT
MAX PANEL THICKNESS 3.18 (.125)



89761-6822	18.0±.35	457.2±8.89	POLYBAG
89761-6821	12.0±.25	304.8±6.35	POLYBAG
89761-6820	6.00±.25	152.4±6.35	POLYBAG
PART NO.	IN	MM	PACKAGING
	A		

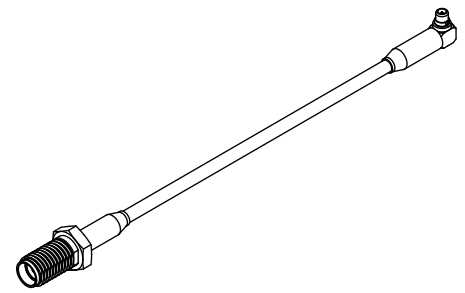
CECC-22-340	INTERFACE MMCX
MIL-STD-348A, FIG. 310.2	INTERFACE SMA
SPECIFICATION	DESCRIPTION

FUNCTIONAL SYMBOLS	THIS DRAWING CONTAINS INFORMATION THAT IS PROPRIETARY TO MOLEX ELECTRONIC TECHNOLOGIES, LLC AND SHOULD NOT BE USED WITHOUT WRITTEN PERMISSION		
FA = 0	DIMENSION UNITS	SCALE	CURRENT REV DESC:
EA = 0	MM/INCH	NTS	CHG: UPDATE PACKAGE QUANTITY FOR -6821 PART NO
EP = 0	GENERAL TOLERANCES (UNLESS SPECIFIED)		EC NO: 690863
	ANGULAR TOL ± 2.0°		DRWN: JSU18 2022/01/05
	4 PLACES ±		CHK'D: YCHENG 2022/01/05
	3 PLACES ±		APPR: YCHENG 2022/01/05
	2 PLACES ±		INITIAL REVISION:
	1 PLACE ±		DRWN: AROBERTSON 2009/02/20
	0 PLACES ±		APPR: JWIENER 2009/02/20
	DRAFT WHERE APPLICABLE MUST REMAIN WITHIN DIMENSIONS	THIRD ANGLE PROJECTION	DRAWING SERIES
			C-SIZE 89761
DOCUMENT STATUS		DOC TYPE	DOC PART
P1	RELEASE DATE	PSD	001
2022/01/05	07:54:11	SD-89761-682	
		CUSTOMER	SHEET NUMBER
		GENERAL MARKET	1 OF 2

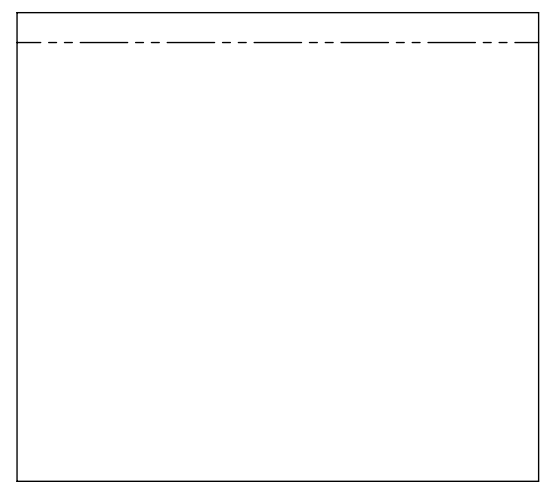
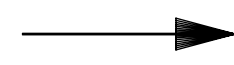
molex

CA SMA J STR BKHD TO
MMCX P R/A W/RG316 CA-SMAJ/MMCXP, EWR-3874

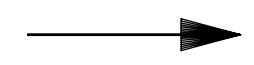
PRODUCT CUSTOMER DRAWING



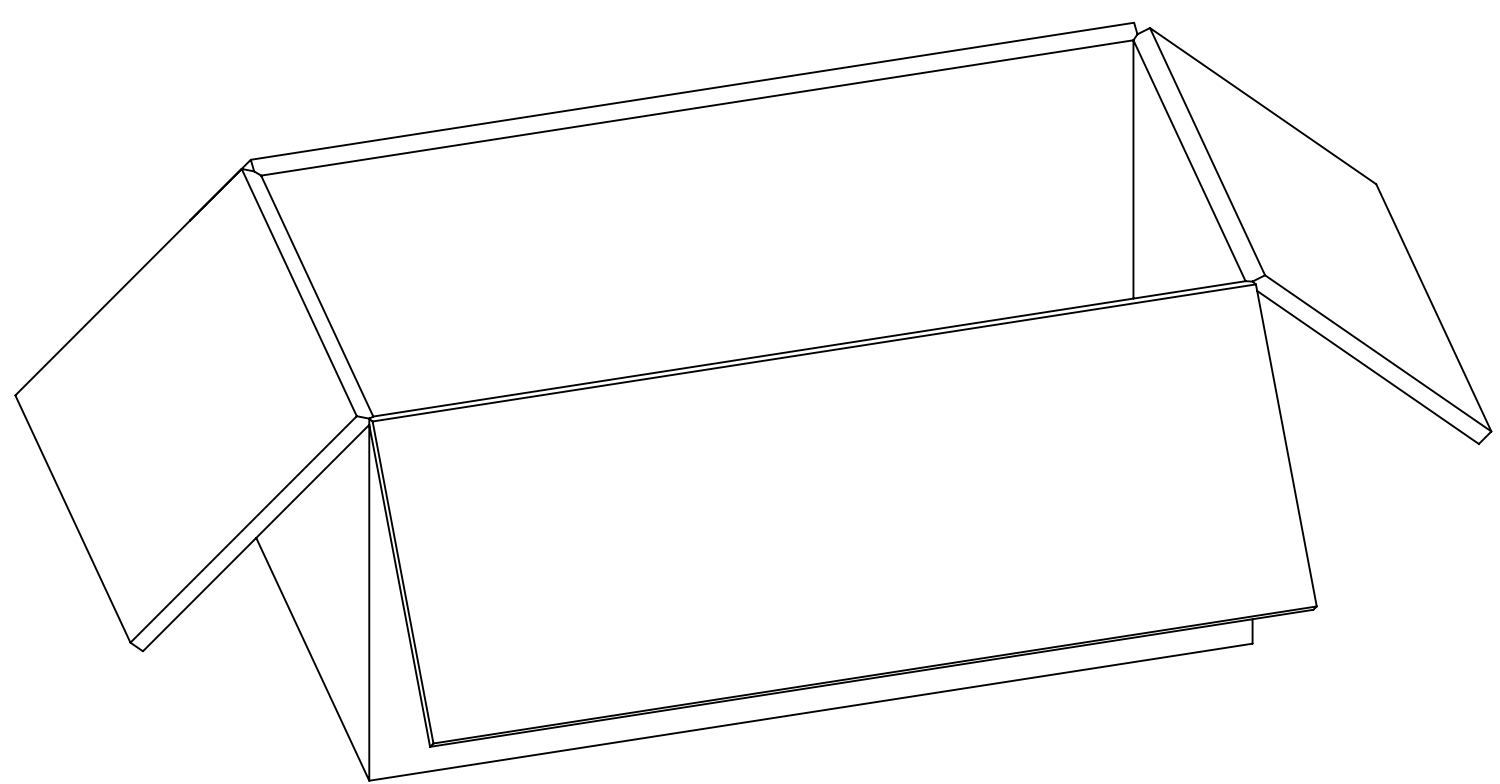
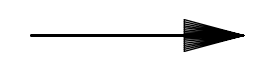
PN: 89761-6820
 PN: 89761-6821
 PN: 89761-6822



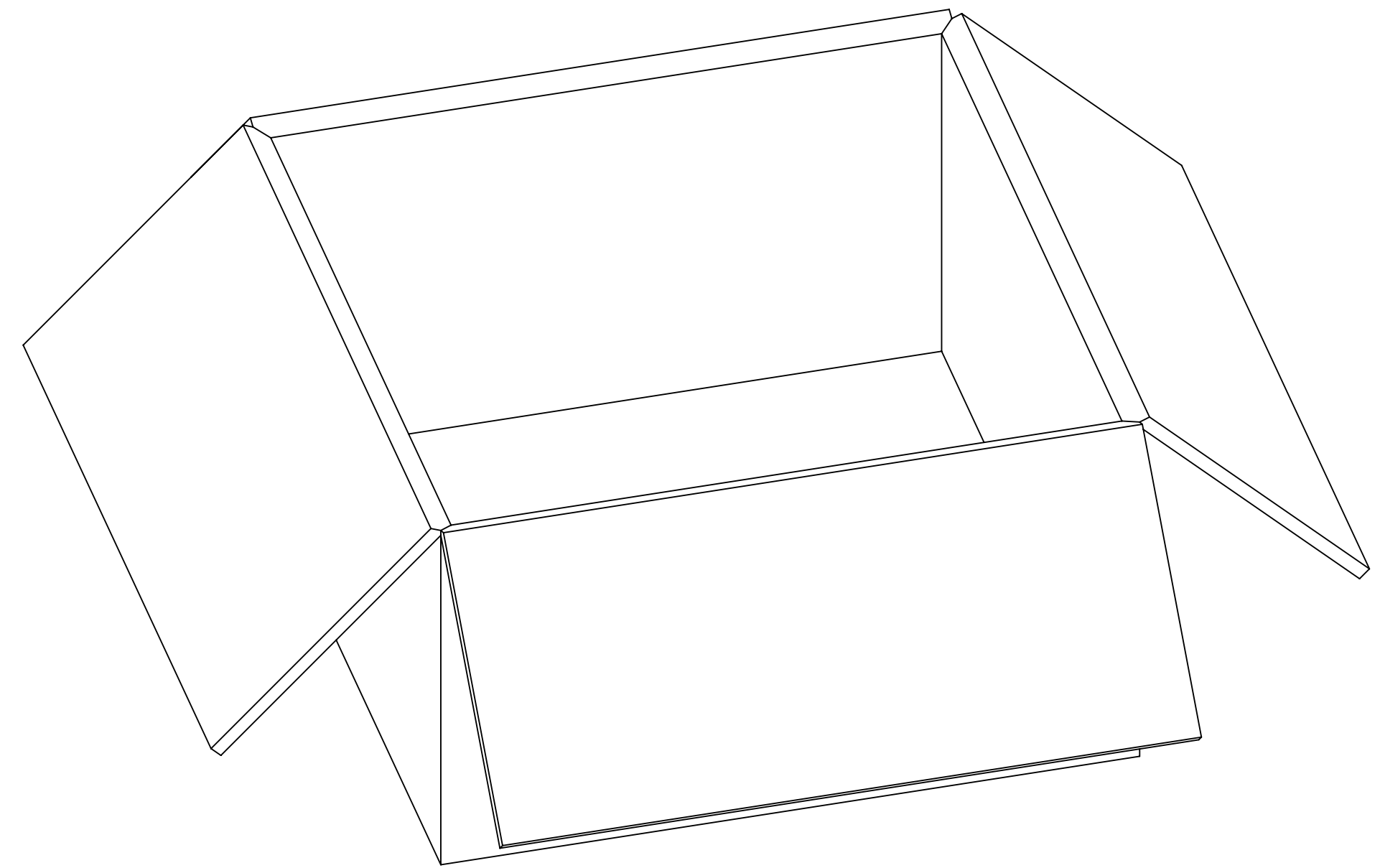
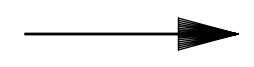
1 SET PER POLY BAG
 P/N: 89707-0296




50 SETS PER POLY BAG
 P/N: 89707-0176



250 SETS PER INNER
 CARTON BOX
 P/N: 96707-0001
 DIMENSION: 367 x 173 x 188 (mm)



500 SETS PER OUTER
 CARTON BOX
 P/N: 96708-0005
 DIMENSION: 385 x 367 x 206 (mm)

FUNCTIONAL SYMBOLS										THIS DRAWING CONTAINS INFORMATION THAT IS PROPRIETARY TO MOLEX ELECTRONIC TECHNOLOGIES, LLC AND SHOULD NOT BE USED WITHOUT WRITTEN PERMISSION															
DIMENSION UNITS		SCALE		CURRENT REV DESC:						 CA SMA J STR BKHD TO MMCX P R/A W/RG316 CA-SMAJ/MMCXP, EWR-3874															
MM/INCH		NTS		CHG: UPDATE PACKAGE QUANTITY FOR -6821 PART NO																					
GENERAL TOLERANCES (UNLESS SPECIFIED)										EC NO: 690863															
ANGULAR TOL ± 2.0°										DRWN: JSU18 2022/01/05															
4 PLACES ±										CHK'D: YCHENG 2022/01/05															
3 PLACES ±										APPR: YCHENG 2022/01/05															
2 PLACES ±										INITIAL REVISION:															
1 PLACE ±										DRWN: AROBERTSON 2009/02/20															
0 PLACES ±										APPR: JWIENER 2009/02/20															
DIVISIONAL SYMBOLS										DRAFT WHERE APPLICABLE MUST REMAIN WITHIN DIMENSIONS		THIRD ANGLE PROJECTION		DRAWING		SERIES		DOCUMENT NUMBER		DOC TYPE		DOC PART		REVISION	
▽A = 0		▽C = 0		▽P = 0		C-SIZE		89761		SD-89761-682		PSD		001		A5									
MATERIAL NUMBER				CUSTOMER				SHEET NUMBER																	
				GENERAL MARKET				2 OF 2																	