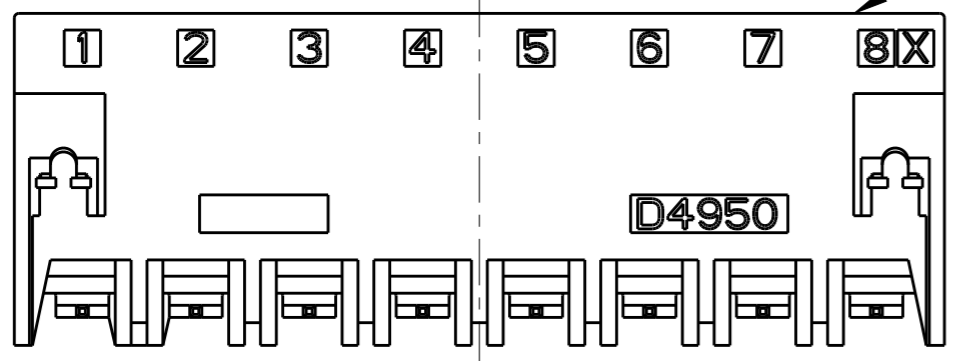
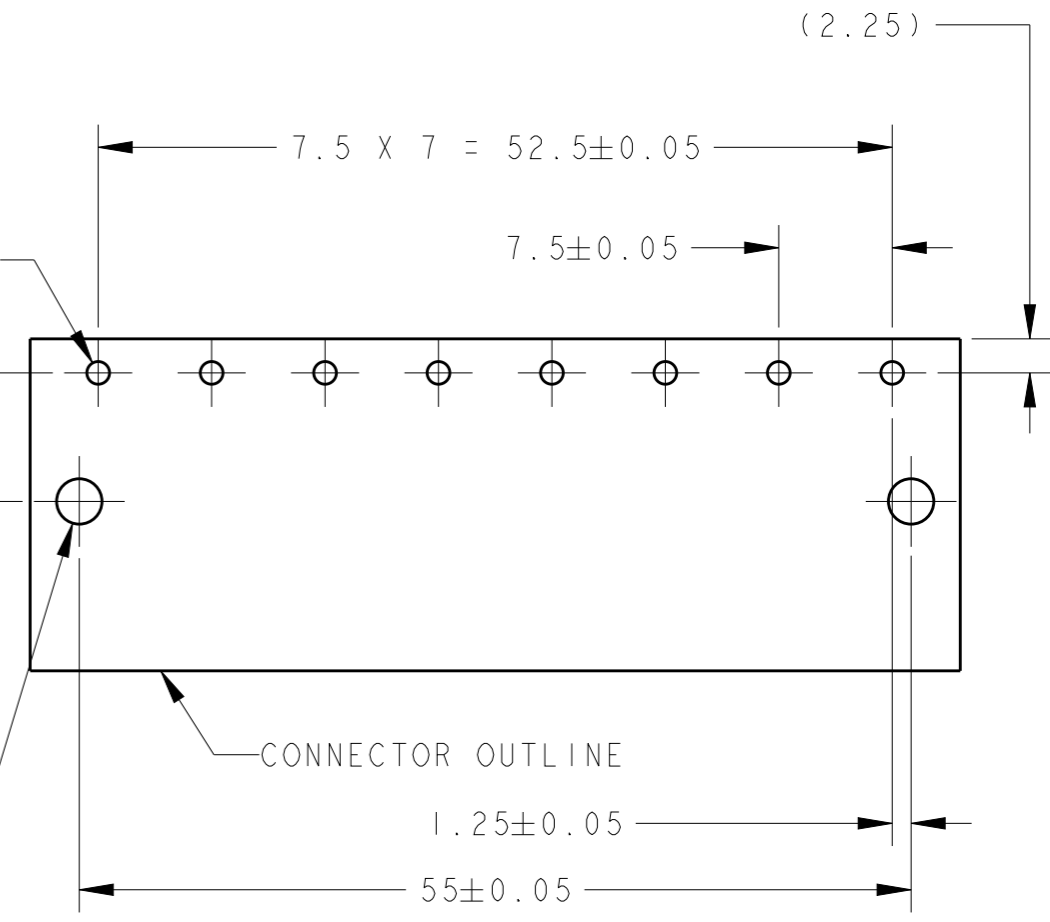
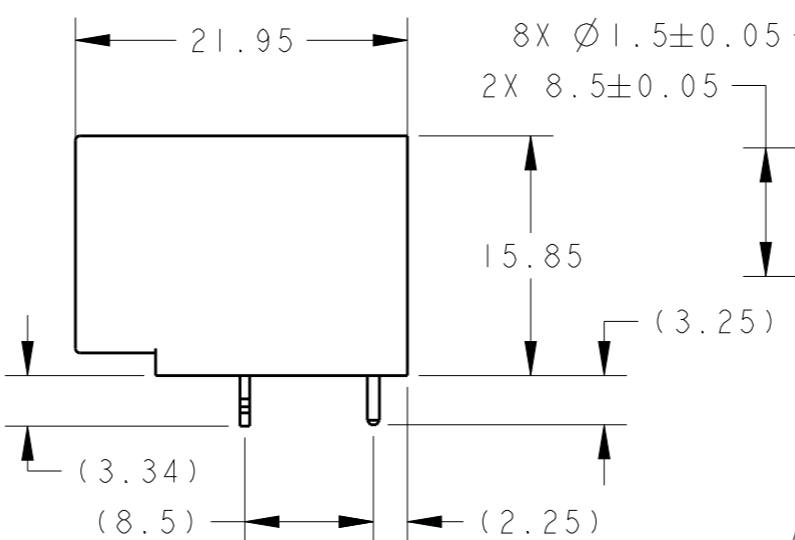
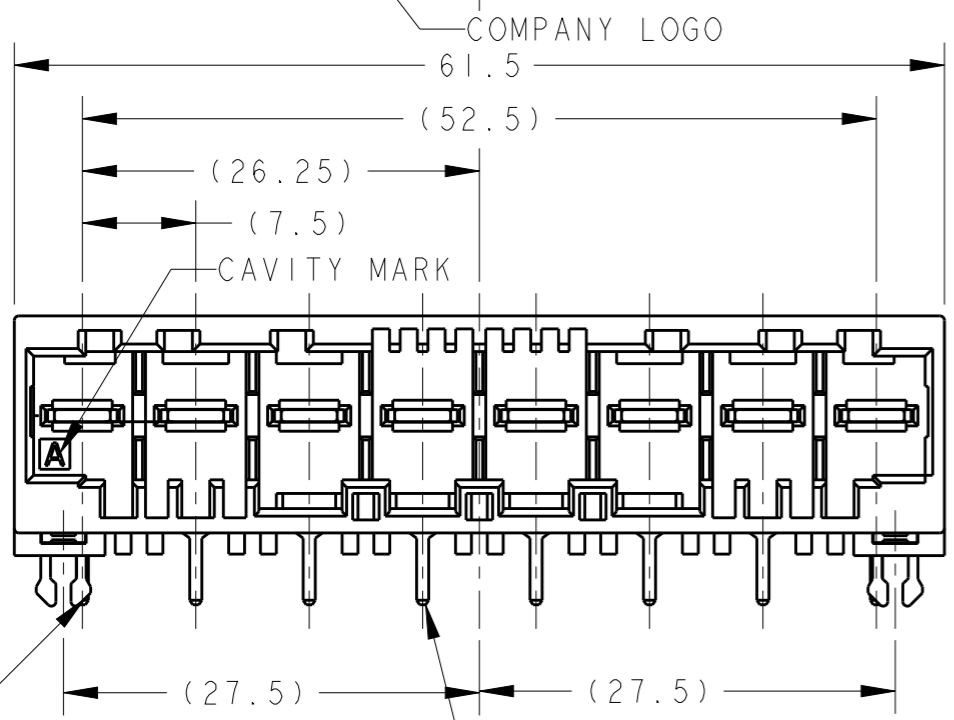
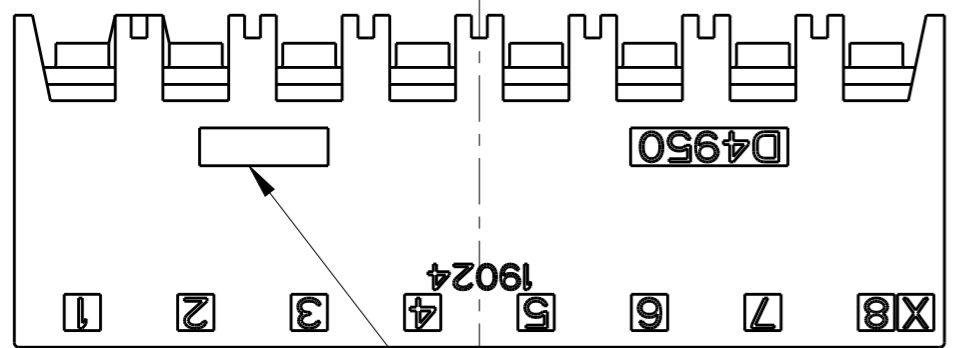
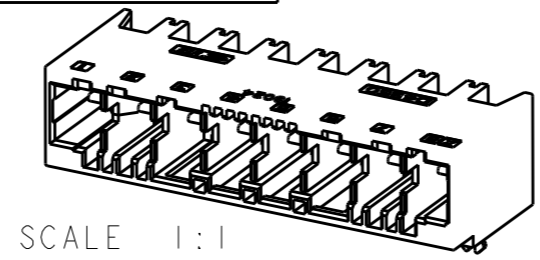


REVISIONS

P	LTR	DESCRIPTION	DATE	DWN	APVD
	A	RELEASED	10SEP2019	Y.O	E.I



- MATERIAL
HOUSING: THERMOPLASTIC PLYESTER
CONTACT: COPPER ALLOY
RETENSION LEG: COPPER ALLOY
- PLATING
CONTACT POINT: UNDER Ni PLATING
OVER Au PLATING
SOLDERING POINT: UNDER Ni PLATING
OVER Tin PLATING
- SEE INSTRUCTION SHEET 408-78173

X	8	1-2349849-8
KEYING	POSN	PART NUMBER

THIS DRAWING IS A CONTROLLED DOCUMENT.		DWN T. SHIMOYASU 09 JAN 2019	<p>TE Connectivity</p>	<p>NAME HEADER ASSEMBLY, D4950, DYNAMIC</p>										
DIMENSIONS: mm		CHK E. IKEMATSU 09 JAN 2019												
TOLERANCES UNLESS OTHERWISE SPECIFIED:		APVD E. IKEMATSU 09 JAN 2019												
<table border="1"> <tr> <td>0 PLC</td> <td>± 0.5</td> </tr> <tr> <td>1 PLC</td> <td>± 0.5</td> </tr> <tr> <td>2 PLC</td> <td>± 0.5</td> </tr> <tr> <td>3 PLC</td> <td>\pm</td> </tr> <tr> <td>4 PLC</td> <td>\pm</td> </tr> <tr> <td>ANGLES</td> <td>\pm</td> </tr> </table>		0 PLC			± 0.5	1 PLC	± 0.5	2 PLC	± 0.5	3 PLC	\pm	4 PLC	\pm	ANGLES
0 PLC	± 0.5													
1 PLC	± 0.5													
2 PLC	± 0.5													
3 PLC	\pm													
4 PLC	\pm													
ANGLES	\pm													
MATERIAL	FINISH	APPLICATION SPEC -	SIZE A3	CAGE CODE -	DRAWING NO C-2349849	RESTRICTED TO -								
		WEIGHT -	SCALE 2:1		SHEET 1 OF 1	REV A								
		CUSTOMER DRAWING												