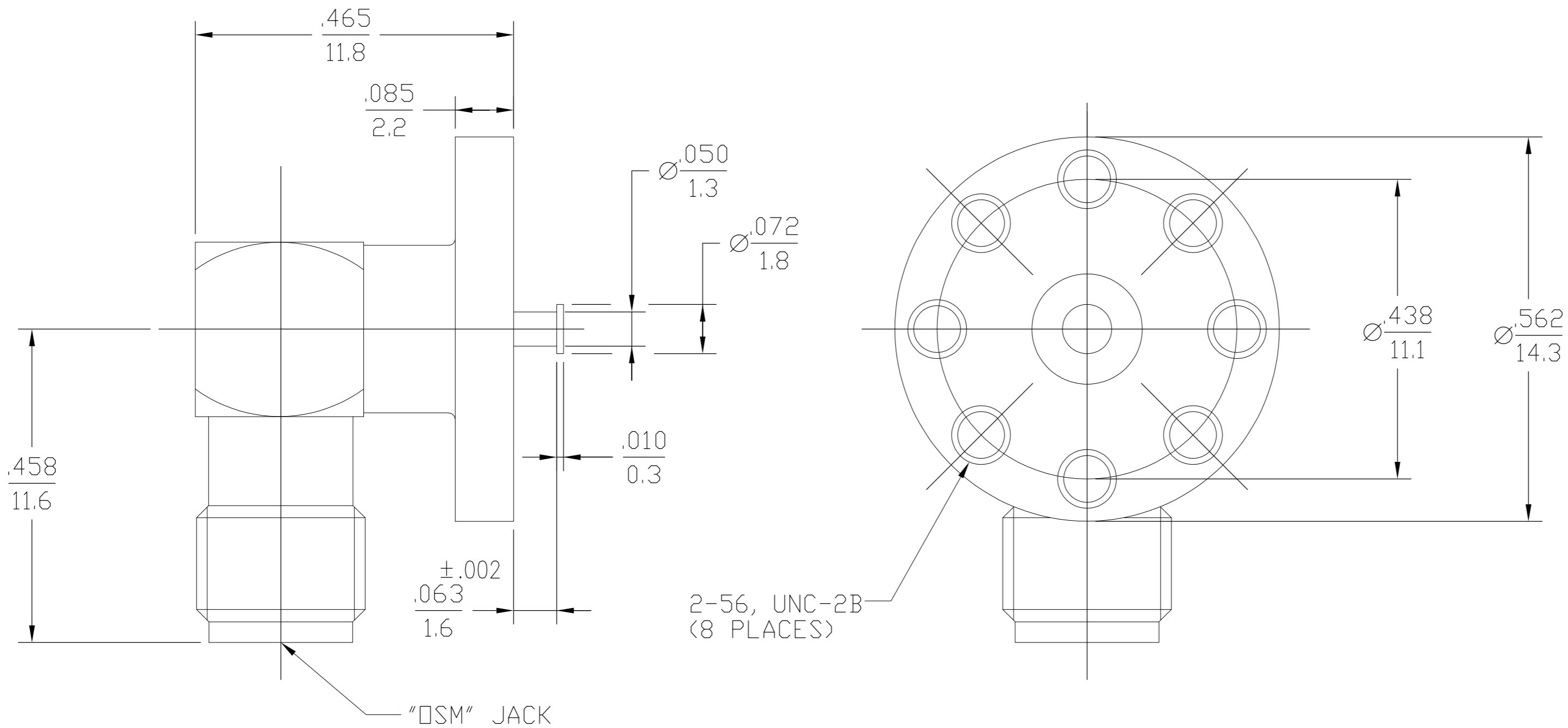


THIS DRAWING IS UNPUBLISHED. RELEASED FOR PUBLICATION
 © COPYRIGHT BY TYCO ELECTRONICS CORPORATION. ALL RIGHTS RESERVED.

LOC		DIST		REVISIONS			
AJ	00	P	LTR	DESCRIPTION	DATE	DWN	APVD
		B		REV PER ECO 07-004710	3/2/2007	DW	KW



"OSM" JACK

2-56, UNC-2B
(8 PLACES)

1053438-1
PART NUMBER

HOUSING CAP	STAINLESS STEEL PER ASTM-A484 AND ASTM-A582, TYPE 303	GOLD PLATE PER MIL-G-45204
DIELECTRIC	TFE FLUOROCARBON PER ASTM-D-1457	N/A
CENTER CONTACT CONTACT EXT.	BERYLLIUM COPPER PER ASTM-B-196 OR ASTM-B-197, ALLOY C17300, CONDITION H OR BRASS PER ASTM-B-16	GOLD PLATE PER MIL-G-45204
COMPONENT	MATERIAL	FINISH

NOTES:
 1. DESIGNED FOR 1/16" THICK GROUND PLANE SPACING.

.XXX = in
 XX.X = mm (REF)

THIS DRAWING IS A CONTROLLED DOCUMENT.		DWN DRF 11/18/77	tyco Tyco Electronics Corporation	
DIMENSIONS: INCHES		CHK KWW 11/18/77	Harrisburg, PA 17105-3608	
TOLERANCES UNLESS OTHERWISE SPECIFIED:		APVD RMF 11/18/77	NAME	
0 PLC ± -	1 PLC ± -	PRODUCT SPEC	OSM RIGHT ANGLE SURFACE LAUNCH JACK TURRET TERIMAL	
2 PLC ± -	3 PLC ± .005	APPLICATION SPEC	SIZE	CAGE CODE
4 PLC ± -	ANGLES ± 1°	WEIGHT	A2	00779
MATERIAL	FINISH	CUSTOMER DRAWING	DRAWING NO	RESTRICTED TO
-	-	SCALE 5:1	C=1053438	1 of 1
			SHEET	REV B