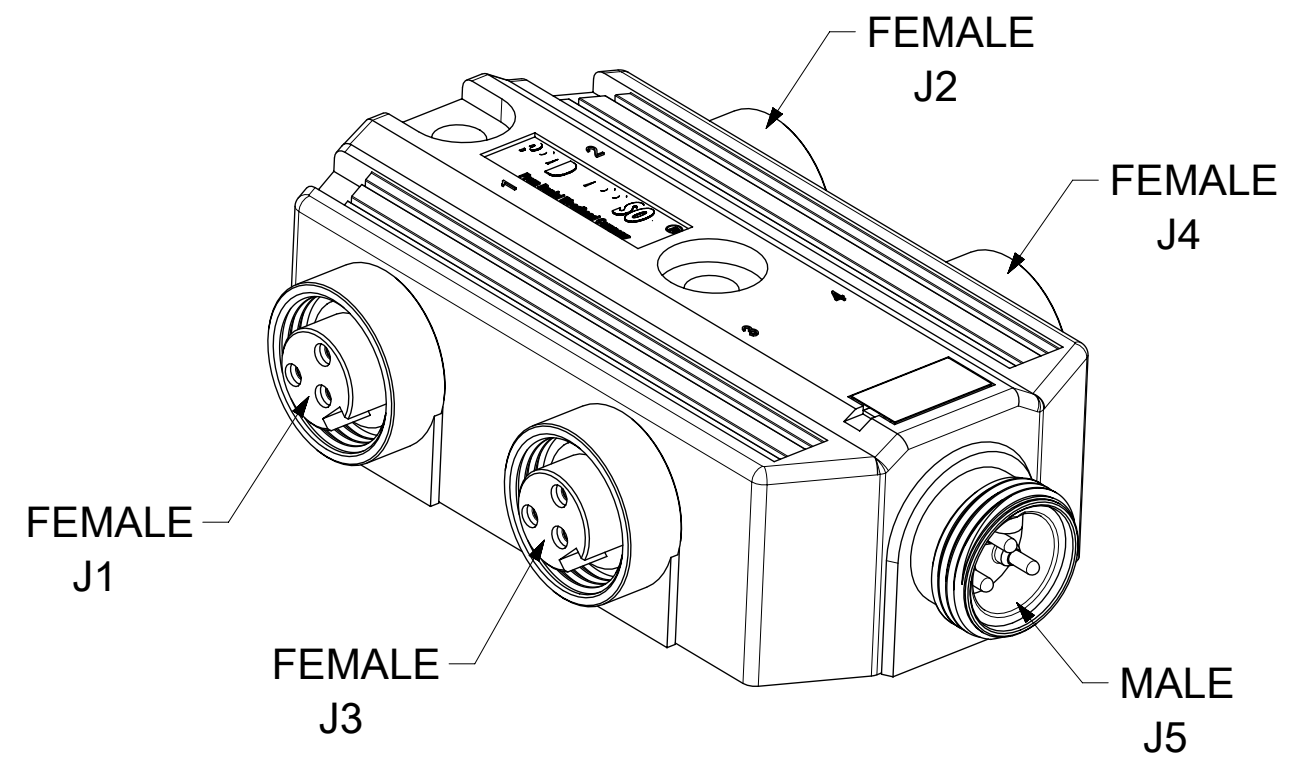
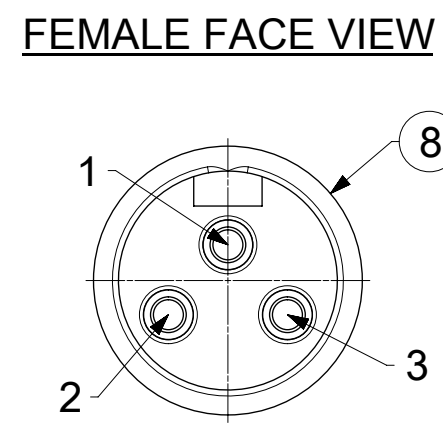
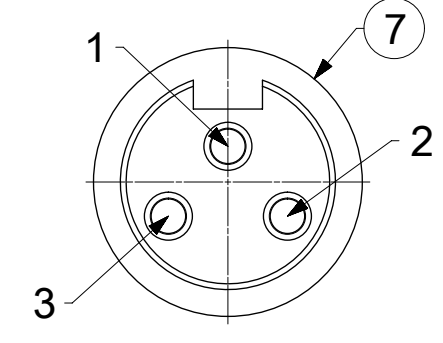
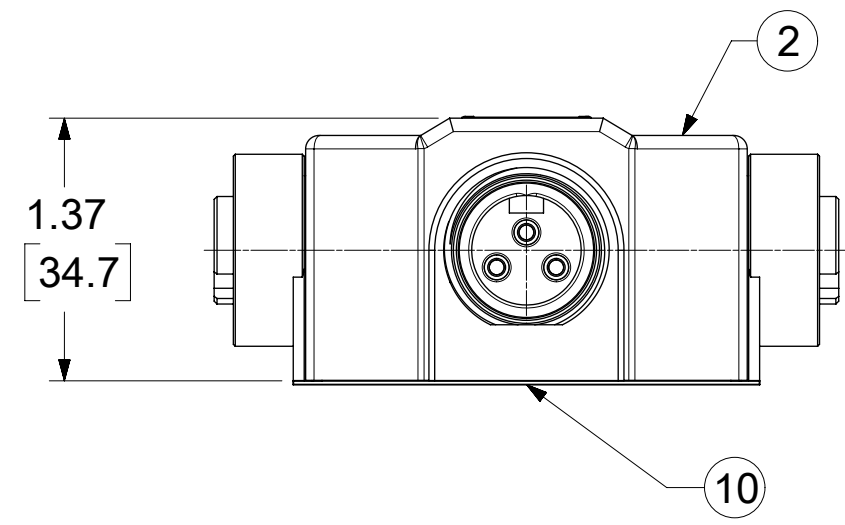
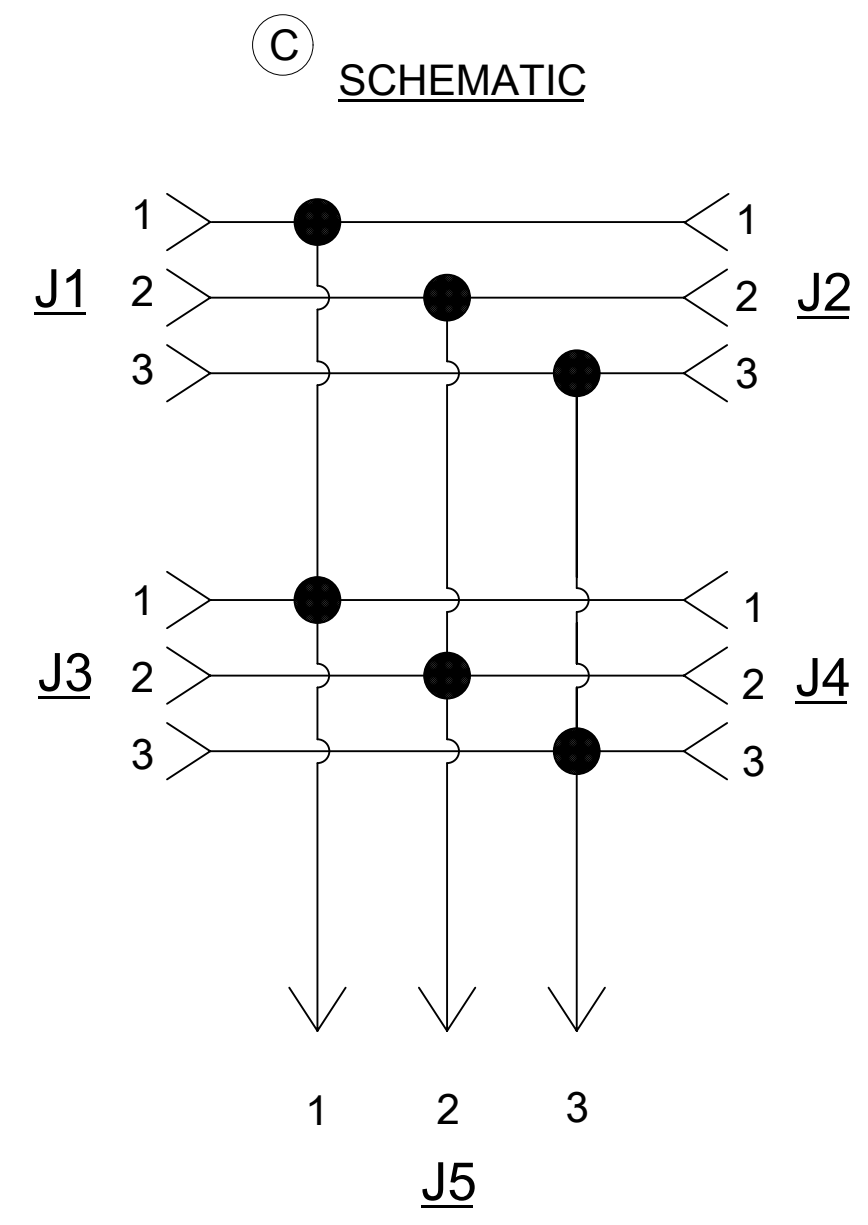
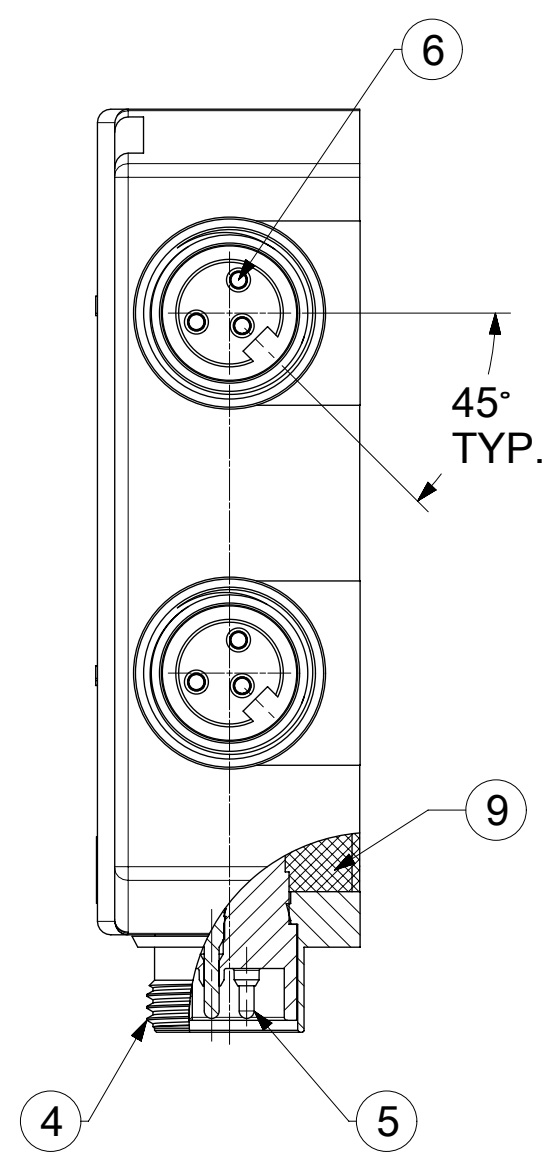
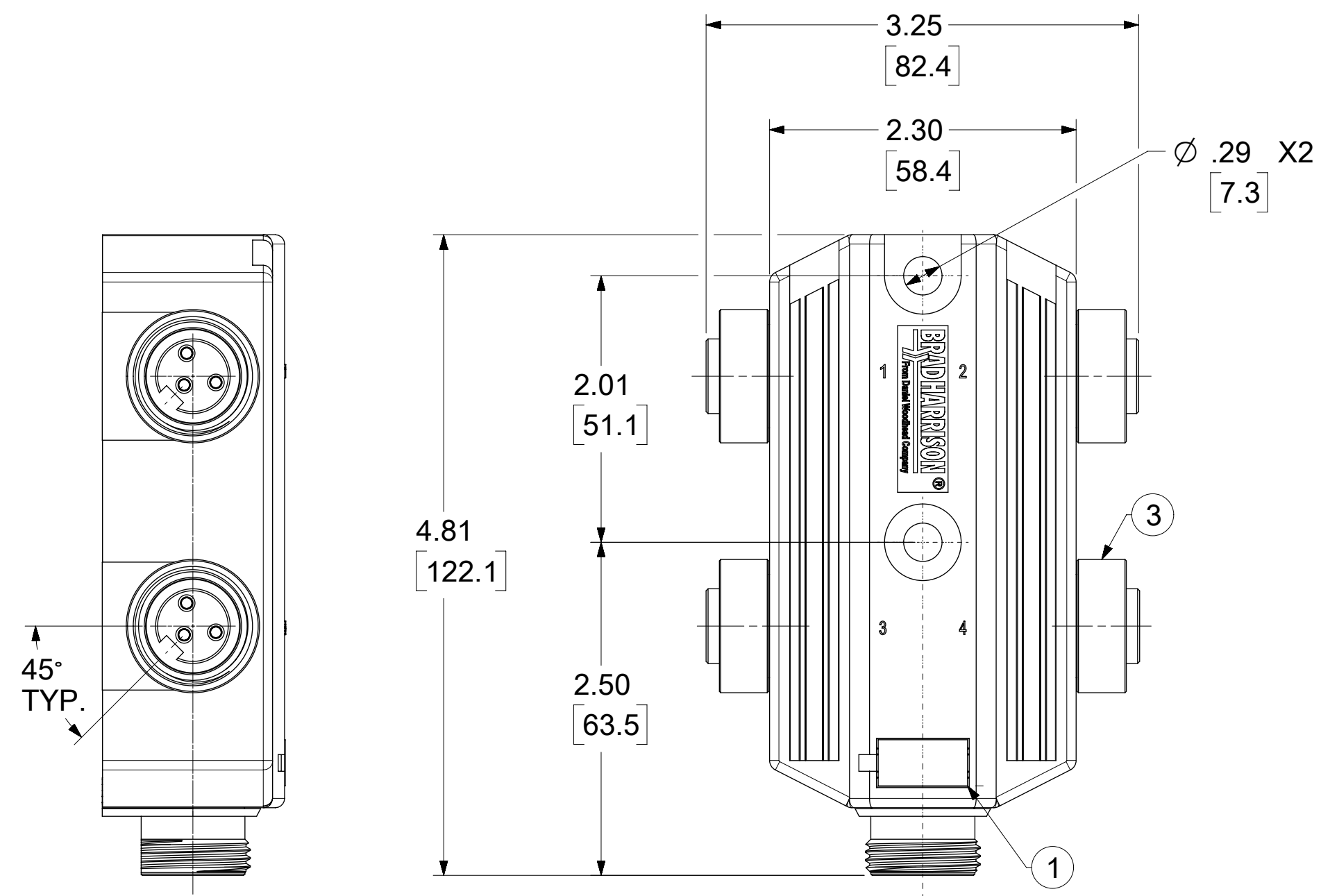


MATERIAL NO.	ENGINEERING NO.	HOUSING COLOR
1300600067	ACAUX4000	YELLOW
1300600086	ACAUX4000E	RED



- NOTES:
1. MATERIAL: AS NOTED
 2. FINISH: AS NOTED
 3. ELECTRICAL:
VOLTAGE; 600V AC/DC
CURRENT: 13A
 4. TEMP RATING: 0°C TO +60°C
 5. PROTECTION: IP67 (WHEN MATED)
 6. COUPLING THREADS: 7/8"-16UN 2B
 7. ALL DIMS ARE FOR REFERENCE UNLESS NOTED OTHERWISE
 8. UL LISTED FILE: E152210

ITEM	DESCRIPTION	MATERIAL	FINISH
10	MPIS SCHEMATIC LABEL	POLYOLEFIN	WHITE
9	POTTING MATERIAL	EPOXY	AMBER
8	MALE INSERT	TPE	YELLOW
7	FEMALE INSERT	TPE	YELLOW
6	CONTACT SOCKET	COPPER ALLOY	GOLD PLATED
5	CONTACT PIN	COPPER ALLOY	GOLD PLATED
4	MALE RECEPTACLE SHELL	ZINC DIE CAST	BLACK E-COAT
3	FEMALE RECEPTACLE SHELL	ZINC DIE CAST	BLACK E-COAT
2	HOUSING	PBT	SEE CHART
1	LABEL	ABS	WHITE

FUNCTIONAL SYMBOLS FA = 0 FE = 0 FP = 0	THIS DRAWING CONTAINS INFORMATION THAT IS PROPRIETARY TO MOLEX ELECTRONIC TECHNOLOGIES, LLC AND SHOULD NOT BE USED WITHOUT WRITTEN PERMISSION	CURRENT REV DESC: REVISED WIRE DIAGRAM, ADD UL FILE E152210 TO NOTE 8				
	DIMENSION UNITS: INCH/MM	SCALE: 1:1	EC NO: 672530			
GENERAL TOLERANCES (UNLESS SPECIFIED)		EC NO: 672530		DOCUMENT NUMBER		
ANGULAR TOL ± °		DRWN: RSTONE 2021/08/02		1300600086		
4 PLACES ±		CHK'D: MZIELINSKI 2021/08/04		DOC TYPE DOC PART REVISION		
3 PLACES ±		APPR: BWOODMAN 2021/08/09		PSD 000 C		
2 PLACES ±		INITIAL REVISION:		MATERIAL NUMBER CUSTOMER SHEET NUMBER		
1 PLACE ±		DRWN: MZIELINSKI 2019/03/22		SEE TABLE		
0 PLACES ±		APPR: BWOODMAN 2019/08/16		1 OF 1		
DRAFT WHERE APPLICABLE MUST REMAIN WITHIN DIMENSIONS		THIRD ANGLE PROJECTION		DRAWING SERIES C-SIZE 130060		