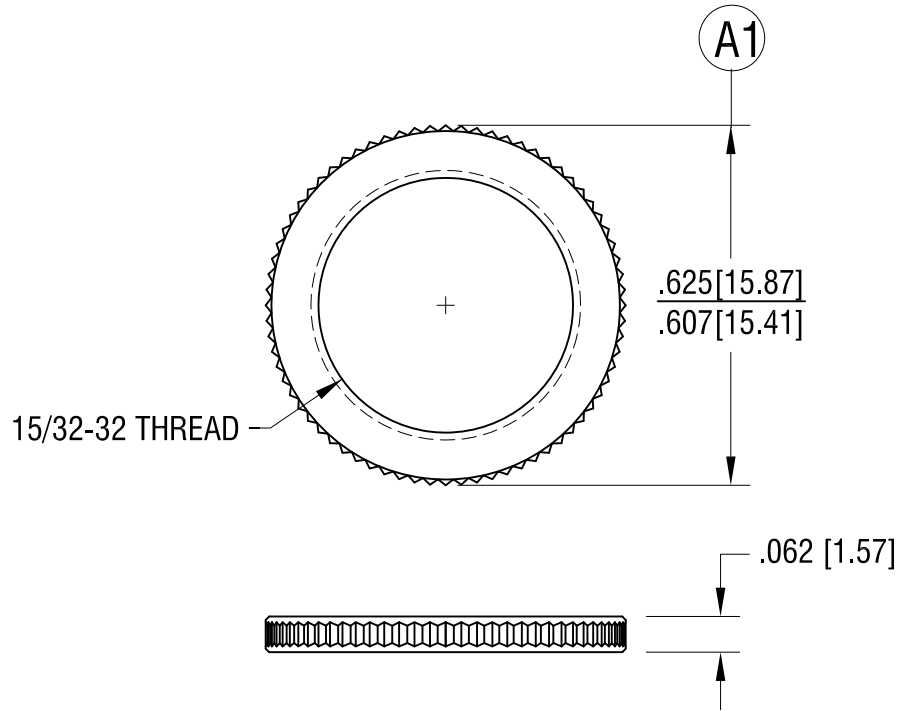


THIS DOCUMENT IS THE PROPERTY OF
KEYSTONE ELECTRONICS CORP. AND
SHALL NOT BE REPRODUCED, DISTRIBUTED
OR USED AS A BASIS FOR MANUFACTURE
WITHOUT PRIOR WRITTEN PERMISSION
FROM KEYSTONE ELECTRONICS CORP.



(A1) WAS $.625 \pm .010$

4.17.18	CHANGE AS PER ECN 18-021	A
DATE	DESCRIPTION	REV.

KEYSTONE ELECTRONICS CORP.			
www.keyelco.com • NEW HYDE PARK, NY 11040 • Tel (516) 328-7500			
PART NAME		PANEL NUT, 15/32-32	
MATERIAL		BRASS	
FINISH	NICKEL PLATE	DRN BY	BOONE
		APP'D	LN
		DATE	5.30.01
		SCALE	3X
TOLERANCES	INCH [MM]	CODE	DWG NO.
DECIMAL	$\pm .005$ [± 0.13]	C	1459
ANGULAR	$\pm 1^\circ$		
UNLESS OTHERWISE SPECIFIED			