

PART NUMBER	PACKAGING
149-0701-601	ONE PIECE PER BAG

REV	ECO	DATE
2	EC-2005027	20MAY2020
3	-	29JUL2020
4	EC-2007028	05NOV2020

NOTES:

1. MATERIAL AND FINISH:

- 1.1 MAIN BODY: STAINLESS STEEL, PASSIVATED
- 1.2 CONTACT: BERYLLIUM COPPER, GOLD PLATE
- 1.3 INSULATOR: PTFE
- 1.4 BOLT: STAINLESS STEEL

2. ELECTRICAL SPECIFICATIONS:

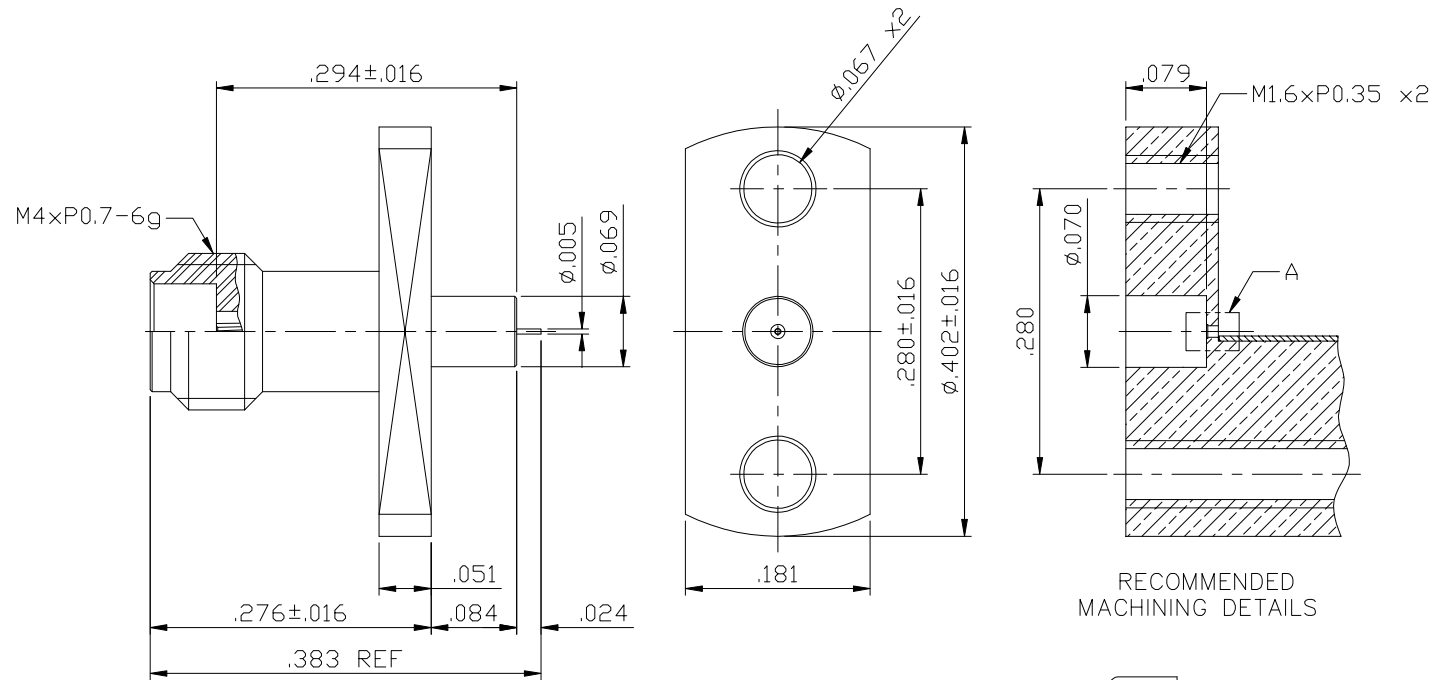
- 2.1 IMPEDANCE: 50 OHMS NOMINAL
- 2.2 FREQUENCY RANGE: DC~110 GHz
- 2.3 VSWR: 1.38 MAX.
- 2.4 INSERTION LOSS: 0.7 dB TYPICAL
- 2.5 DIELECTRIC WITHSTANDING VOLTAGE: 500 VRMS MIN.
- 2.6 INSULATION RESISTANCE: 1200 MEGOHM MIN.
- 2.7 CONTACT RESISTANCE:
 - 2.7.1 CENTER CONTACT - 4.0 MILLIOHM MAX.
 - 2.7.2 OUTER CONDUCTOR - 1.0 MILLIOHM MAX.

3. MECHANICAL SPECIFICATIONS:

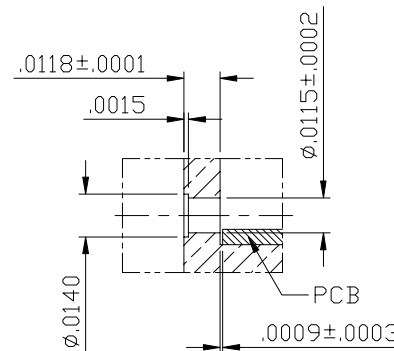
- 3.1 INTERFACE STANDARD: IEEE 287 GPC
- 3.2 MATING TORQUE: 0.35 Nm MAX.
- 3.3 COUPLING PROOF TORQUE: 0.7 Nm MIN.
- 3.4 DURABILITY: 500 CYCLES MIN.

4. ENVIRONMENTAL:

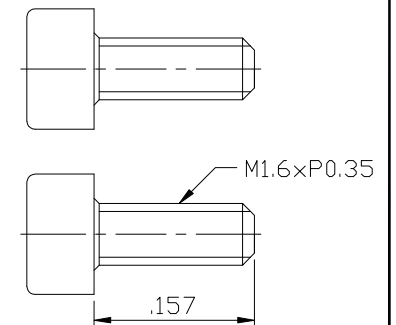
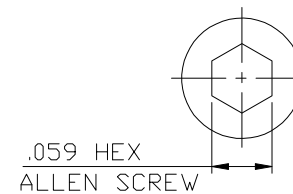
- 4.1 THERMAL SHOCK: MIL-STD-202, METHOD 107, CONDITION B
- 4.2 OPERATING TEMPERATURE: -65°C TO 165°C
- 4.3 MOISTURE RESISTANCE: MIL-STD-202, METHOD 106
- 4.4 MECHANICAL SHOCK: MIL-STD-202, METHOD 213, CONDITION I
- 4.5 VIBRATION: MIL-STD-202, METHOD 204, CONDITION D



RECOMMENDED MACHINING DETAILS



A DETAIL (18/1)



	Model No: 149-0701-601/610	JOHNSON	
	No PROPRIETARY Document in Property of Cinch Connectivity Solutions This document is controlled in order, non-reproducible and issued with the clear understanding that it is not to be used without written permission and is reusable upon demand.	RoHS <input checked="" type="checkbox"/> ELVD/2015/863 COMPLIANT	Code Code 3RD ANGLE PROJECTION UNLESS OTHERWISE SPECIFIED DATE: 11/05/2020 Drawn By: Bill Peng Size: B Scale: DO NOT SCALE DRAWING