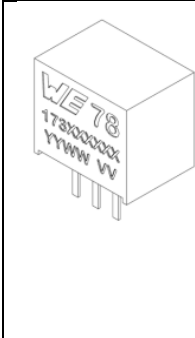
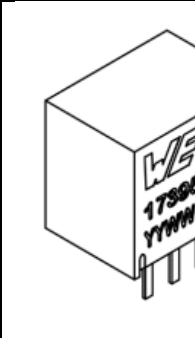
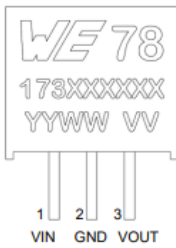
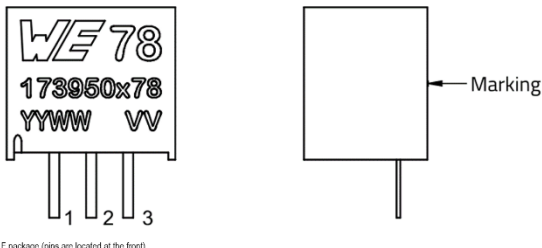
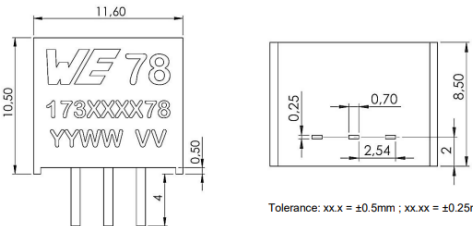
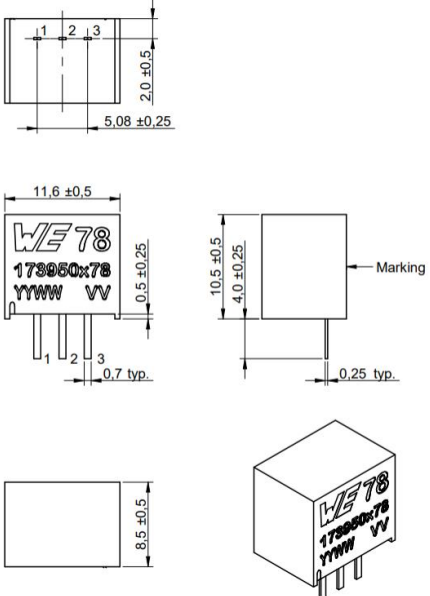


Product / Process Change Notification (PCN)	
<input checked="" type="checkbox"/> Major change <input type="checkbox"/> Minor change	
PCN #: PCN_WPME-FDSM_20220520_5 Affected Series: FDSM; 173950378, 173950578 PCN Date: February 21, 2022 Effective Date: May 20, 2022	Change Category: <input type="checkbox"/> Equipment / Location <input checked="" type="checkbox"/> General Data <input type="checkbox"/> Material <input type="checkbox"/> Process <input type="checkbox"/> Product Design <input type="checkbox"/> Shipping / Packaging <input type="checkbox"/> Supplier <input type="checkbox"/> Software
Contact: Product Management Phone: +49 (0) 7942 - 945 5001 Fax: +49 (0) 7942 - 945 5179 E-Mail: pcn.eisos@we-online.com	Data Sheet Change: <input checked="" type="checkbox"/> Yes <input type="checkbox"/> No Attachment: <input checked="" type="checkbox"/> Yes <input type="checkbox"/> No
Description and purpose of change: <p>For the purpose of a datasheet information enlargement, Würth Elektronik has updated the internal content of the datasheet.</p> <p>This is a datasheet correction only. There will be no change in form, fit, function, quality or reliability of the product.</p>	
Detail of Change: 1. Updated front page drawing. (page 1)	
Before 	After 

2. Updated pinout drawing to include pin 1 marking. (page 2)

Before	After
<p>PACKAGE</p> 	<p>PINOUT (PACKAGE TYPE F)</p>  <p>Type F package (pins are located at the front)</p>

3. Updated physical dimensions drawings to include pin 1 marking. (page 37)

Before	After
<p>PHYSICAL DIMENSIONS</p>  <p>Tolerance: xx.x = ±0.5mm ; xx.xx = ±0.25mm</p>	<p>PHYSICAL DIMENSIONS</p> 

Reliability / Qualification Summary:

There will be no change of the product, therefore no additional reliability or qualification testing will be performed.