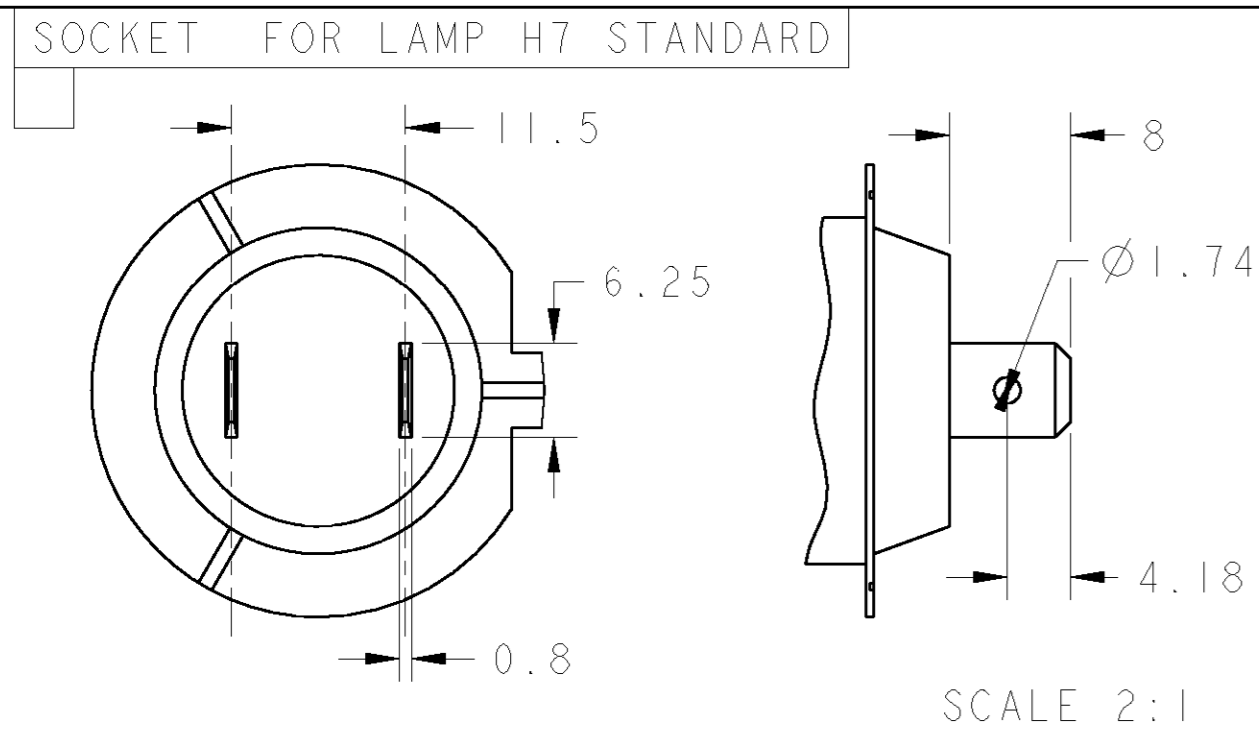
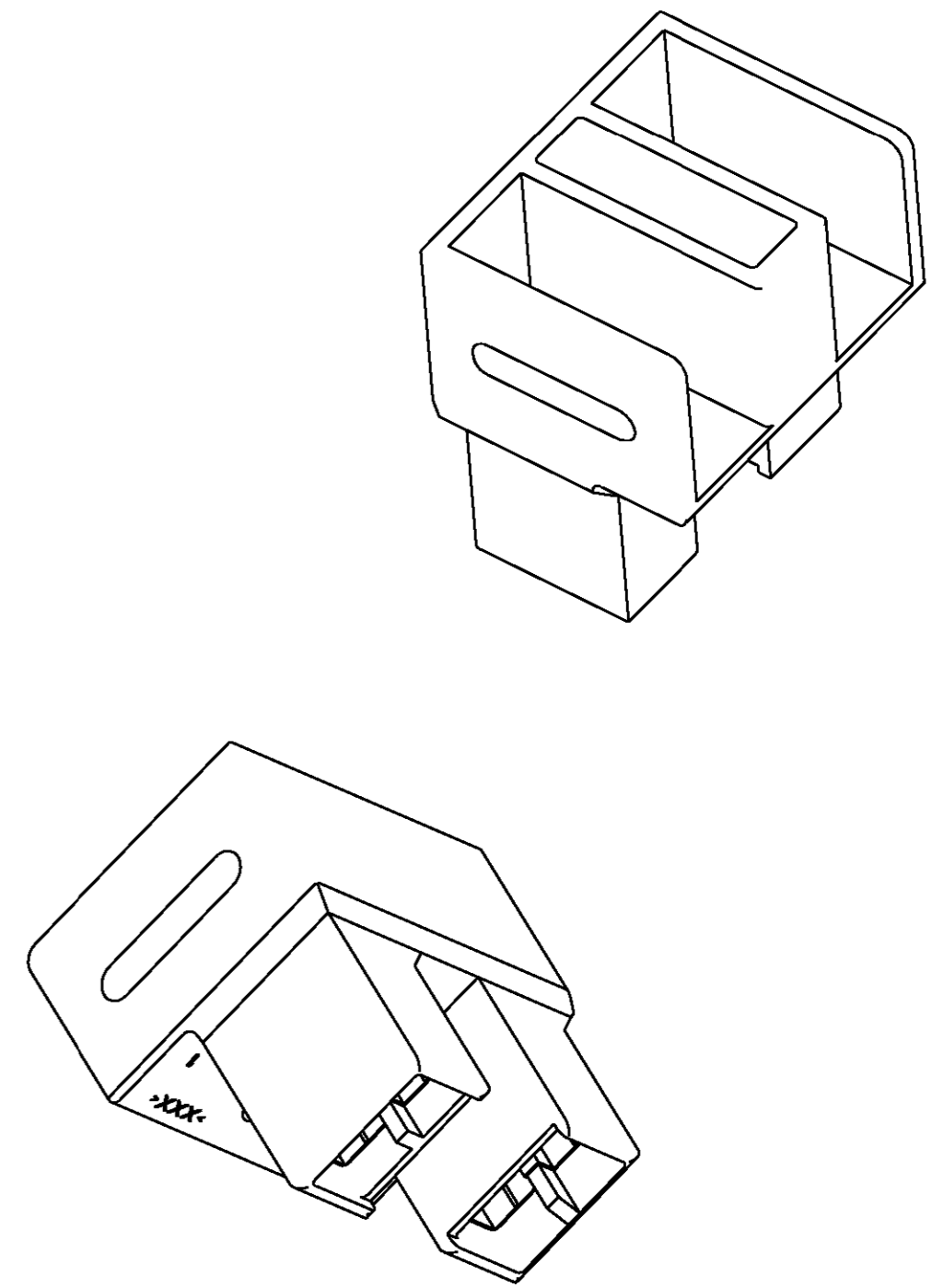
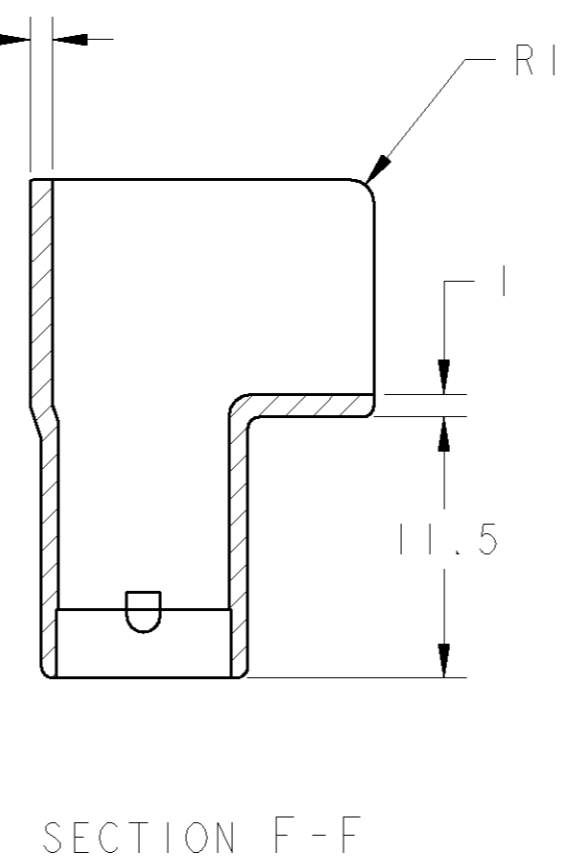
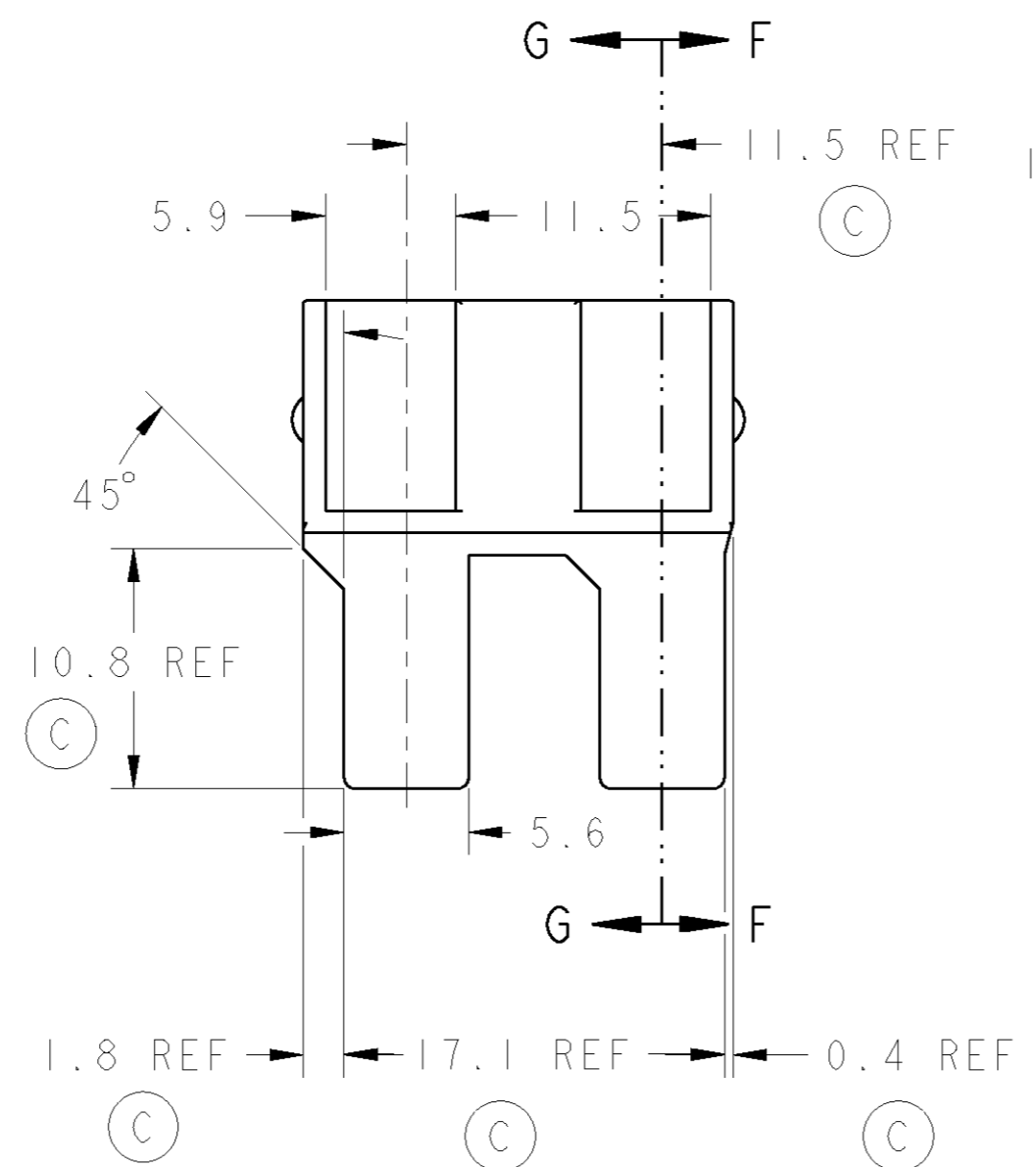
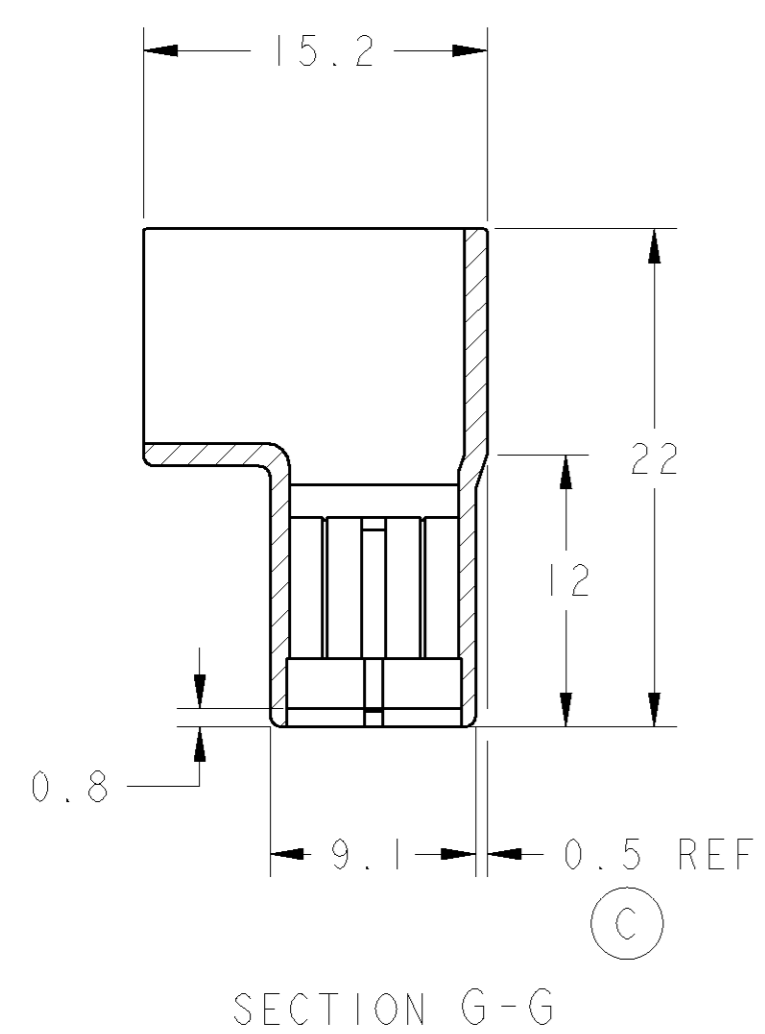
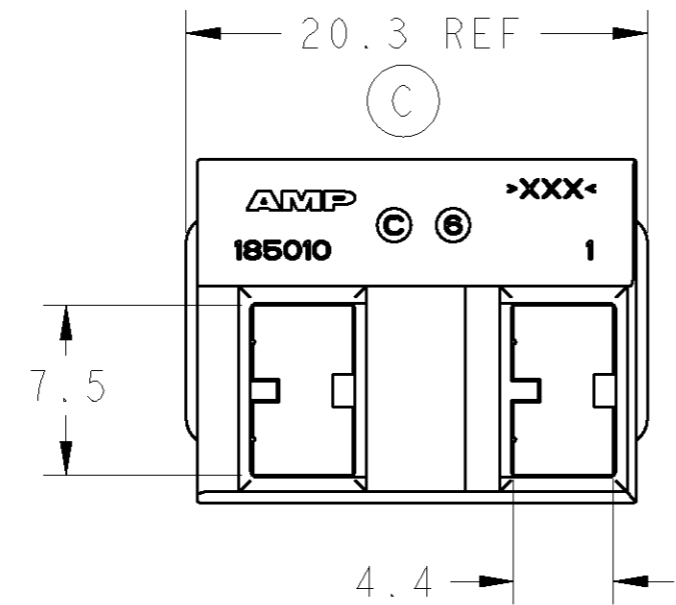


THIS DRAWING IS UNPUBLISHED.  
 DIFFUSION RESTREINTE  
 © COPYRIGHT 20 BY TYCO ELECTRONICS CORPORATION. ALL RIGHTS RESERVED.  
 TOUS DROITS RESERVES

LOC	DIST	REVISIONS					
		P	LTR	DESCRIPTION MODIFICATIONS	DATE	DWN DESS.	APVD APP.
AL	2		B	AJOUT VERSION PA66 MARRON	14MAR96	JJR	-
			C	185010-2 NOIR REMPLACE 185010-1	13AUG01	AA	JJR
			D	REVISED PER ES00-0040-02	02APR02	JL	JL
			E	REVISED PER ES00-0136-02	16OCT02	JL	JL



CAJA  
 PARA TERM.  
 DE SEGURIDAD  
 REF. 282349-1

HOUSING FOR  
 POSITIVE LOCK  
 P.N 282349-1

185010-2	PA66 20% GF	BLACK
185010-1	PCT 30% GF	BLACK
PART NUMBER	MATERIAL	COLOR

THIS DRAWING IS A CONTROLLED DOCUMENT FOR TYCO ELECTRONICS CORPORATION IT IS SUBJECT TO CHANGE AND THE CONTROLLING ENGINEERING ORGANIZATION SHOULD BE CONTACTED FOR THE LATEST REVISION. CE PLAN EST UN DOCUMENT CONTROLÉ PAR TYCO ELECTRONICS. IL EST SUSCEPTIBLE D'ÊTRE REVISÉ. CONTACTER LE SERVICE TECHNIQUE DE TYCO ELECTRONICS POUR OBTENIR LA DERNIÈRE RÉVISION.		DWN/DESSINE JJ REV11 14MAR1996	TYCO ELECTRONICS AMP ESPAÑOLA S.A BARCELONA ESPAÑA	
DIMENSIONS: mm		CHK/VERIFIE Y. PETRONIN 30MAY1996	NAME TITRE	
TOLERANCES UNLESS OTHERWISE SPECIFIED: (SUIV NB DE DECIMALES) 0 PLC/DEC: ± 1 PLC/DEC: ±0.3 2 PLC/DEC: ± 3 PLC/DEC: ± 4 PLC/DEC: ± ANGLES: ±5°		APVD/APROUVE Y. PETRONIN 30MAY1996	PRODUCT SPEC SPEC. PRODUIT	
MATERIAL/MATIERE SEE TABLE		FINISH/FINITION -	APPLICATION SPEC SPEC. APPLICATION	
		WEIGHT MASSE APPROX.	SIZE FORMAT	
		CUSTOMER DRAWING /PLAN CLIENT	UNIFORMENT POUR REFERENCE	SCALE ECHELLE 2:1
			SHEET FEUILLE	OF DE
			REV E	