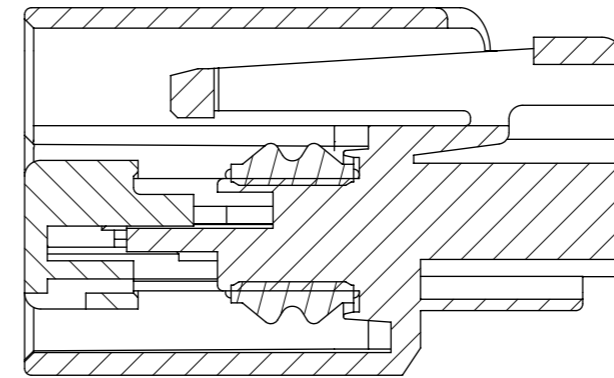
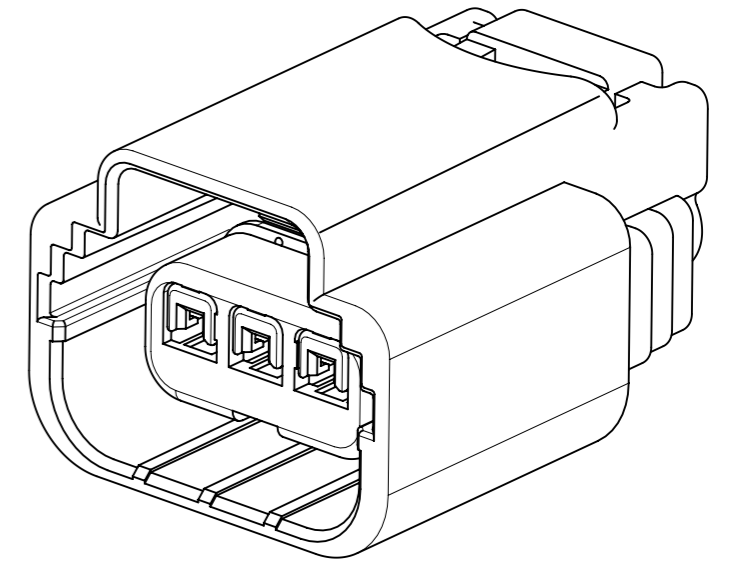
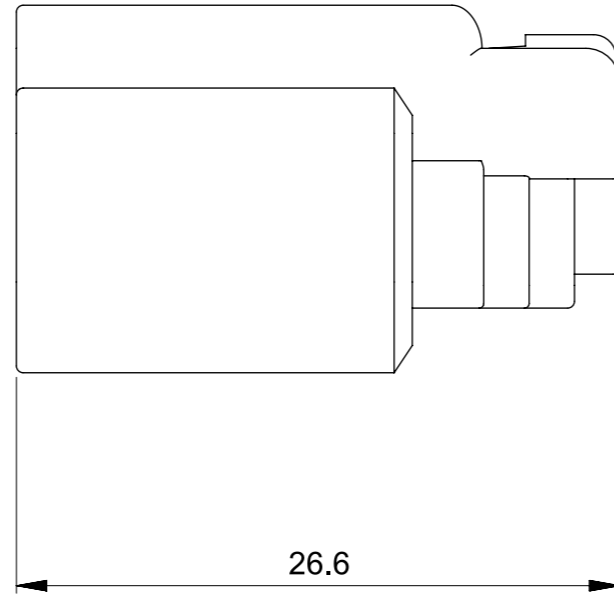
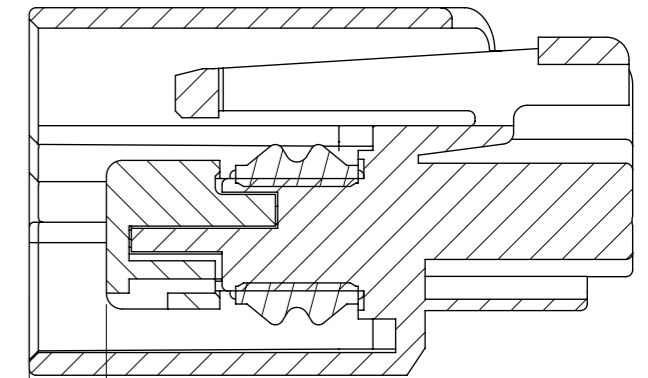


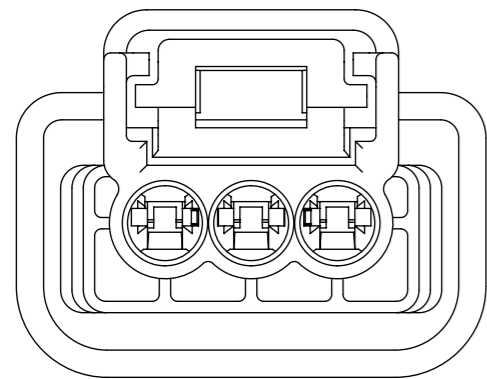
REC HOUSING
REC TPA
RING SEAL



SECTION A-A
TPA IN PRIMARY LOCK POSITION



SECTION A-A
TPA IN FINAL LOCK POSITION



NOTES

1. 適合ターミナル : 2018615000
2. 使用材料
REC HOUSING : PBT, BLACK
REC TPA : PBT, NATURAL
RING SEAL : シリコーン, RED

1. APPLICABLE TERMINAL : 2018615000
2. MATERIAL
REC HOUSING : PBT, BLACK
REC TPA : PBT, NATURAL
RING SEAL : SILICONE, RED

| | | | |
|------|------------|-----|-----|
| 28.3 | 2024830051 | 1 | 5 |
| 24.5 | 2024830041 | | 4 |
| 20.7 | 2024830031 | | 3 |
| A | ORDER NO. | ROW | CKT |

| | | | | |
|--------------------|---|--------------------|--------------------------|---------------------|
| FUNCTIONAL SYMBOLS | THIS DRAWING CONTAINS INFORMATION THAT IS PROPRIETARY TO MOLEX ELECTRONIC TECHNOLOGIES, LLC AND SHOULD NOT BE USED WITHOUT WRITTEN PERMISSION | | CURRENT REV DESC: | |
| | △/A = 0 | mm | NTS | |
| DIVISIONAL SYMBOLS | GENERAL TOLERANCES (UNLESS SPECIFIED) | | PHASE: Design Production | |
| | △/E = 0 | ANGULAR TOL ± 3.0° | | CO NO: CO-000001319 |
| | 4 PLACES | ± 0.20000 | DRWN: Hideo Yoneyama | 2022-08-10 |
| | 3 PLACES | ± 0.2000 | CHK'D: Takashi Iida | 2022-08-15 |
| | 2 PLACES | ± 0.200 | APPR: Takashi Iida | 2022-08-22 |
| | 1 PLACE | ± 0.20 | INITIAL REVISION: | |
| | 0 PLACES | ± 0.20 | DRWN: Hideo Yoneyama | 2021-12-17 |
| | DRAFT WHERE APPLICABLE MUST REMAIN WITHIN DIMENSIONS | | APPR: Takashi Iida | 2022-02-14 |
| | THIRD ANGLE PROJECTION | DRAWING | SERIES | DOCUMENT NUMBER |
| | | A3-SIZE | 202483 | 2024830001 |
| | | | MATERIAL NUMBER | DOC TYPE |
| | | | GENERAL | PSD |
| | | | CUSTOMER | DOC PART |
| | | | | 000 |
| | | | | REVISION |
| | | | | A1 |
| | | | | SHEET NUMBER |
| | | | | 1 OF 1 |