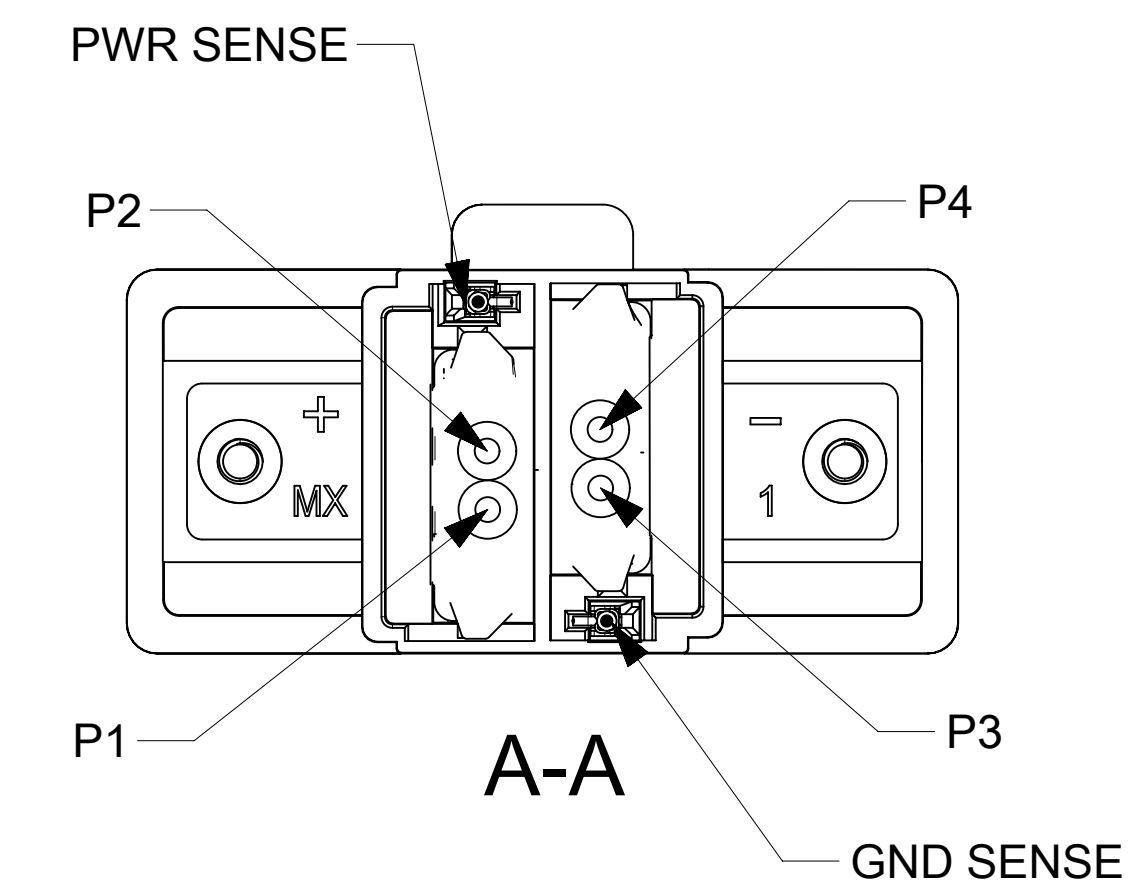
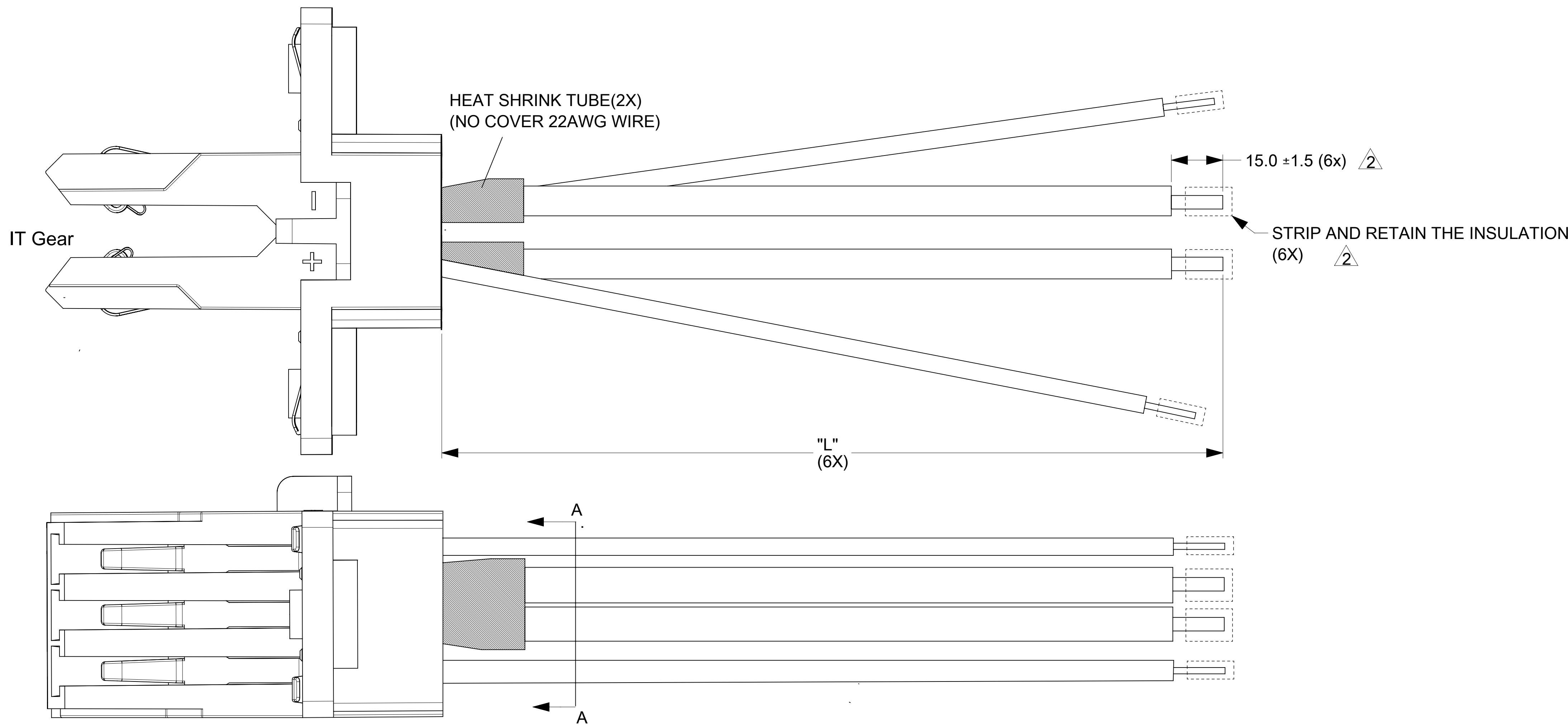
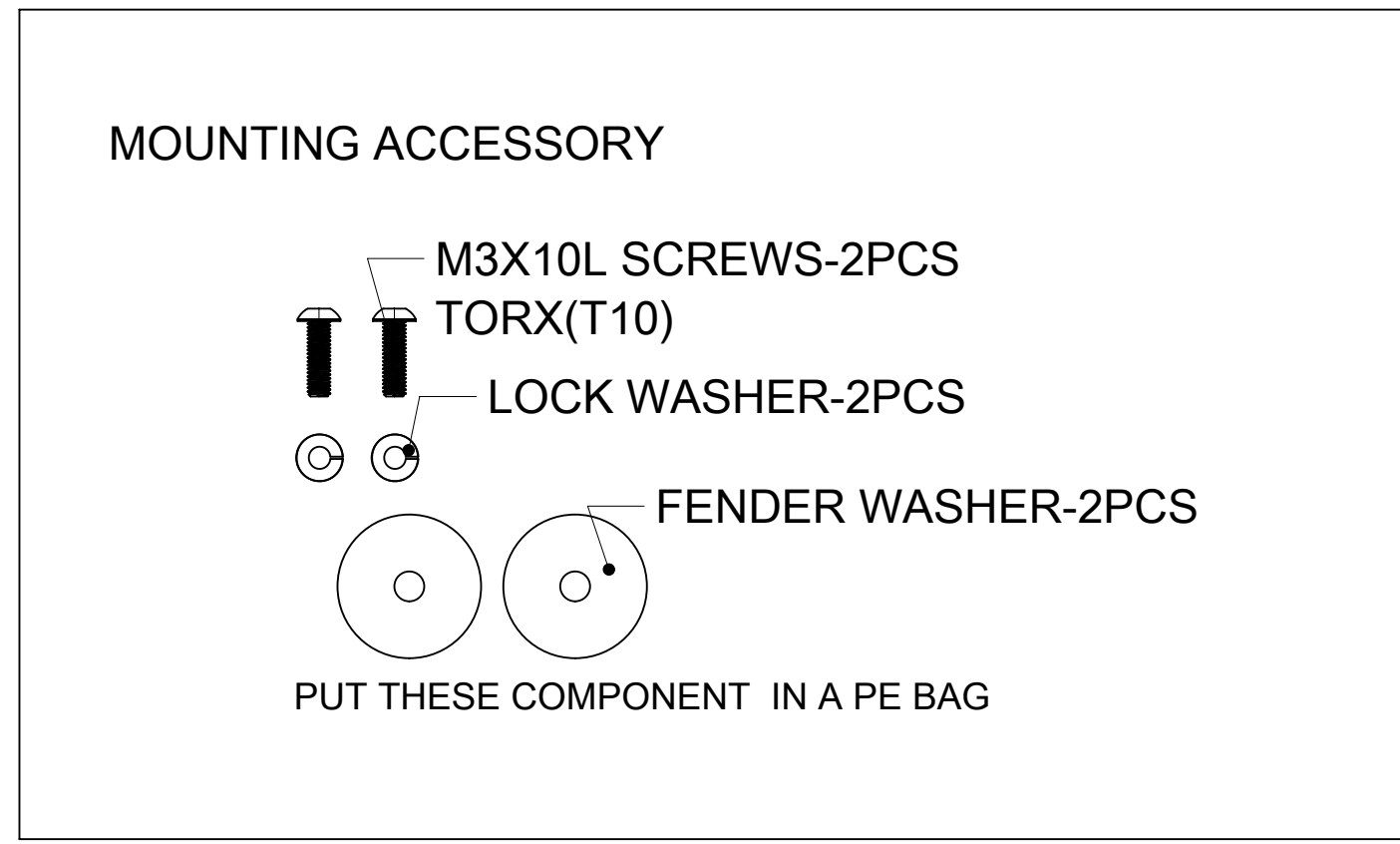


REVISIONS				
EC NO	DATE	REV	DESCRIPTION	CHANGER
	2022.08.31	1	INITIAL RELEASE	LUCY

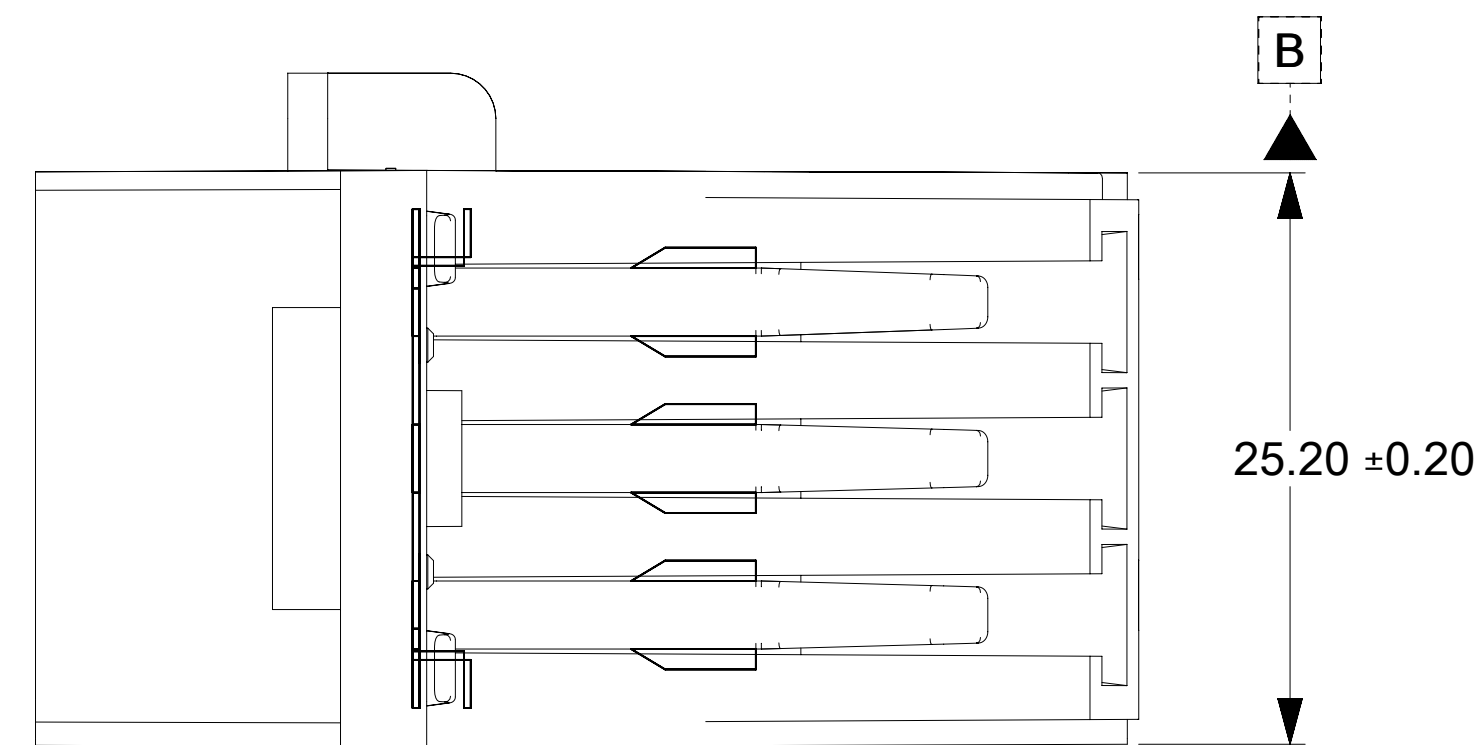
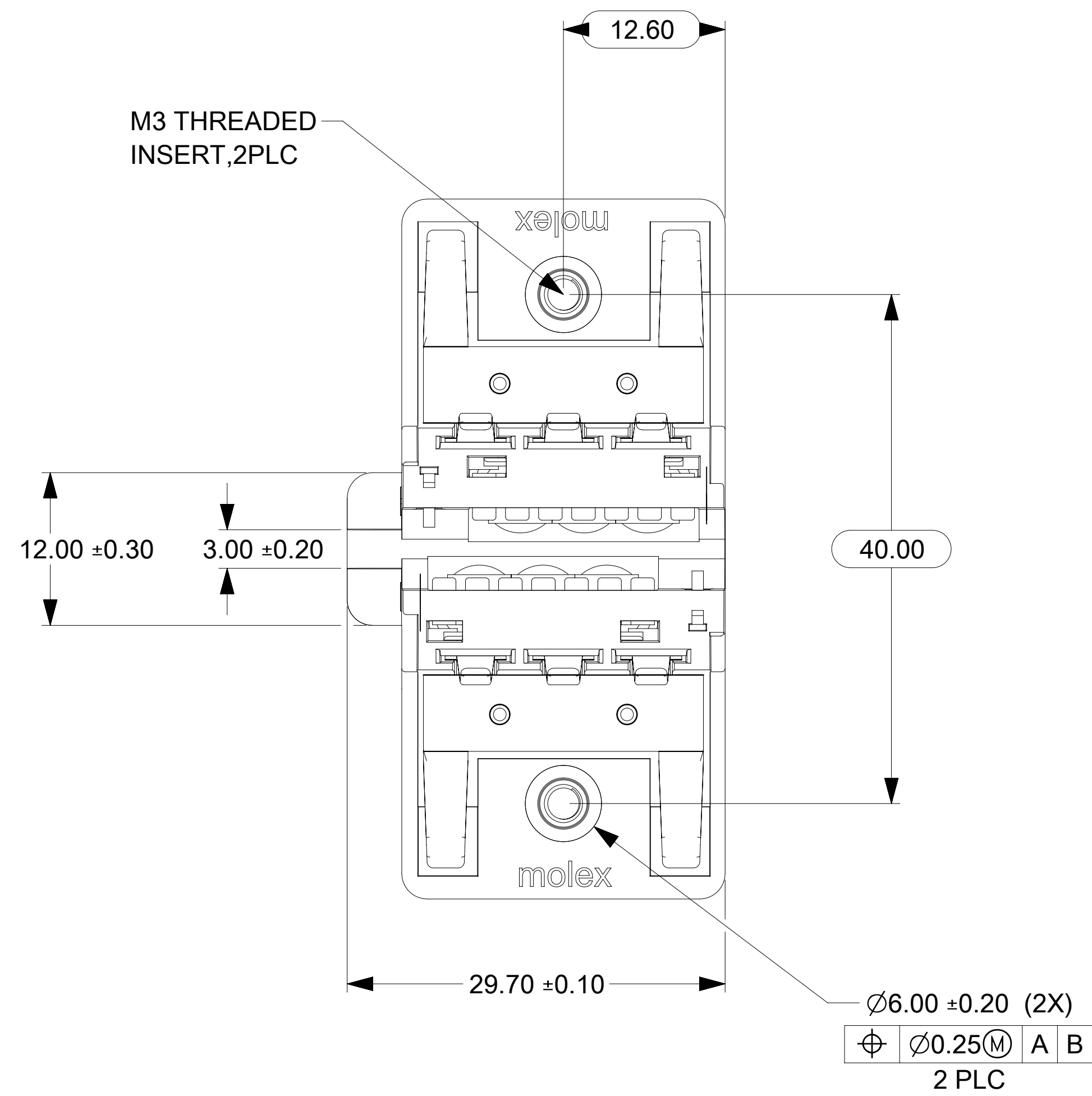
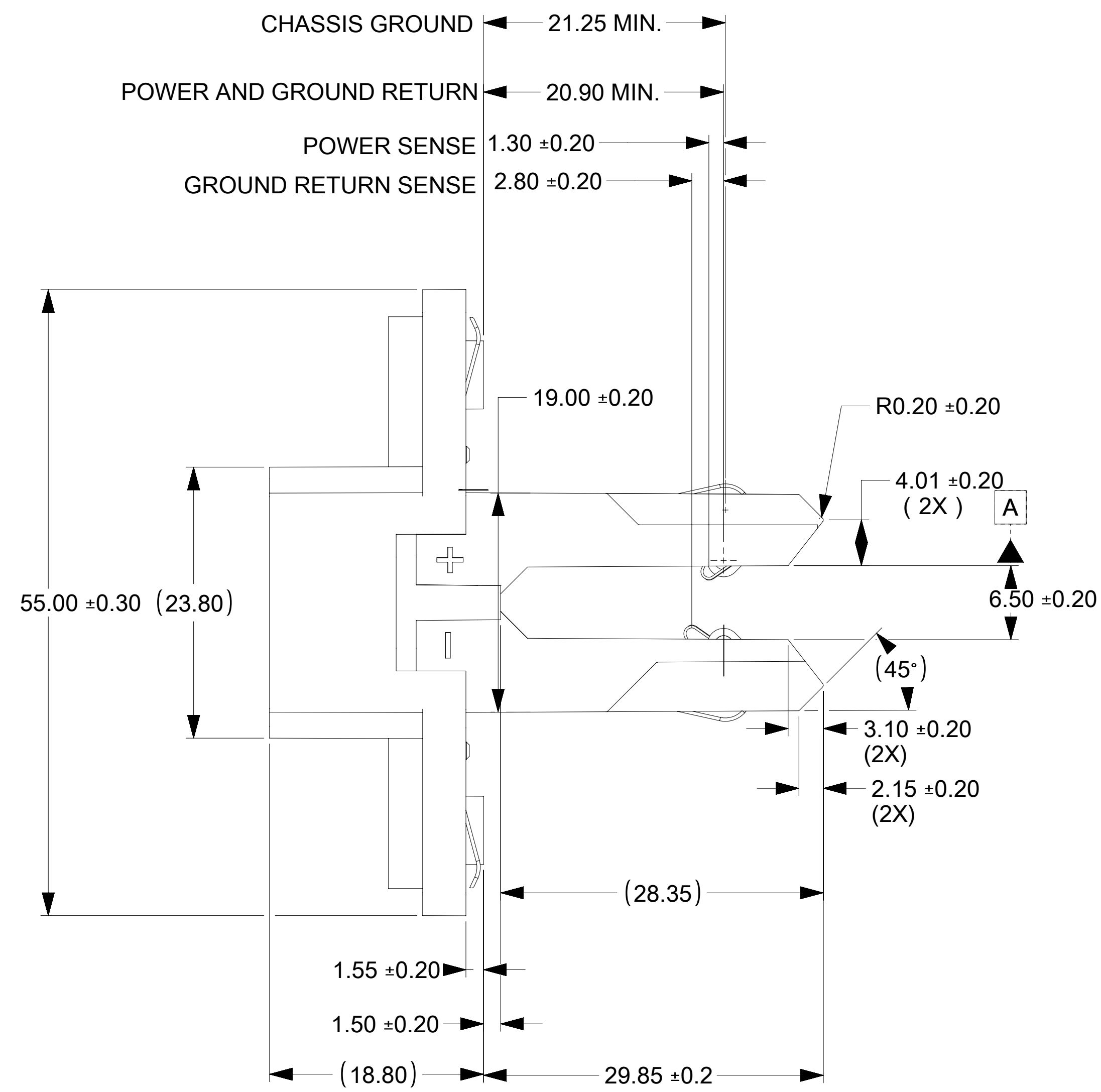


WIRE CHART			
POSITION	WIRE LENGTH "L"+10/-0mm	WIRE STYLE	NOTE
P1	450	UL 3132	6 AWG-RED(1X)
P2	450	UL 3132	6 AWG-RED(1X)
P3	450	UL 3132	6 AWG-BLACK(1X)
P4	450	UL 3132	6 AWG-BLACK(1X)
PWR SENSE	450	UL 10368	22 AWG-RED(1X)
GND SENSE	450	UL 10368	22 AWG-BLACK(1X)

- NOTES :
- MATERIAL :
 - MAIN HOUSING : NYLON, 30% GF, UL94V0, COLOR: BLACK
 - POWER TERMINALS : COPPER ALLOY
 - CURRENT SENSE TERMINALS : COPPER ALLOY
 - CHASSIS GROUND TERMINALS: COPPER ALLOY
 - FINISH:
 - POWER TERMINALS: SILVER OVER NICKEL
 - CURRENT SENSE TERMINALS: SILVER OVER NICKEL
 - CHASSIS GROUND TERMINALS: TIN OVER NICKEL
 - PRODUCT SPECIFICATION : 2181940000-PS
 - APPLICATION SPECIFICATION : TBD.
 - THIS PART MUST MEET EU RoHS REQUIREMENT
 - PANEL MOUNTING HARDWARE TO BE SHIP IN PACKAGING
 - ASSEMBLY SHOWN IS FOR REFERANCE PURPOSE.
 - PARTS TO BE PACKED AS PER MOLEX PACKAGING SPECIFICATION : 2181940010-PK
 - TORQUE RANGE FOR APPLICATION MOUNTING HARDWARE SHALL BE 0.4- TO 0.6 N-m FOR REFERENCE



FUNCTIONAL SYMBOLS FA = 0 FC = 0 FD = 0	THIS DRAWING CONTAINS INFORMATION THAT IS PROPRIETARY TO MOLEX ELECTRONIC TECHNOLOGIES, LLC AND SHOULD NOT BE USED WITHOUT WRITTEN PERMISSION		CURRENT REV DESC:					
	DIMENSION UNITS mm	SCALE 3:1						
	GENERAL TOLERANCES (UNLESS SPECIFIED)		EC NO: 719729					
	ANGULAR TOL ± °		DRWN: LLI205 2022/08/31					
DIVISIONAL SYMBOLS	4 PLACES ±	CHK'D: LLI205 2022/08/31						
	3 PLACES ±	APPR: YXZOU 2022/09/01						
	2 PLACES ± 0.25	INITIAL REVISION:						
	1 PLACE ± 0.38	DRWN: LLI205 2022/07/08						
0 PLACES ±	APPR: YXZOU 2022/09/01		PRODUCT CUSTOMER DRAWING IT GEAR 450MM TEST PIGTAIL					
DRAFT WHERE APPLICABLE MUST REMAIN WITHIN DIMENSIONS		THIRD ANGLE PROJECTION	DRAWING D-SIZE	SERIES 218194	DOCUMENT NUMBER 2181940010	DOC TYPE PSD	DOC PART 000	REVISION A
		MATERIAL NUMBER 2181940010		CUSTOMER		SHEET NUMBER 1 OF 3		



FUNCTIONAL SYMBOLS	THIS DRAWING CONTAINS INFORMATION THAT IS PROPRIETARY TO MOLEX ELECTRONIC TECHNOLOGIES, LLC AND SHOULD NOT BE USED WITHOUT WRITTEN PERMISSION		
	DIMENSION UNITS	SCALE	CURRENT REV DESC:
FA = 0	mm	3:1	
DIVISIONAL SYMBOLS	GENERAL TOLERANCES (UNLESS SPECIFIED)		
	ANGULAR TOL	±	°
	4 PLACES	±	
	3 PLACES	±	
	2 PLACES	±	0.25
	1 PLACE	±	0.38
	0 PLACES	±	
DRAFT WHERE APPLICABLE MUST REMAIN WITHIN DIMENSIONS		THIRD ANGLE PROJECTION	DRAWING
		⊕	D-SIZE
		SERIES	MATERIAL NUMBER
		218194	2181940010
		CUSTOMER	SHEET NUMBER
			2 OF 3

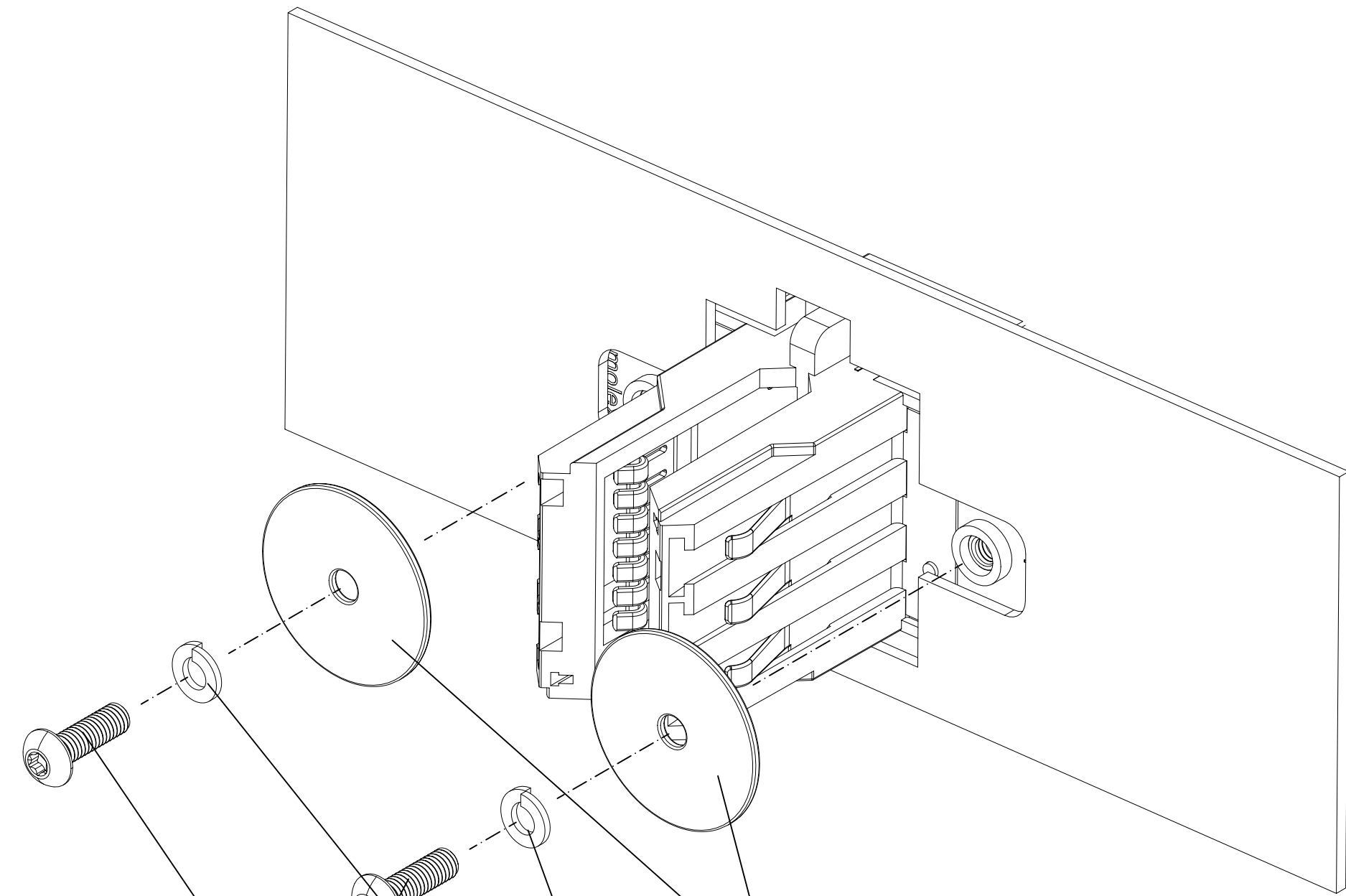
molex

IT GEAR 450MM TEST PIGTAIL

PRODUCT CUSTOMER DRAWING

DOCUMENT NUMBER	DOC TYPE	DOC PART	REVISION
2181940010	PSD	000	A

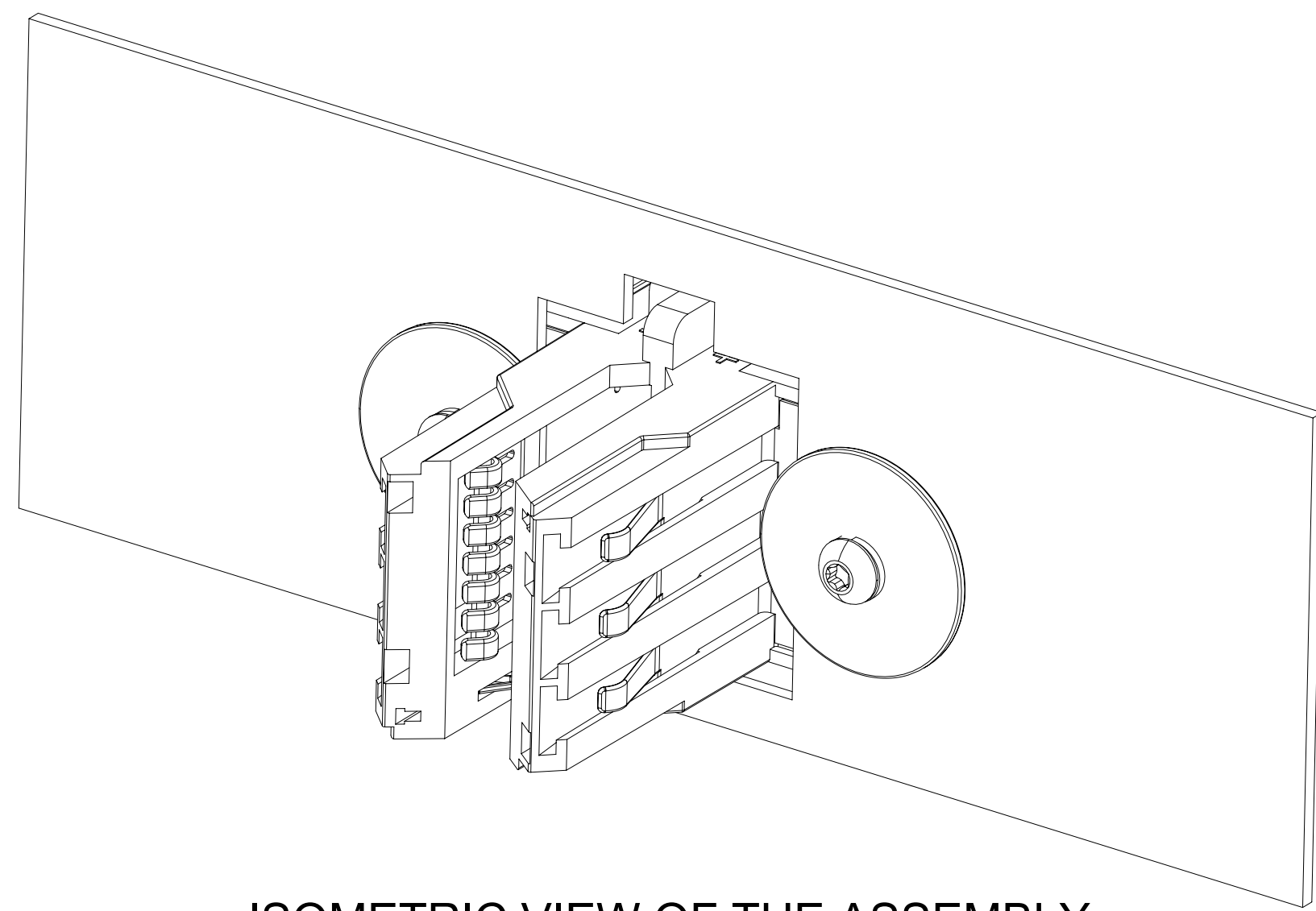
EXPLODED VIEW OF THE ASSEMBLY WITH FASTENERS & PANEL



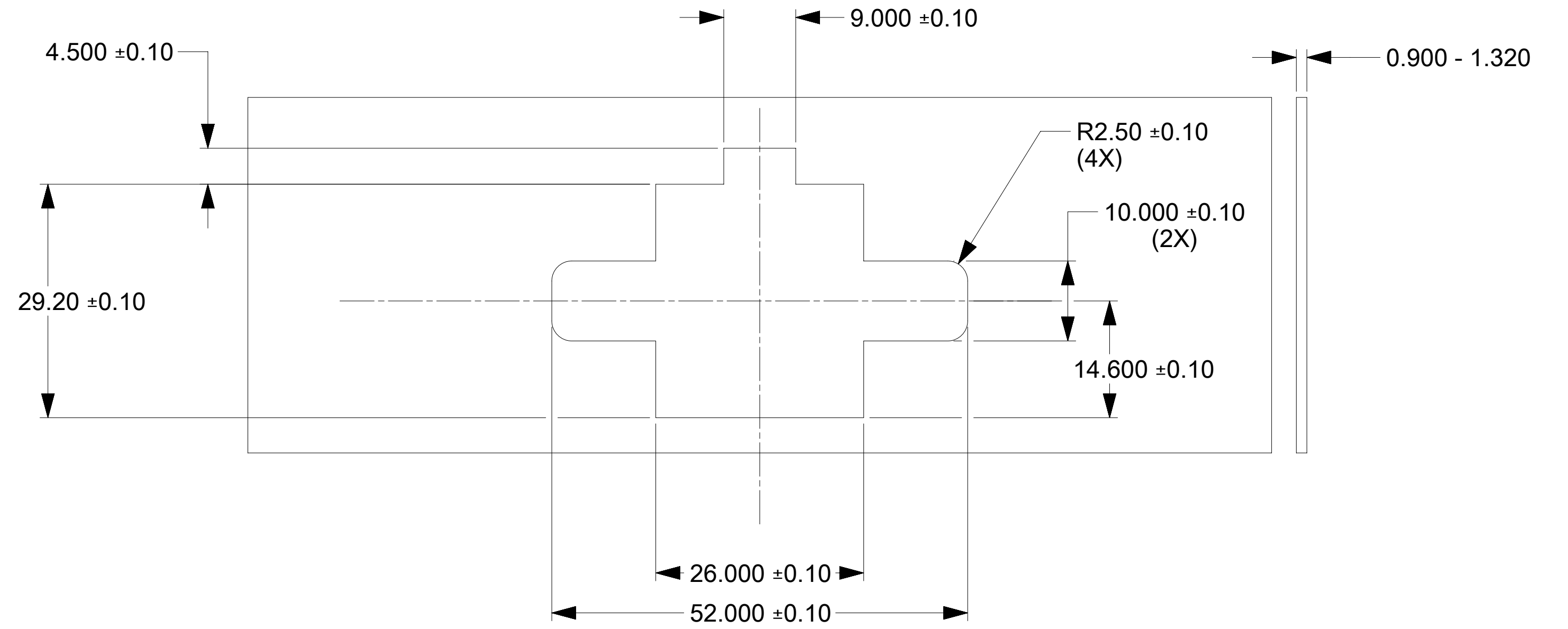
TORX SCREW M3X10L
(SEE NOTE 6)

WASHER
OUTER DIAMETER:20.0 MM
(SEE NOTE 6)

M3 LOCK WASHER
(SEE NOTE 6)



ISOMETRIC VIEW OF THE ASSEMBLY
WITH FASTENERS & PANEL



RECOMMENDED PANEL CUT-OUT

FUNCTIONAL SYMBOLS $\nabla_A = 0$ $\nabla_C = 0$ $\nabla_D = 0$	THIS DRAWING CONTAINS INFORMATION THAT IS PROPRIETARY TO MOLEX ELECTRONIC TECHNOLOGIES, LLC AND SHOULD NOT BE USED WITHOUT WRITTEN PERMISSION		CURRENT REV DESC:		
	DIMENSION UNITS	SCALE	EC NO: 719729		
	mm	3:1	DRWN: LLI205 2022/08/31		
	GENERAL TOLERANCES (UNLESS SPECIFIED)		CHK'D: LLI205 2022/08/31		
ANGULAR TOL ± °		APPR: YXZOU 2022/09/01		PRODUCT CUSTOMER DRAWING	
4 PLACES ±		INITIAL REVISION:		DOCUMENT NUMBER	DOC TYPE
3 PLACES ±		DRWN: LLI205 2022/07/08		2181940010	PSD
2 PLACES ± 0.25		APPR: YXZOU 2022/09/01		000	REVISION
1 PLACE ± 0.38		DRAFT WHERE APPLICABLE MUST REMAIN WITHIN DIMENSIONS		A	
0 PLACES ±		THIRD ANGLE PROJECTION	DRAWING	SERIES	MATERIAL NUMBER
			D-SIZE	218194	2181940010
				CUSTOMER	SHEET NUMBER
					3 OF 3