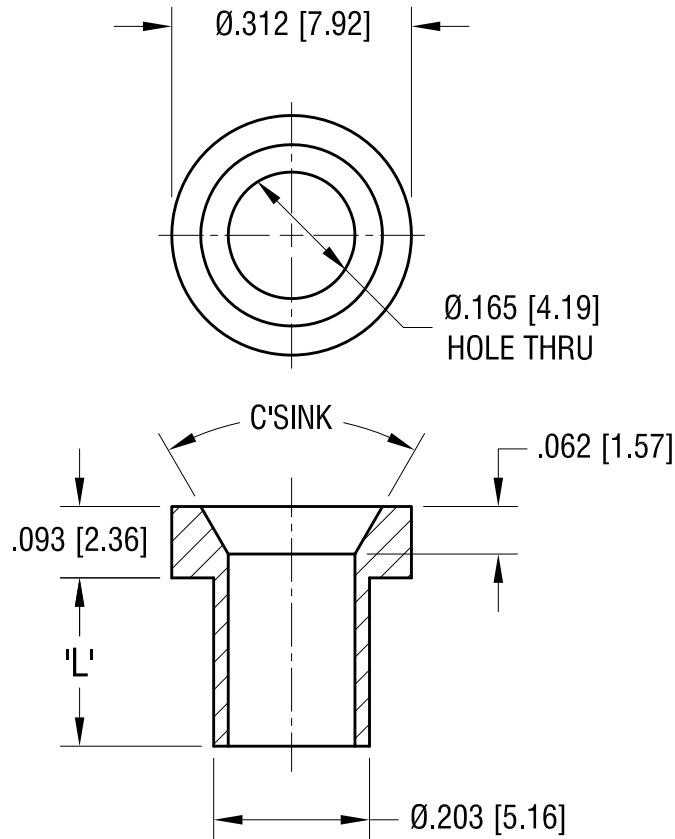


THIS DOCUMENT IS THE PROPERTY OF
KEYSTONE ELECTRONICS CORP. AND
SHALL NOT BE REPRODUCED, DISTRIBUTED
OR USED AS A BASIS FOR MANUFACTURE
WITHOUT PRIOR WRITTEN PERMISSION
FROM KEYSTONE ELECTRONICS CORP.

ACTUAL SIZE



P/N 575-6



PART NO.	'L' DIM.
575-4	.218 [5.53]
575-6	.265 [6.73]
575-8	.350 [8.89]

NOTE:

1. RECOMMENDED MOUNTING HOLE: \varnothing .213 [5.41]

DATE	DESCRIPTION	REV.
11.7.94	CHANGE AS PER ECR 94-062	B
11.28.84	REVISED	A

KEYSTONE ELECTRONICS CORP.			
www.keyelco.com • NEW HYDE PARK NY 11040 • Tel (516)328-7500			
PART NAME			
NON-INSULATED JACK			
MATERIAL			
BRASS			
FINISH		DRN BY	DATE
NICKEL PLATE		BOONE	2.21.82
		APP'D	SCALE
		RH	4X
TOLERANCES	INCH [MM]	CODE	DWG NO.
DECIMAL	$\pm .005$ [± 0.13]	C	575-
ANGULAR	$\pm 1^\circ$		
UNLESS OTHERWISE SPECIFIED			