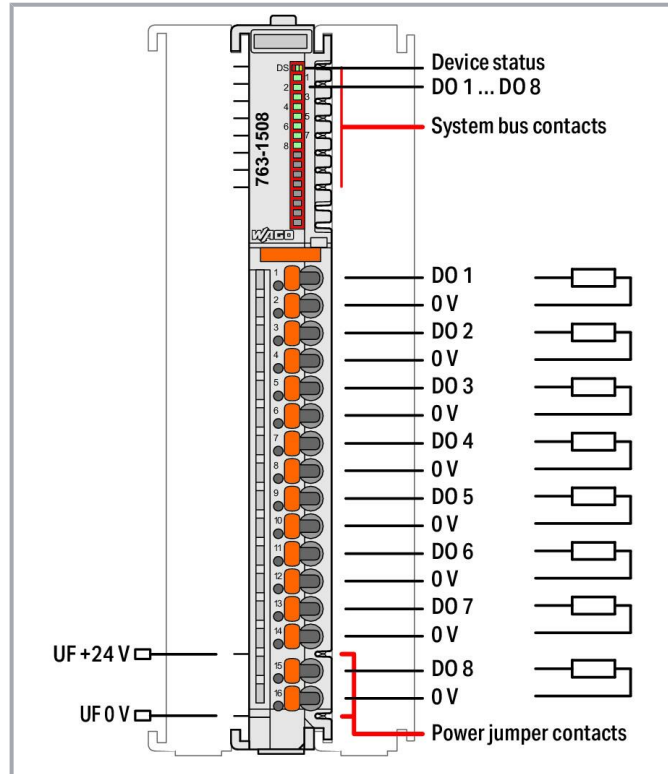
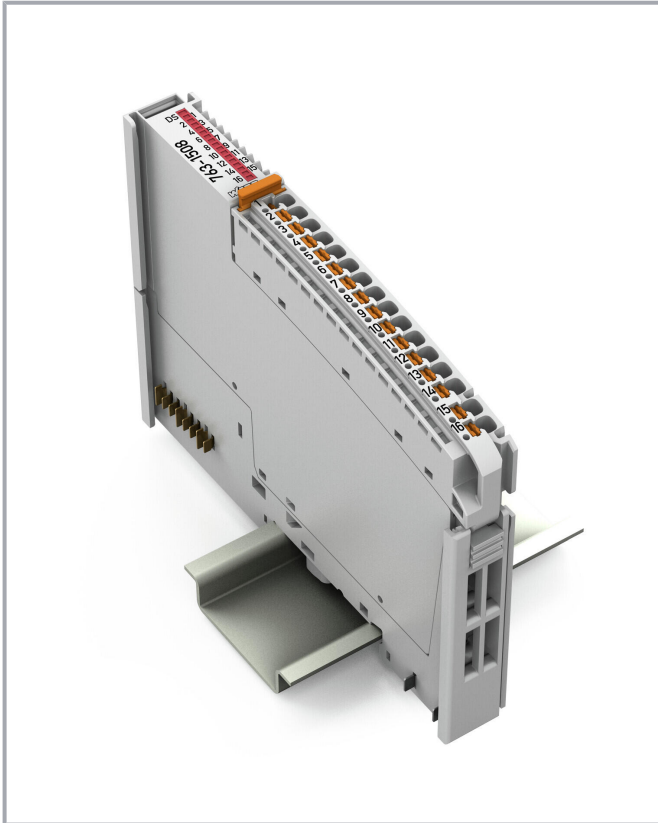


Data sheet | Item number: 763-1508
8-channel digital output; 24 VDC 0.5 A; High-Speed

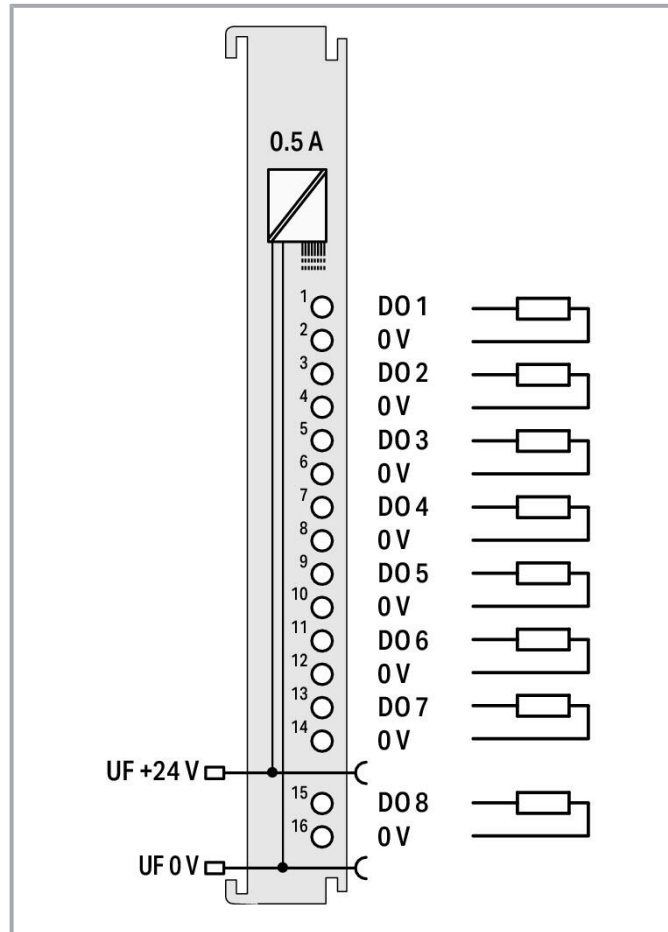
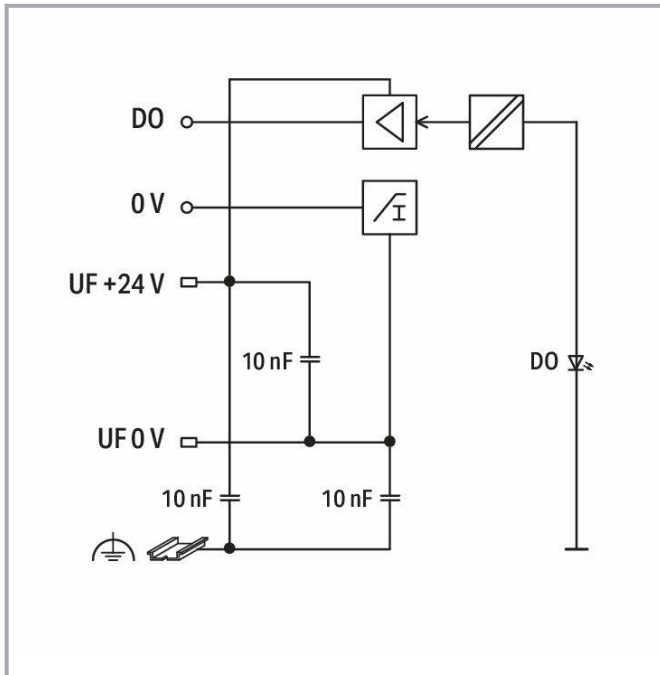
www.wago.com/763-1508



Subject to changes. Please also observe the further product documentation!

WAGO GmbH & Co. KG
Hansastr. 27
32423 Minden
Phone: +49571 887-0 | Fax: +49571 887-169
Email: info.de@wago.com | Web: www.wago.com

Do you have any questions about our products?
We are always happy to take your call at +49 (571) 887-44222.



Item description

This three-part digital output module is a 2-wire device featuring eight channels in a width of just 12 mm (0.47 inch).

The module consists of a base module, an electronic module and a pluggable connector.

It transmits binary control signals from an automation device to connected actuators (e.g., magnetic valves, contactors, transmitters, relays or other electrical loads).

The module features Push-in CAGE CLAMP® connections, enabling solid conductors to be connected by simply pushing them in.

A green LED indicates the signal state of each channel.

Field and system levels are electrically isolated.

Data

Technical data

Device-specific	Synchronization mode: time-synchronized, freewheeling
Number of digital outputs	8
Total number of channels (module)	8
Signal type	Voltage

Subject to changes. Please also observe the further product documentation!

WAGO GmbH & Co. KG

Hansastr. 27

32423 Minden

Phone: +49571 887-0 | Fax: +49571 887-169

Email: info.de@wago.com | Web: www.wago.com

Do you have any questions about our products?

We are always happy to take your call at +49 (571) 887-44222.



Signal type (voltage)	24 VDC
Output characteristic	Semiconductor, push-pull
Output current per channel	0.5 A
Output current (module)	4 A
Protection against incorrect wiring	short-circuit-protected self-resetting
Switching frequency (max.)	15 kHz; Resistive load
Switching frequency (max.) (2)	3 Hz; Inductive load
Switching frequency (max.) (3)	500 Hz; Lamp load
Load type	Resistive: 48 Ω ... 16 kΩ, at 24 V; Inductive: DC13; Lamp load: up to 5 W
Output voltage	24 VDC
Delay time T _{on} from 0 to 1	2 μs
Delay time T _{off} from 1 to 0	2 μs
Data width	8-bit channel status
Supply voltage (field)	24 VSELV DC (-25 ... +30 %); UF
Current consumption, field supply (module with no external load)	24 mA
Power loss P _I	1.6 W
Isolation, Field/System	min. 1000 VDC (1 min); per EN/UL 61010-2-201
Number of incoming power jumper contacts	2
Number of outgoing power jumper contacts	2
Current carrying capacity (power jumper contacts)	12 A
Marking	CI I, Div. 2, Group A, B, C, D, T4

Connection data

Connection type 1	Inputs/outputs
Solid conductor	0.25 ... 1.5 mm ² / 22 ... 16 AWG
Fine-stranded conductor	0.25 ... 1.5 mm ² / 22 ... 16 AWG
Strip length	8 ... 9 mm / 0.31 ... 0.35 inches
Note (conductor cross-section)	Insulated ferrule: 0.75 mm ² (max.)

Physical data

Width	12 mm / 0.472 inches
Height	105 mm / 4.134 inches
Depth	75 mm / 2.953 inches

Subject to changes. Please also observe the further product documentation!

WAGO GmbH & Co. KG
Hansastr. 27
32423 Minden
Phone: +49571 887-0 | Fax: +49571 887-169
Email: info.de@wago.com | Web: www.wago.com

Do you have any questions about our products?
We are always happy to take your call at +49 (571) 887-44222.



Mechanical Data

Mounting type	DIN-35 rail
---------------	-------------

Material Data

Fire load	0.062 MJ
Weight	73 g
Conformity marking	CE

Environmental requirements

Ambient temperature (operation)	-25 ... +60 °C (Horizontal, typical control cabinet installation; -25 ... +50 °C, other mounting positions)
Ambient temperature (storage)	-40 ... +85 °C
Protection type	IP20
Pollution degree	2
Operating altitude	without temperature derating: 0 ... 2000 m; with temperature derating: 2000 ... 3000 m (0.5 K/100 m)
Mounting position	horizontal, typical for control cabinets (nominal mounting position); horizontal (floor mounting position); standing (vertical at bottom)
Relative humidity (without condensation)	95 %
EMC immunity to interference	per EN 61000-6-1, -2
EMC emission of interference	per EN 61000-6-3, -4

Commercial data

PU (SPU)	1 pcs
Country of origin	DE
GTIN	4055143975643
Customs tariff number	85371098990

Environmental Product Compliance


CAS-No.	693-98-1 7439-92-1
REACH Candidate List Substance	2-methylimidazole Lead Perfluorobutane sulfonic acid (PFBS) and its salts
RoHS Compliance Status	Compliant, With Exemption
RoHS Exemption	7(a)

Subject to changes. Please also observe the further product documentation!


	7(c)-I
	7(c)-II
SCIP notification number (Austria)	c32e078d-322d-4b1e-8939-3c5362c58103
SCIP notification number (Belgium)	1d65bb40-0860-48a8-9cff-7f8ac2195ce8
SCIP notification number (Bulgaria)	62f3c0e9-c980-4d0f-be28-5727bbd73766
SCIP notification number (Czech Republic)	02afb9e5-b12f-46d2-8c45-06b1c820ede7
SCIP notification number (Denmark)	722fbd9c-92e9-4429-9daf-7bf3f623c819
SCIP notification number (Finland)	f446a11b-c383-4d6a-9cce-0d8ab3981929
SCIP notification number (France)	511c886c-91d2-4f36-abc3-94e7dffe2e32
SCIP notification number (Germany)	5760d29e-ce72-4a95-9c4b-aea99c3e7b40
SCIP notification number (Hungary)	e8968689-d0b5-4261-b41b-94080bf64746
SCIP notification number (Italy)	c4d274a4-06ba-4970-a16e-e76cd30dee23
SCIP notification number (Netherlands)	5b3e10c3-5bce-4c57-b059-2bf51f35a67d
SCIP notification number (Poland)	0da8cb36-1f13-4eea-b95d-84a4f6866a52
SCIP notification number (Romania)	c728302b-edf9-4d35-bb06-88abe01a628f
SCIP notification number (Sweden)	cf9d1881-dc0e-4daf-8f14-d4982553ebb1

Approvals / Certificates


General approvals

Logo	Approval	Additional Approval Text	Certificate name
	UL Underwriters Laboratories Inc. (ORDINARY LOCATIONS)	UL 61010-2-201	E175199

Declarations of conformity and manufacturer's declarations

Logo	Approval	Additional Approval Text	Certificate name
	EU-Declaration of Conformity WAGO GmbH & Co. KG	-	-

Approvals for marine applications

Logo	Approval	Additional Approval Text	Certificate name
	BV Bureau Veritas S.A.	Rules for class. of Steel Ships	66432/A0

Subject to changes. Please also observe the further product documentation!

WAGO GmbH & Co. KG
Hansastr. 27
32423 Minden
Phone: +49571 887-0 | Fax: +49571 887-169
Email: info.de@wago.com | Web: www.wago.com

Do you have any questions about our products?
We are always happy to take your call at +49 (571) 887-44222.




DNV
DNV Germany GmbH

DNV-CG-0339, Aug. 2021

TAA000031M

Approvals for hazardous areas

Logo	Approval	Additional Approval Text	Certificate name
	UL Underwriters Laboratories Inc. (HAZARDOUS LOCATIONS)	UL 121201	E198726

Installation Notes

Product family

WAGO I/O System Advanced
[Show all products from the family](#)

Subject to changes. Please also observe the further product documentation!

WAGO GmbH & Co. KG
Hansastr. 27
32423 Minden
Phone: +49571 887-0 | Fax: +49571 887-169
Email: info.de@wago.com | Web: www.wago.com

Do you have any questions about our products?
We are always happy to take your call at +49 (571) 887-44222.