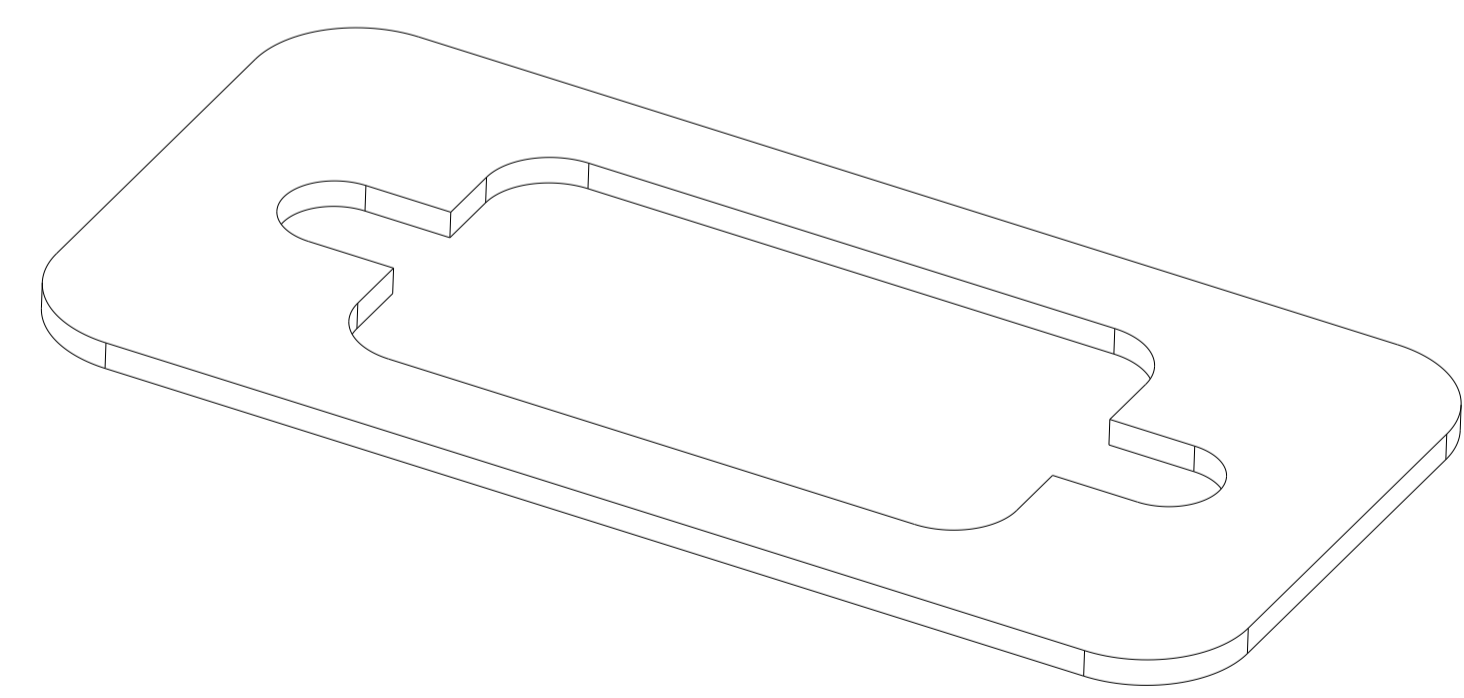
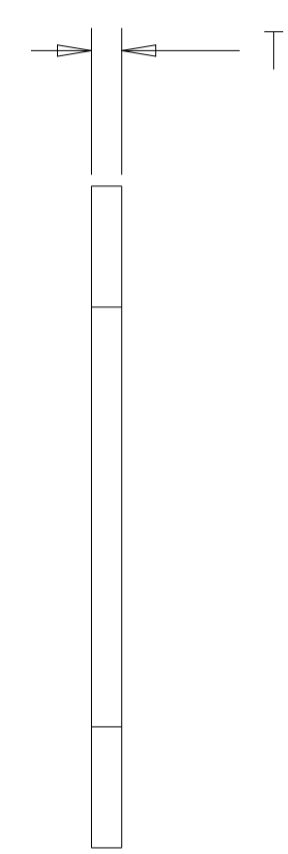
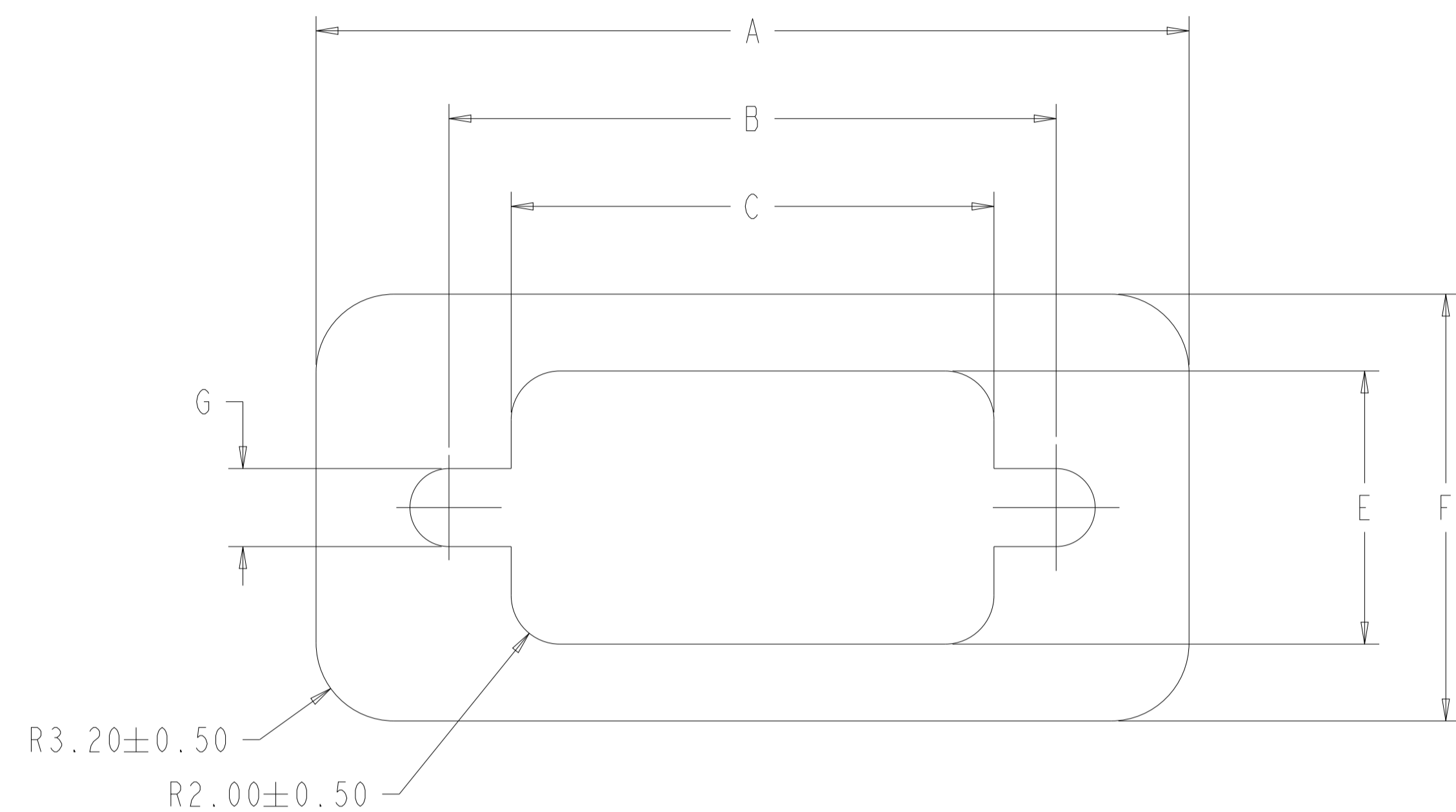


REVISIONS				
P	LTN	DESCRIPTION	DATE	APVD
A		NEW DRAWING	01SEP2022	BDA DH
A1		DIMENSION CLARIFICATION	12OCT2022	BDA DH

MATERIAL SPECIFIC DATA TABLE

TEST SPECIFICATION / MATERIAL CODE	SILICONE NICKEL GRAPHITE (SNG)	SILICONE SILVER ALUMINIUM (SSA)	FLUOROSILICONE NICKEL GRAPHITE (FNG)	FLUOROSILICONE SILVER ALUMINIUM (FSA)
RECOMMENDED OPERATING TEMPERATURE RANGE (°C)	-55 to 160	-55 to 160	-55 to 160	-55 to 160
SPECIFIC GRAVITY ± 13%	2.000	2.000	2.200	2.000
SHORE A HARDNESS ± 7	65	65	65	70
MAXIMUM VOLUME RESISTIVITY (Ω .CM)	0.05	0.008	0.05	0.012



ISOMETRIC VIEW (NTS)

FSA	50	LIGHT GREEN	72.1	61.2	56.5	13.9	20.3	6.1	1.6	95-22040	2430176-1
FSA	37	LIGHT GREEN	74.4	63.5	58.2	11.2	17.5	3.2	1.6	95-22039	2430175-1
FSA	25	LIGHT GREEN	57.9	47.0	41.9	11.2	17.5	3.2	1.6	95-22038	2430174-1
FSA	15	LIGHT GREEN	44.2	33.3	28.2	11.2	17.5	3.2	1.6	95-22037	2430173-1
FSA	9	LIGHT GREEN	35.8	24.9	19.8	11.2	17.5	3.2	1.6	95-22036	2430172-1
FSA	50	LIGHT GREEN	72.1	61.2	56.5	13.9	20.3	6.1	0.8	95-22035	2430171-1
FSA	37	LIGHT GREEN	74.4	63.5	58.2	11.2	17.5	3.2	0.8	95-22034	2430170-1
FSA	25	LIGHT GREEN	57.9	47.0	41.9	11.2	17.5	3.2	0.8	95-22033	2430169-1
FSA	15	LIGHT GREEN	44.2	33.3	28.2	11.2	17.5	3.2	0.8	95-22032	2430168-1
FSA	9	LIGHT GREEN	35.8	24.9	19.8	11.2	17.5	3.2	0.8	95-22031	2430167-1
SSA	50	BEIGE	72.1	61.2	56.5	13.9	20.3	6.1	1.6	95-22030	2430166-1
SSA	37	BEIGE	74.4	63.5	58.2	11.2	17.5	3.2	1.6	95-22029	2430165-1
SSA	25	BEIGE	57.9	47.0	41.9	11.2	17.5	3.2	1.6	95-22028	2430164-1
SSA	15	BEIGE	44.2	33.3	28.2	11.2	17.5	3.2	1.6	95-22027	2430163-1
SSA	9	BEIGE	35.8	24.9	19.8	11.2	17.5	3.2	1.6	95-22026	2430162-1
SSA	50	BEIGE	72.1	61.2	56.5	13.9	20.3	6.1	0.8	95-22025	2430161-1
SSA	37	BEIGE	74.4	63.5	58.2	11.2	17.5	3.2	0.8	95-22024	2430160-1
SSA	25	BEIGE	57.9	47.0	41.9	11.2	17.5	3.2	0.8	95-22023	2430159-1
SSA	15	BEIGE	44.2	33.3	28.2	11.2	17.5	3.2	0.8	95-22022	2430158-1
SSA	9	BEIGE	35.8	24.9	19.8	11.2	17.5	3.2	0.8	95-22021	2430157-1
FNG	50	DARK GREEN	72.1	61.2	56.5	13.9	20.3	6.1	1.6	95-22020	2430156-1
FNG	37	DARK GREEN	74.4	63.5	58.2	11.2	17.5	3.2	1.6	95-22019	2430155-1
FNG	25	DARK GREEN	57.9	47.0	41.9	11.2	17.5	3.2	1.6	95-22018	2430154-1
FNG	15	DARK GREEN	44.2	33.3	28.2	11.2	17.5	3.2	1.6	95-22017	2430153-1
FNG	9	DARK GREEN	35.8	24.9	19.8	11.2	17.5	3.2	1.6	95-22016	2430152-1
FNG	50	DARK GREEN	72.1	61.2	56.5	13.9	20.3	6.1	0.8	95-22015	2430151-1
FNG	37	DARK GREEN	74.4	63.5	58.2	11.2	17.5	3.2	0.8	95-22014	2430150-1
FNG	25	DARK GREEN	57.9	47.0	41.9	11.2	17.5	3.2	0.8	95-22013	2430149-1
FNG	15	DARK GREEN	44.2	33.3	28.2	11.2	17.5	3.2	0.8	95-22012	2430148-1
FNG	9	DARK GREEN	35.8	24.9	19.8	11.2	17.5	3.2	0.8	95-22011	2430147-1
SNG	50	DARK GREY	72.1	61.2	56.5	13.9	20.3	6.1	1.6	95-22010	2430146-1
SNG	37	DARK GREY	74.4	63.5	58.2	11.2	17.5	3.2	1.6	95-22009	2430145-1
SNG	25	DARK GREY	57.9	47.0	41.9	11.2	17.5	3.2	1.6	95-22008	2430144-1
SNG	15	DARK GREY	44.2	33.3	28.2	11.2	17.5	3.2	1.6	95-22007	2430143-1
SNG	9	DARK GREY	35.8	24.9	19.8	11.2	17.5	3.2	1.6	95-22006	2430142-1
SNG	50	DARK GREY	72.1	61.2	56.5	13.9	20.3	6.1	0.8	95-22005	2430141-1
SNG	37	DARK GREY	74.4	63.5	58.2	11.2	17.5	3.2	0.8	95-22004	2430140-1
SNG	25	DARK GREY	57.9	47.0	41.9	11.2	17.5	3.2	0.8	95-22003	2430139-1
SNG	15	DARK GREY	44.2	33.3	28.2	11.2	17.5	3.2	0.8	95-22002	2430138-1
SNG	9	DARK GREY	35.8	24.9	19.8	11.2	17.5	3.2	0.8	95-22001	2430137-1

THIS DRAWING IS A CONTROLLED DOCUMENT. DWN: BASAVARAJA D A, CHK: B. SELVAPANDIAN, APVD: D. HEMMING

TE Connectivity

95-ELASTOMER-D-SUB-RANGE

00779

SCALE 5:1