

Product Change Notice

PCN#: EE-PCN21013
07/01/2021

CLASSIFICATION OF CHANGE:

Manufacturing location

DESCRIPTION OF CHANGE:

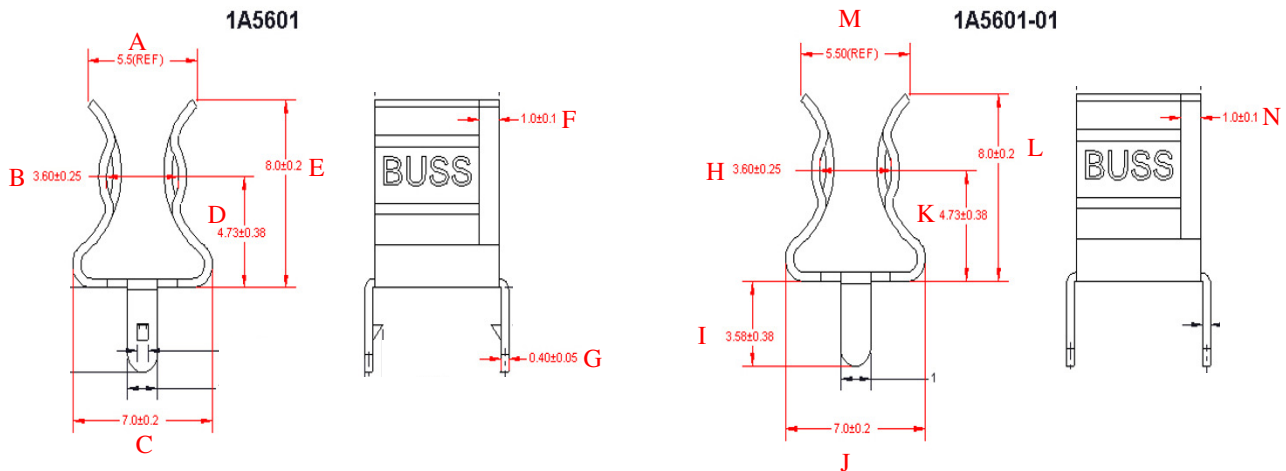
The 1A5601 and 1A5601-01 manufacturing country of origin will change to Taiwan.

REASON FOR CHANGE:

To improve product availability.

EXPECTED INFLUENCE ON QUALITY, RELIABILITY, AND PERFORMANCE:

The 1A5601 and 1A5601-01 will offer the same circuit board pad layout. There will be no effect on the quality, reliability, or performance. Dimensions of the Taiwan produced fuse clips will be updated as below. There are no other changes to fit, form or function of the fuse clip.



A Before: 6.25 mm
A After: 5.5 mm

B Before: 4.20 ± 0.2 mm
B After: 3.60 ± 0.25 mm

C Before: 6.76 mm
C After: 7.0 ± 0.2 mm

D Before: 5.56 ± 0.38 mm
D After: 4.73 ± 0.38 mm

E Before: 8.73 ± 0.38 mm
E After: 8.0 ± 0.2 mm

F Before: 1.0 ± 0.1 mm
F After: 1.0 ± 0.1 mm

G Before: 0.50 ± 0.05 mm
G After: 0.40 ± 0.05 mm

H Before: 4.20 ± 0.2 mm
H After: 3.60 ± 0.25 mm

I Before: 3.8 mm
I After: 3.58 ± 0.38 mm

J Before: 6.4 ± 0.2 mm
J After: 7.0 ± 0.2 mm

K Before: 5.56 ± 0.38 mm
K After: 4.73 ± 0.38 mm

L Before: 8.73 ± 0.38 mm
L After: 8.0 ± 0.2 mm

M Before: 6.3 mm
M After: 5.50 mm

N Before: 1.0 ± 0.1 mm
N After: 1.0 ± 0.1 mm

PARTS FAMILIES AFFECTED:

BK-1A5601 and BK-1A5601-01

TIME SCHEDULE:

Effective immediately.

SAMPLE AVAILABILITY:

Available upon request

QUALIFICATION DATA:

Available upon request

ISSUED BY:

Jenan Krouchick

Product Manager – Circuit Protection

CONTACT INFORMATION:

For questions or comments, please contact your local [Eaton sales representative](#).