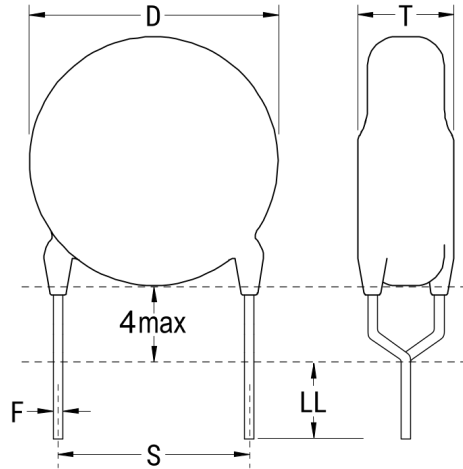


## C911U152MUVDBAWL40

Not for New Design

C900AH SFTY X1-400 Y1-250, Ceramic, 1500 pF, 20%, 400 VAC (X1), 250 VAC (Y1), Y5V, Lead Spacing = 10mm



Click [here](#) for the 3D model.

### Dimensions

D	8mm MAX
T	5.5mm MAX
S	10mm +/-1mm
LL	4mm +/-1mm
F	0.55mm +/-0.1mm

### Packaging Specifications

Packaging	Bulk, Bag
Packaging Quantity	500

### General Information

Series	C900AH SFTY X1-400 Y1-250
Style	Radial Disc
RoHS	Yes
Termination	Tin
Failure Rate	N/A
Qualifications	UL, ENEC, VDE, CSA, CAN
AEC-Q200	No
Halogen Free	Yes
Component Weight	600 mg

### Specifications

Capacitance	1500 pF
Capacitance Tolerance	20%
Voltage AC	400 VAC (X1), 250 VAC (Y1)
Dielectric Withstanding Voltage	4000 VDC
Temperature Range	-40/+125°C
Temperature Coefficient	Y5V
Dissipation Factor	5%
Insulation Resistance	10 GOhms
Safety Class	X1/Y1