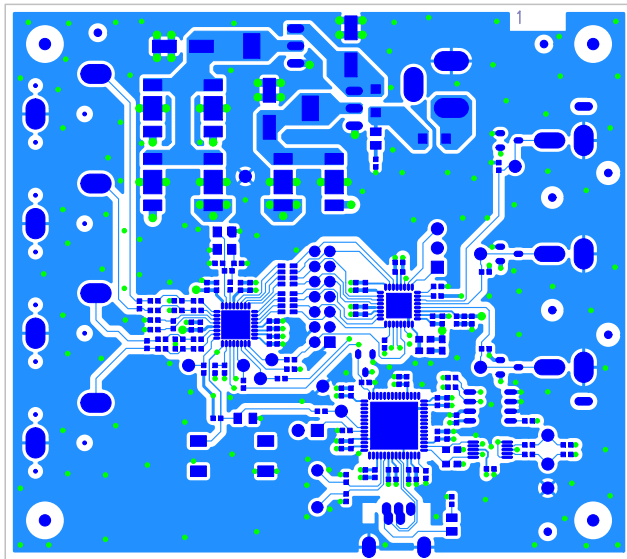
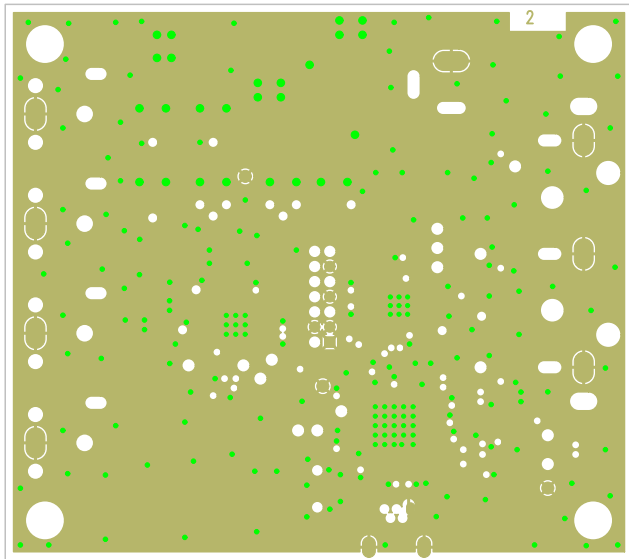


ADV7182A/ADV7280AEBZ Eval Board Rev. A (Primary Side View)

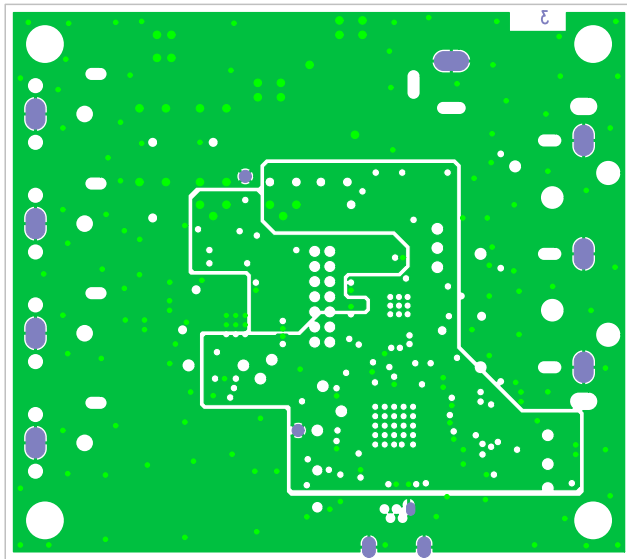
BackpageSide PrimpageSide



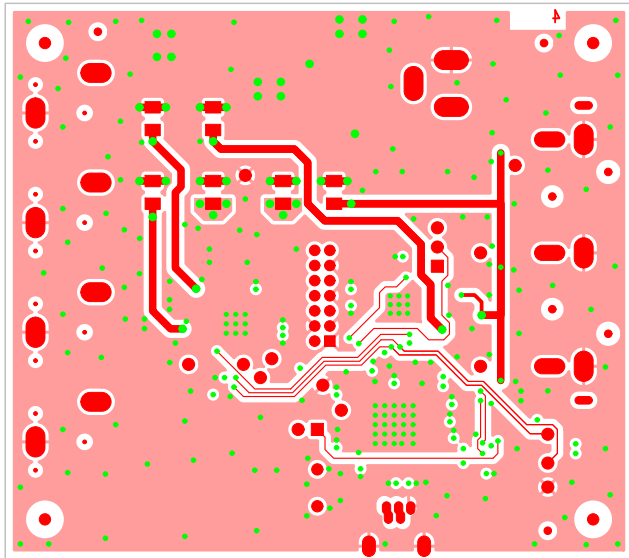
ADV7182A/ADV7280AEBZ Eval Board Rev. A (Primary Side View)
Primary Side - Layer 1



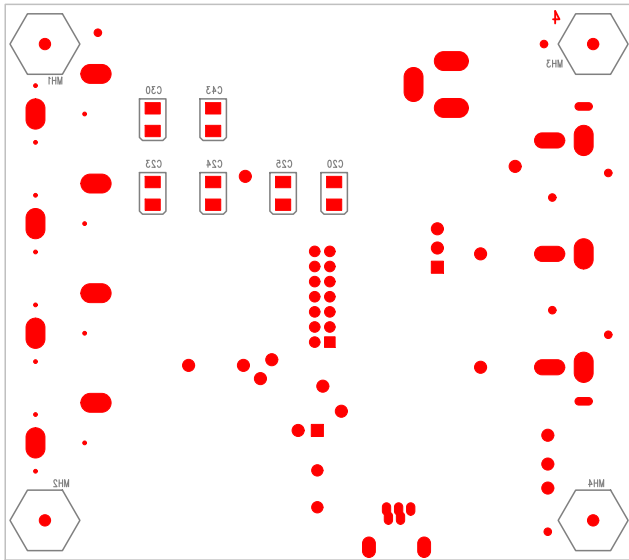
ADV7182A/ADV7280AEBZ Eval Board Rev. A (Primary Side View)
Ground Plane - Layer 2



ADV7182A/ADV7280AEBZ Eval Board Rev. A (Primary Side View)
Power Plane - Layer 3



ADV7182A/ADV7280AEBZ Eval Board Rev. A (Primary Side View)
Secondary Side - Layer 4



ADV7182A/ADV7280AEBZ Eval Board Rev. A (Primary Side View)

Secondary Side on Layer 54