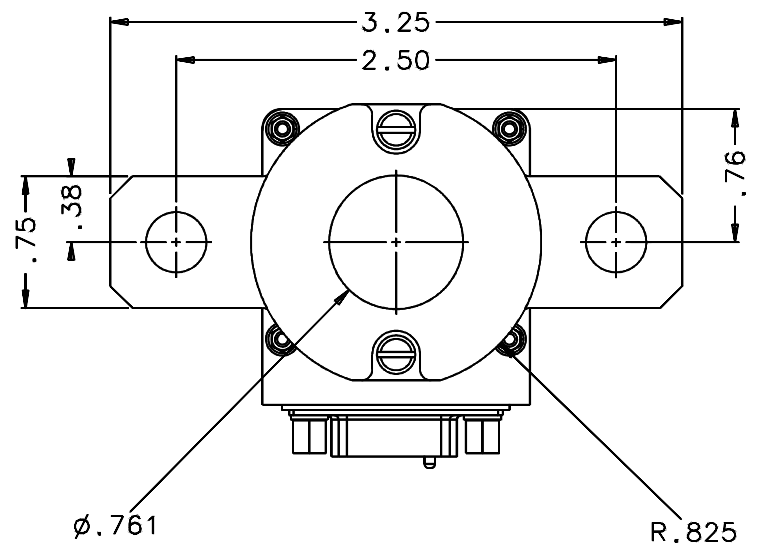


REVISIONS			RELEASED	APPROVED
REV	ECN	DESCRIPTION	DATE	
F	46828	REMOVED 'PRELIMINARY DRAWING'	02/02/26	CC
G	0008-02	CONNECTOR WAS POSITRONICS; UPDATED VIEW	02/02/26	CC
H	0036-02	ADDED TIMES TO DWG	02/09/19	CC
J	0677-03	UPDATED VIEW OF ITEM 1 TO CLARIFY ORIENTATION	03/08/04	CC
K	06-001284	CORRECTED VIEW	06/01/13	CB



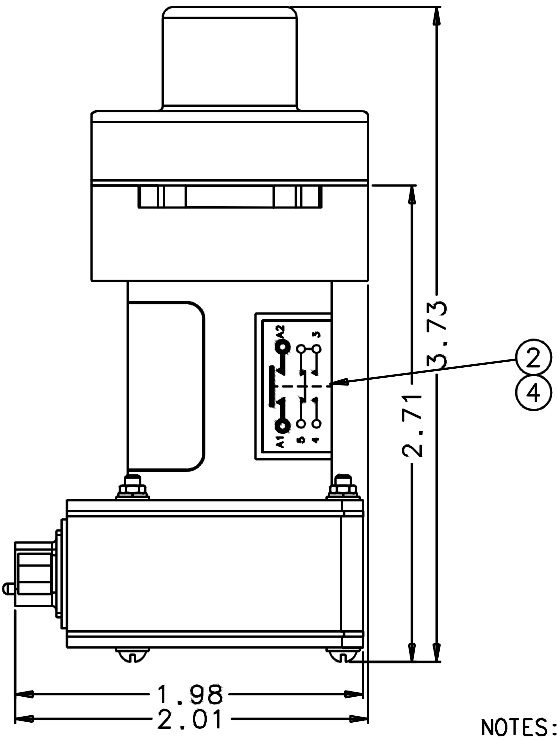
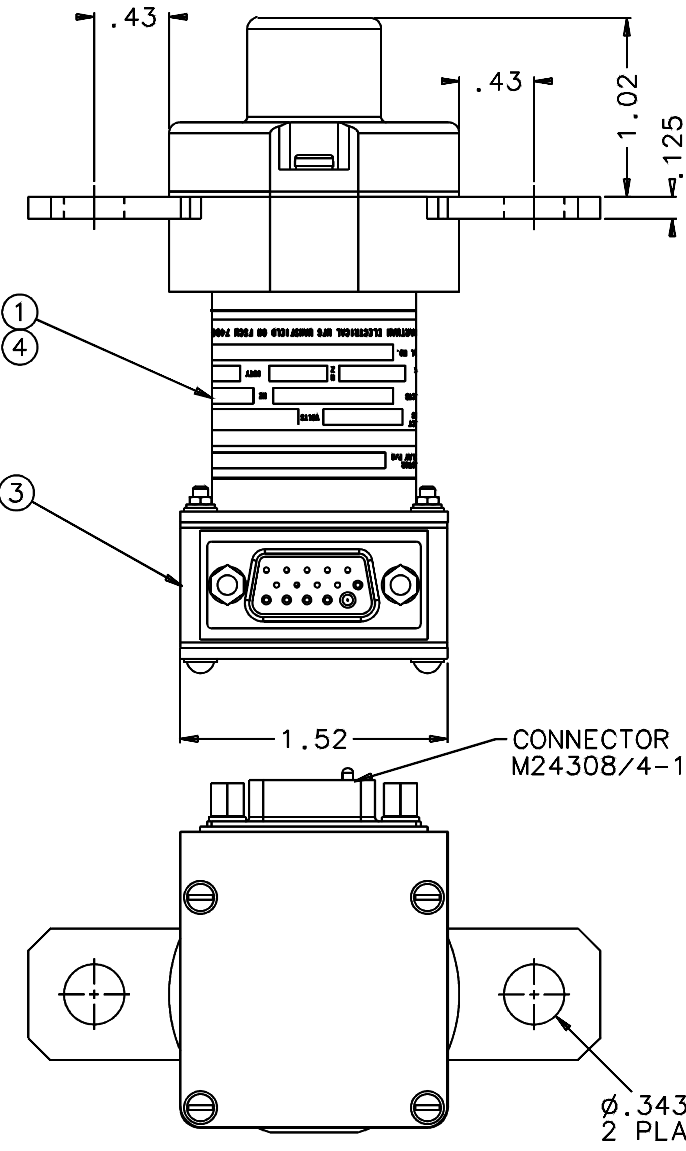
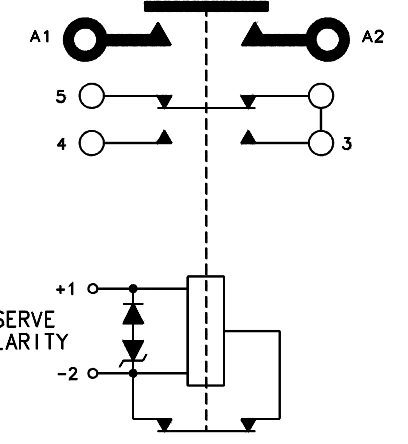
CONSTRUCTION
 MAIN CONTACTS
 CONFIGURATION SPST N.O. (DOUBLE BREAK)
 VOLTAGE 28 VDC
 CURRENT RESISTIVE 200 AMPS
 INRUSH 1000 AMPS
 RUPTURE 2000 AMPS

AUXILIARY CONTACTS
 CONFIGURATION SPDT
 VOLTAGE 28 VDC
 CURRENT RESISTIVE 100 mA

COIL DATA
 DUTY CYCLE CONTINUOUS (ECONOMIZED)
 MAX OPERATE VOLTAGE 22-29 VDC
 NOM OPERATE VOLTAGE 28 VDC
 MAX PICKUP VOLTAGE 18 VDC MAX
 DROPOUT VOLTAGE 7 VDC MAX
 COIL CURRENT PICKUP 5.1 AMPS AT 25°C
 HOLD 650 mA MAX AT 32 VDC AND 25°C
 OPERATE TIME 35 mSEC MAX AT 28 VDC
 RELEASE TIME 20 mSEC MAX AT 28VDC
 BOUNCE TIME 5 mSEC MAX AT 28VDC

ENVIRONMENTAL DATA
 TEMPERATURE -55°C TO +71°C
 ALTITUDE 50,000 FEET

LIFE ELECTRICAL 50,000 CYCLES MIN.
 LIFE MECHANICAL 100,000 CYCLES MIN.
 WEIGHT MAX .61 LBS.



NOTES:
 1. COIL TRANSIENT VOLTAGE LIMITED TO ±42 VOLTS REFERENCED TO ZERO VOLTS.

FIND NO	QTY REQD	PART OR IDENTIFYING NO	NOMENCLATURE OR DESCRIPTION	CAGE NO	DRAWING OR SPECIFICATION	MATERIAL OR NOTE
5	-	45660-000	WIRING DIAGRAM			
4	2	39529-001	OVERLAY			
3	1	44898-090	CONTACTOR ASSEMBLY - PRIMARY			
2	1	44900-008	PLATE - SCHEMATIC DIAGRAM			
1	1	16043-116	PLATE - NAME			

UNLESS OTHERWISE SPECIFIED DIMENSIONS ARE IN INCHES TOLERANCES ON		 Hartman Division • 175 N. DIAMOND STREET • MANSFIELD, OHIO 44902	
2 PL DEC.	3 PL DEC.	ANGLES	DR BY CSC 03/08/26 CHK BY CC 03/08/26 ENGR RSS 03/08/27 MFG MH 03/08/28
±.06	±.010	±1°	CONTACTOR-SPST N.O. (DOUBLE BREAK) 200 AMP, 28 VDC 093
SIZE B		CODE IDENT 74063	DWG NO. K-300B2C
SCALE NONE		SHEET REF TYCO P/N 1616068-6	