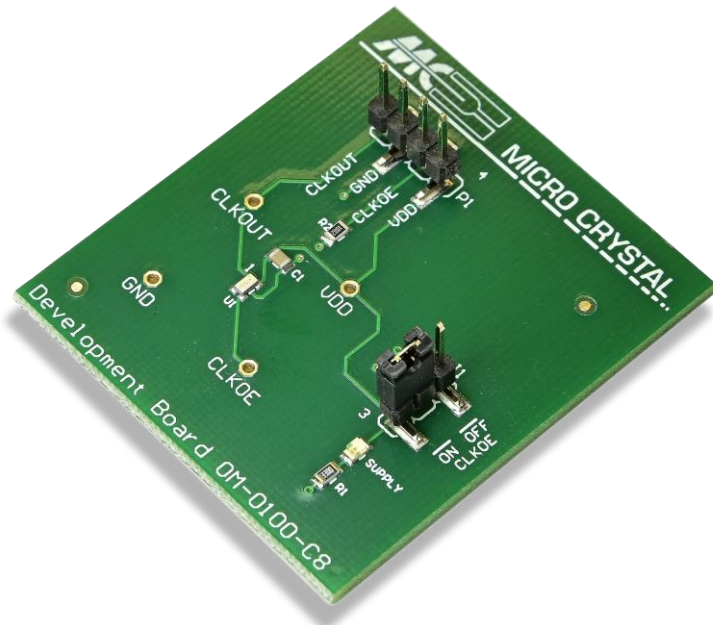


DEVELOPMENT BOARD



OM-0100-C8

Low Power Clock Oscillator

100.000 kHz

OM-0100-C8

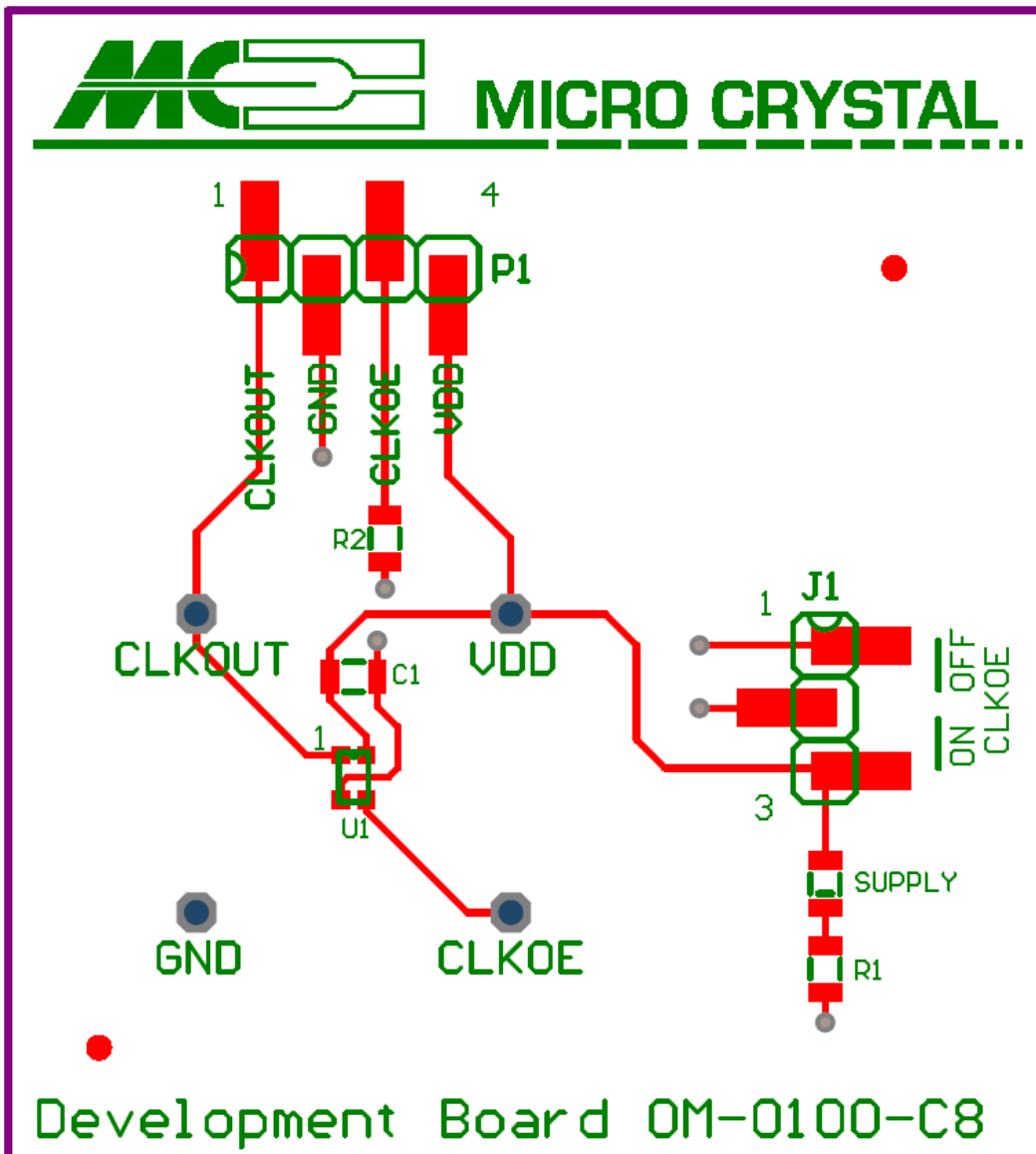
The OM-0100-C8 is soldered onto the Development Board.

Every pin is either accessible at test pins 1 – 4 or at the test vias situated around the device.

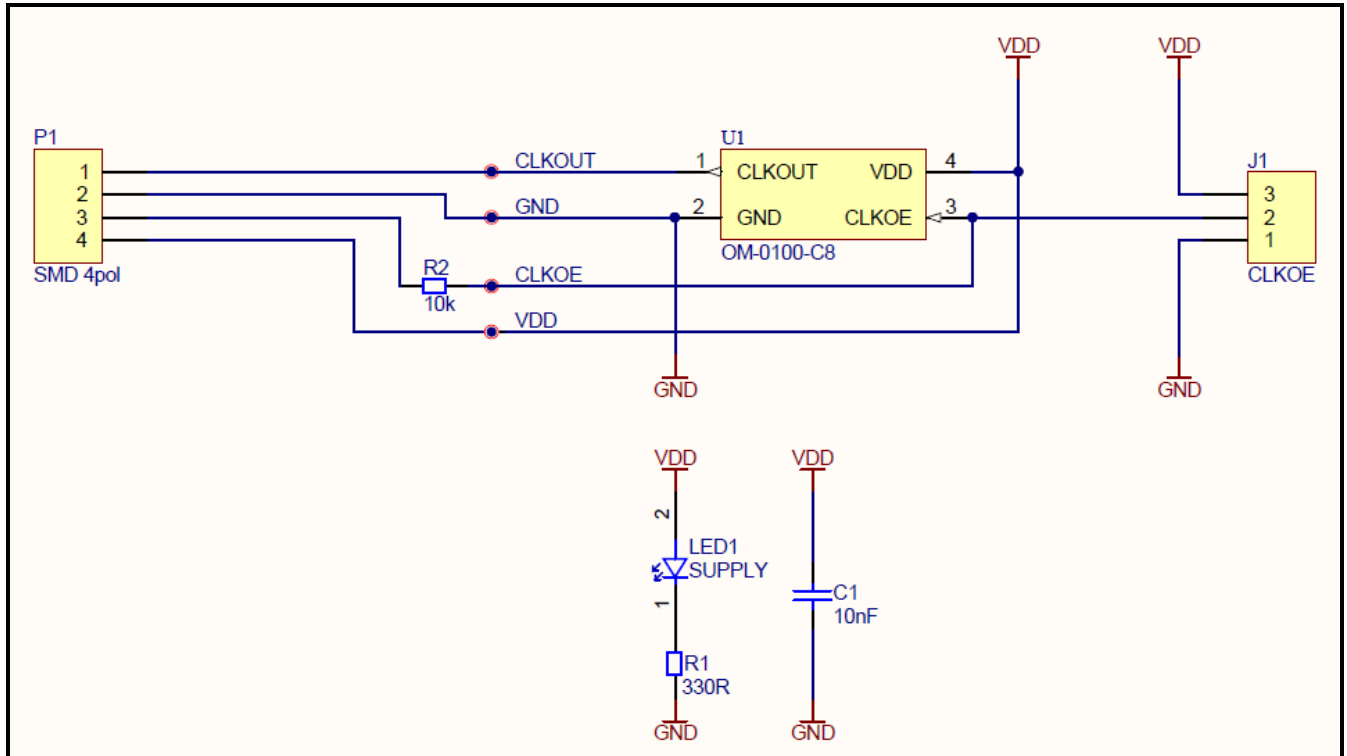
The following passive components are already soldered on the board:

C1	10 nF	Decoupling capacitor between V_{SS} and V_{DD}
R1	330 Ω	Current limiting resistor for LED
LED	green	Supply on, current consumption of the LED has to be considered
R2	10 k Ω	Protection resistor to prevent short-circuit between external CLKOE signal and Jumper.

DEVELOPMENT BOARD



SCHEMATICS



PINOUT OM-0100-C8



PIN DESCRIPTION

Symbol	Pin #	Description
CLKOUT	1	Clock output
GND	2	Ground
CLKOE	3	Clock Output Enable
V _{DD}	4	Power Supply Voltage

Datasheet and Application-Manual are available for download under: www.microcrystal.com