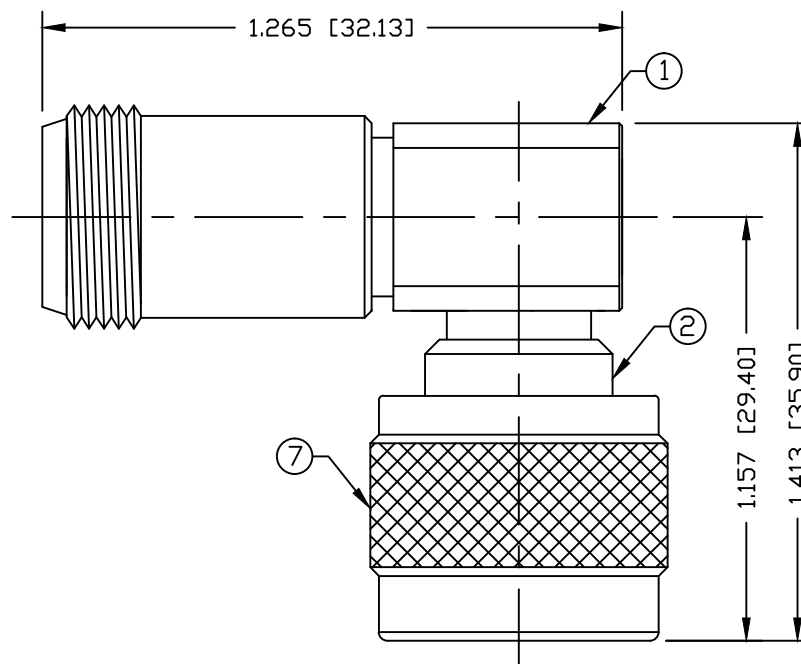


PART NO.

RFN-1012-1

REV	DESCRIPTION	DWN	DATE	APPROVED
C	UPDATED CONNECTOR DESIGN	CZS	11/09/18	JDMc

SPECIFICATIONS:

IMPEDANCE: 50 Ohms
 FREQUENCY RANGE: 0–11 GHz
 WORKING VOLTAGE: 1k V rms @ sea level
 TEMPERATURE RANGE: –65°C TO 165°C
 INSULATION RESISTANCE: 5k M Ohms min.

11	PRESS CAP	1	BRASS	SILVER
10	GROUND RING	1	BRASS	SILVER
9	RETAINING RING	1	BRASS	----
8	GASKET	1	RUBBER	----
7	SHELL	1	BRASS	SILVER
6	GROUND RING	1	BRASS	SILVER
5	INSULATOR	1	PTFE	----
4	PIN	1	BRASS	GOLD
3	CONTACT	1	BRASS	GOLD
2	PRESS-FIT BODY	1	BRASS	SILVER
1	BODY	1	BRASS	SILVER

CUSTOMER OUTLINE DRAWING	
ALL DIMENSIONS ARE REFERENCE ONLY	
UNLESS OTHERWISE SPECIFIED: DIMENSIONS ARE IN INCHES AND [MILLIMETERS]	
DRAWN C. ZUNIGA	11/09/18
CHECKED	
ORJ DRAWN C. ZUNIGA	11/11/17

**RoHS
COMPLIANT**

PROPRIETARY AND CONFIDENTIAL
 THIS DRAWING CONTAINS
 INFORMATION PROPRIETARY TO
 RF INDUSTRIES. ANY
 UNAUTHORIZED USE OF THIS
 DRAWING IS EXPRESSLY
 PROHIBITED WITHOUT WRITTEN
 PERMISSION FROM RF
 INDUSTRIES. ANY VIOLATION IS
 PUNISHABLE UNDER U.S.
 COPYRIGHT LAWS.

RFconnectors
 DIVISION OF RF INDUSTRIES, LTD. (858) 549-6345 FAX
 RFINDUSTRIES.COM
 7610 MIRAMAR RD.
 SAN DIEGO, CA 92126
 (858) 549-6340

N PLUG TO N JACK

RIGHT ANGLE ADAPTER / UG27D/U

CABLE GROUP	DWG #	REVISION
N/A	RFN-1012-1	C
FORMAT	SCALE	CONTROL #
A	NTS	000712
		SHEET 1 OF 1