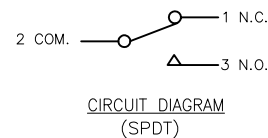
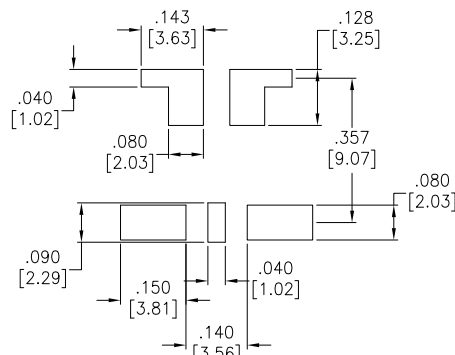
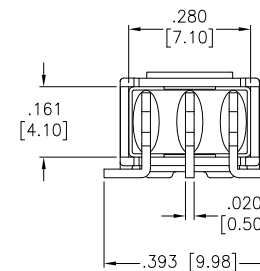
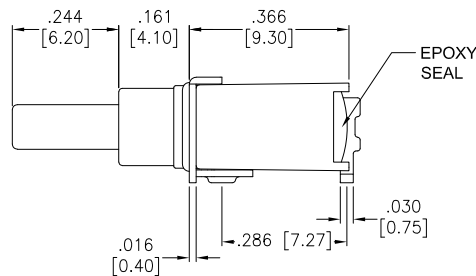
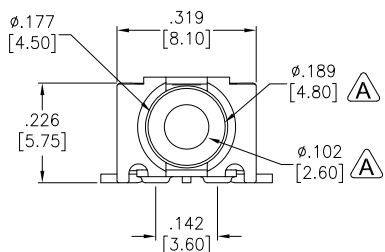
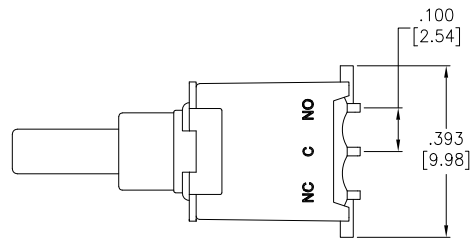


APPROVED: \_\_\_\_\_  
 DATE: \_\_\_\_\_ TITLE: \_\_\_\_\_

Rev	AWO #	Description	Date	Appr
-		RELEASED	9/22/21	



BUTTON POSITION		
FUNCTION	ON	MOM
TERMINALS	2-1	2-3

**SPECIFICATIONS:**

Material:  
 Case: PA9T, Rated UL94V-0  
 Plunger: FR52, Rated UL94V-0  
 Bushing: PA9T, Rated UL94V-0  
 Movable Contact: Copper Alloy, Gold over Nickel under plate.  
 Terminal: Copper Alloy, Gold over Nickel under plate.  
 Electrical:

Rating: 0.4A max @ 20V AC or DC  
 Contact resistance: 20 mΩ max  
 Insulation resistance: 1,000 Mohms min  
 Dielectric withstanding voltage: 1,500V RMS @Sea level  
 Life: 30,000 cycles at full load  
 Temperature Rating:  
 Operating temperature: -30°C to +85°C  
 Environmental:

Sealed IP67 Rated  
 Lead free, RoHS compliant



UNLESS OTHERWISE SPECIFIED ALL DIMENSIONS ARE INCHES [MM]. TOLERANCES: EXCEPT AS NOTED		
INCHES	HOLES	
.X ± .10	ØX ± .10	
.XX ± .020	ØXX ± .015	
.XXX ± .015	ØXXX ± .010	
DRAWN	WX	9/22/21
CHECKED	RC	9/22/21
APPROVED		
THIS DRAWING CONTAINS INFORMATION THAT IS PROPRIETARY AND SHOULD NOT BE USED WITHOUT PRIOR WRITTEN PERMISSION FROM ADAM TECH		

<b>ADAM TECH</b>	909 Rahway Avenue, Union, NJ 07083 Phone: 908-687-5000 Fax: 908-687-5710	
	TITLE SEALED SUB-MINIATURE PUSH BUTTON SWITCH, SPDT, ON-MOM, GOLD PLATED, R/A, SMT	
SIZE X	PART NO. SW-PB9-ABA1RE-7	REV. -
REF:	SCALE: NTS	SHEET 1 OF 1

6

5

4

3

2

1

D

D

C

C

B

B

A

A

6

5

4

3

2

1