

■ Features

- Single output to 15-45W
- 100-240Vac Universal input
- Frequency: 50/60Hz
- OVP, and short circuit protection
- Efficiency: level VI
- USB-C output connector
- Flipping A/C input plug US Model only
- Dimensions: 83x44.4x12mm



\*Product images are for illustrative purposes only and may vary from actual design.

■ Applications

- Personal electronic devices

■ Model List\*(See part number scheme for model number details)

Only USB-C Model

Model	Output Voltage	Output Current	Power	Ripple & Noise
WM045QF-X-GaN-USBC	5V	3A	15W	260mVp-p
	9V	3A	27W	260mVp-p
	12V	3A	36W	260mVp-p
	15V	3A	45W	260mVp-p
	20V	2.25A	45W	260mVp-p

Ripple & Noise: Measurement is done by 20MHz bandwidth oscilloscope and the output paralleled a 0.1uF ceramic capacitor and a 10uF electrolysis capacitor. (test under the condition of rated input and rated output)

■ Technical Data

Input voltage range	100-240Vac
Rated Frequency	50/60Hz(typ.)
AC Input Current	1.5A max.@100Vac
AC Input Power saving	0.1W max. @230Vac no load
Inrush Current	60A max.@100Vac (Cold start); 90A max.@230Vac (Cold start)
Leakage Current	0.25mA max.
Efficiency	While the input is 115Vac and 230Vac, the average efficiency is more than 87.72%. Tested at 25%,50%,75% and 100% load after 30 min warm up at max load. Complies with level VI requirements
Over Voltage Protection	Auto recovery once fault condition is removed
Short Circuit Protection	Auto recovery once fault condition is removed
Operating temperature	0~25°C
Storage temperature	-25°C to 70°C
Operating humidity	8% to 90%
Storage humidity	5% to 95%

MTBF	50K hours min. @full load at 25°C ambient temperature.
Burn-in	2-4hours, 25~40°C, 220Vac Input, 100% Output load
Drop test	Dropped at 1M height, dropped on each side. Dropping on concrete floor standard: No failure of function & case joints still intact
Bending test	With a torque load of 200g, bent ±60 degrees, 45 times/minute 16AWG - 5000cycles Min 18AWG - 4500cycles Min 20AWG - 2400cycles Min 22AWG - 2000cycles Min 24AWG - 1500cycles Min 26AWG - 1000cycles Min
Dimensions	83x44.4x12mm
Weight	TBD

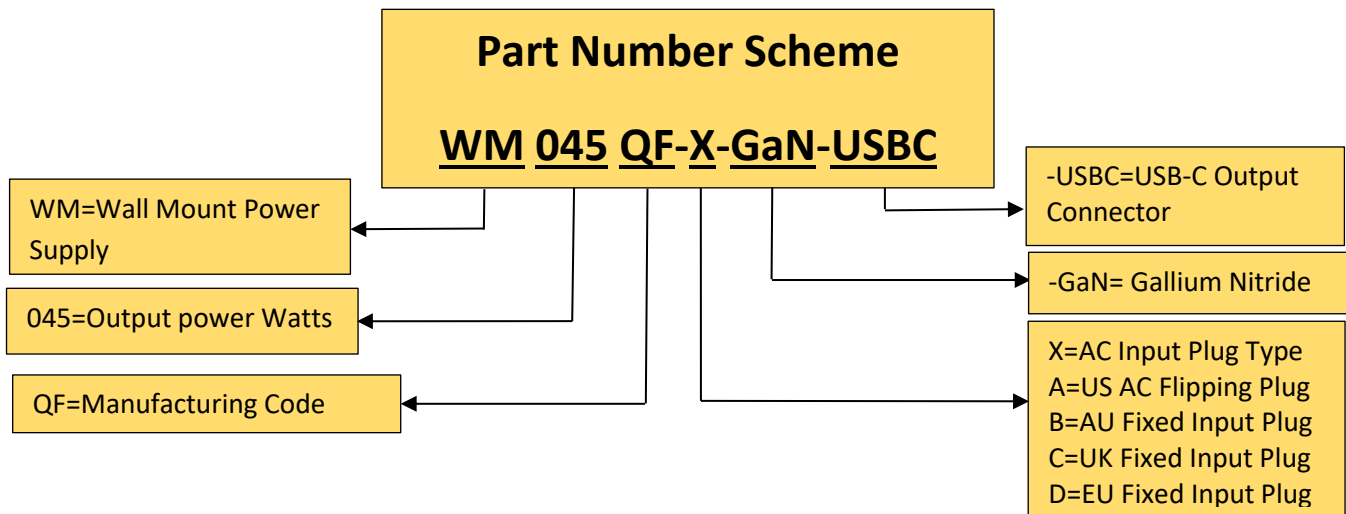
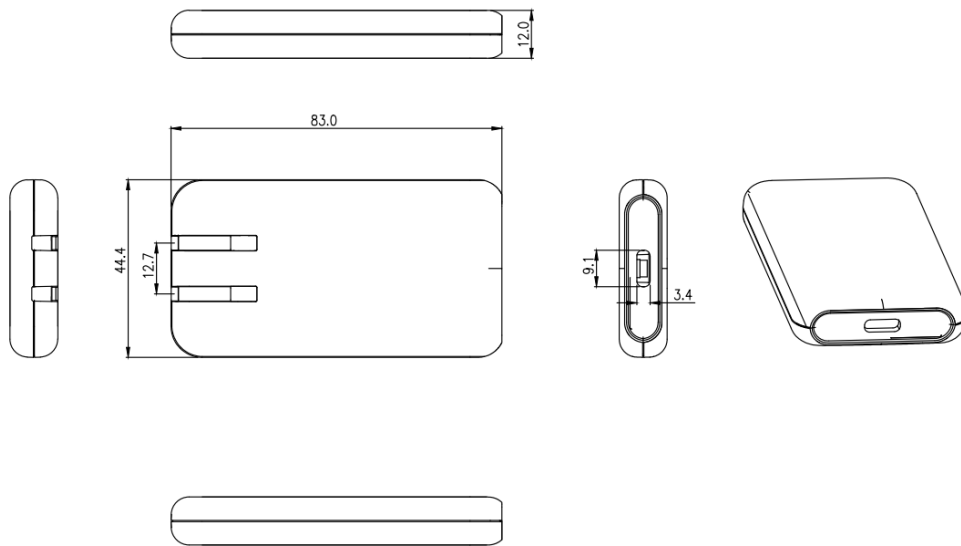
■ **Technical Data(cont.)**

Safety Standard	TBD
EMI	TBD
EMS	EN 61000-4-2/ESD, EN 61000-4-5/Surge
HI-POT test	Primary to secondary: 3000VAC for 3sec. 5mA(production testing) 3000VAC for 1min. 5mA(sample testing) Primary to case: 3000VAC for 3sec 5mA(Production test)
Insulation resistance	Input to output >10Mohm.@500VDC

Disclaimer:

Autec Power Systems' (Autec) Power Supplies are Hi-Pot tested during the manufacturing process. Autec assumes no responsibility for secondary Hi-Pot testing at customer location or designated production line(s). Should customer require further Hi-Pot testing, at their own production line, following assembly of the Power Supply into the customer's assembled fixture, Autec requests advance notice. This request must be communicated to Autec in a timely manner and is recommended to be requested at time of issuing each purchase order.

■ **Mechanical Diagram**



**\*Product images are for illustrative purposes only and may vary from actual design.**

**\*Specifications are subject to change without notice. Autec is not responsible for issues arising from errors or omissions.**

**Technical Sales / Customer Service:** +1-818-338-7788 • Email: [sales@autec.com](mailto:sales@autec.com)

31328 Via Colinas Suite 102 • Westlake Village, CA 91362 USA • [www.autec.com](http://www.autec.com)

May 12, 2022