

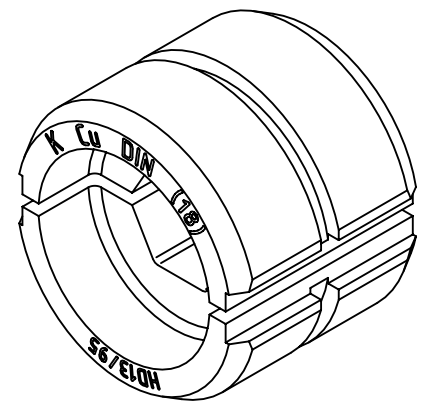
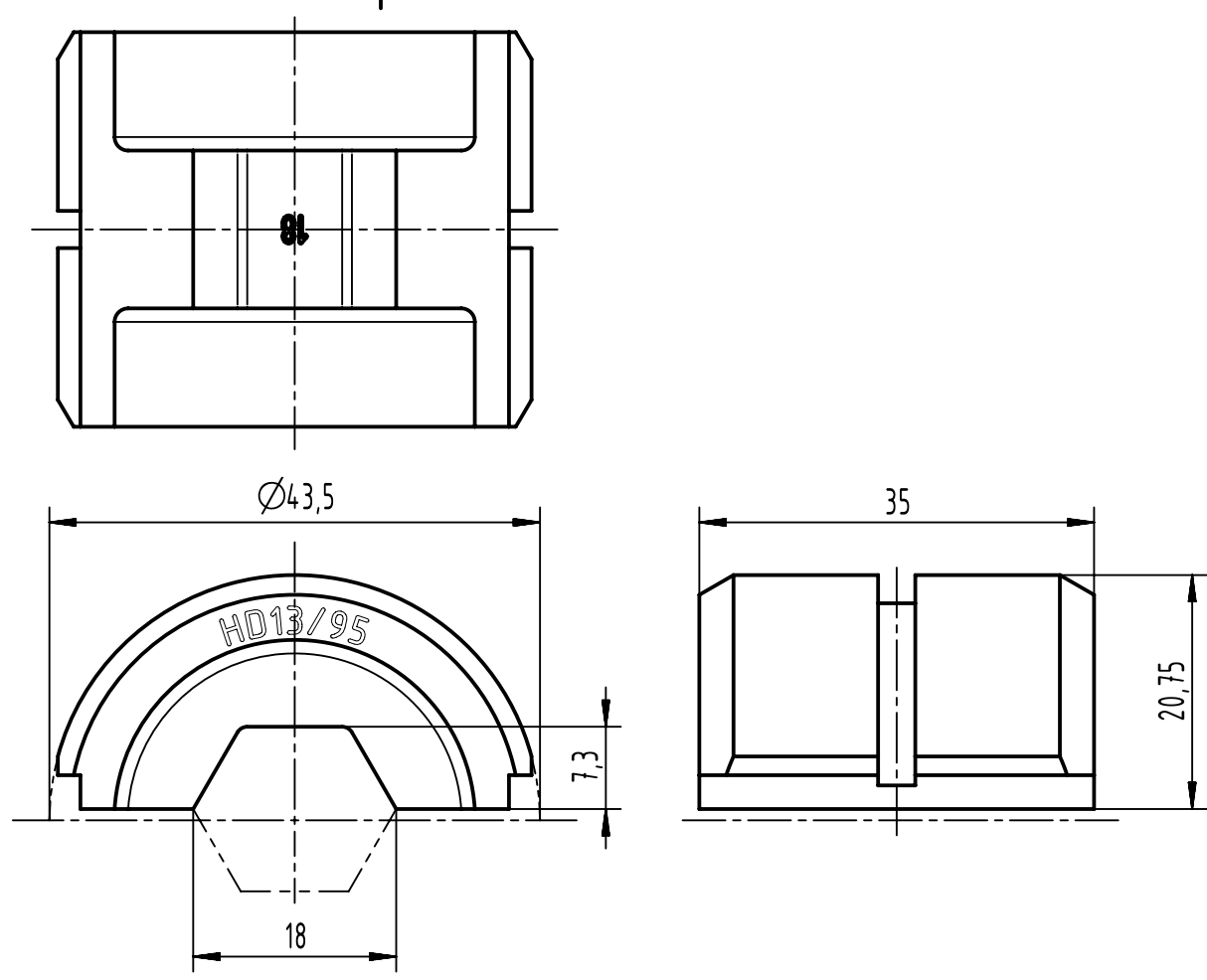
1 2 3 4 5 6

A


B

C

D



Scope of delivery 2 crimp dies

|   |                     |  |   |  |                       |  |  |  |                 |  |                     |  |
|---|---------------------|--|---|--|-----------------------|--|--|--|-----------------|--|---------------------|--|
|  | All rights reserved |  | Created by HOLLERT                                |  | Inspected by RIEPE    |  | Standardisation RUETERA                            |  | Date 2021-01-08 |  | State Final Release |  |
|   | Department EL PD    |  | Title Crimp die 95mm <sup>2</sup> for 120 kN tool |  | Number 09 99 000 0868 |  | Doc-Key / ECM-Nr. 100587237/UGD/002/C 500000186965 |  | Rev. C          |  | Page 1/1            |  |
| HARTING<br>D-32339 Espelkamp  |                     |  | All Dimensions in mm<br>Original Size DIN A4      |  | Scale 1.5:1           |  | Free size tol.                                     |  | Ref.            |  | Sub.                |  |