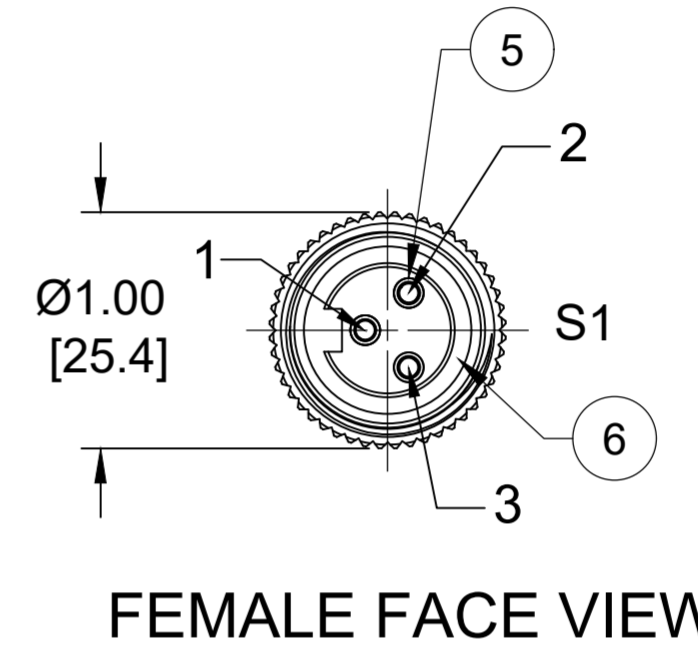
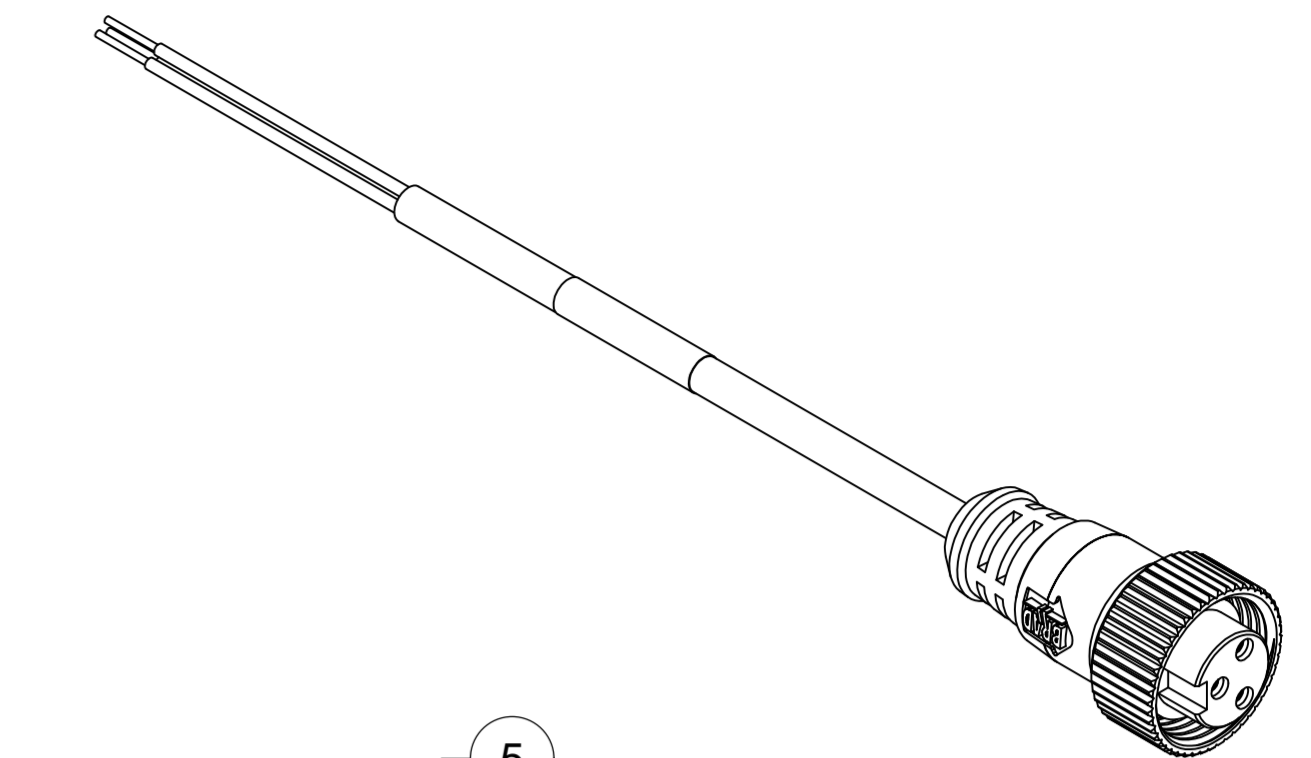
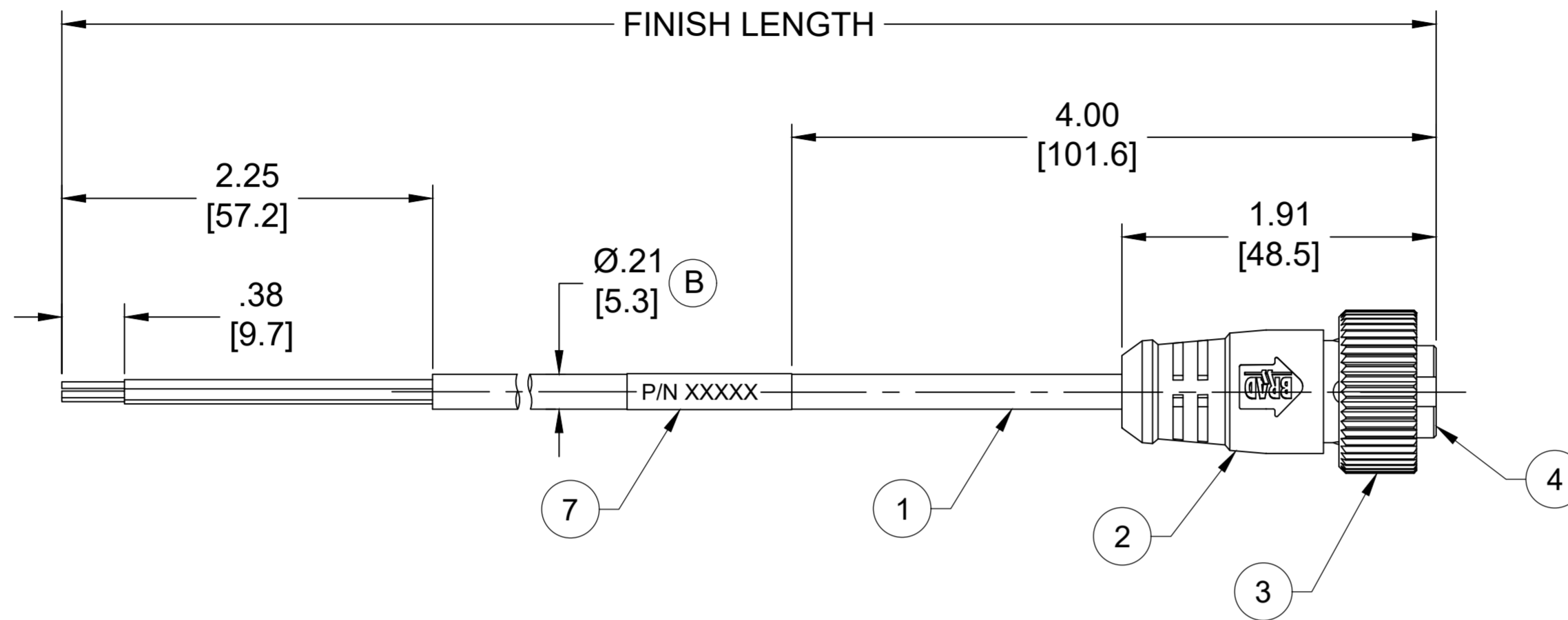


PART NO.	ENGINEERING NO.	FINISHED LENGTH
1300060339	103000A06M020	2M [6FT 7 IN]
1300060356	103000A06M150	15M [49FT 3 IN]
1300060359	103000A06M300	30M [98M 5 IN]



NOTES:

- MATERIAL: AS NOTED
- FINISH: AS NOTED
- ELECTRICAL:
VOLTAGE : 300V
CURRENT: 10A (B)
- TEMP RATING: -20° TO +105°C
- PROTECTION: IP67 (WHEN MATED)
- COUPLING THREAD: 7/8"-16UN
- CSA CERTIFIED FILE: LR6837
- ALL DIMENSIONS ARE FOR REFERENCE UNLESS TOLERANCED OR NOTED OTHERWISE

WIRING DIAGRAM

	S1
GREEN/YELLOW-GRD	1
BROWN	2
BLUE	3

PART NUMBER LEGEND

103000A06M020

CABLE LENGTH
M050 = 5 METER
M100 = 10 METER
M500 = 50 METER

CABLE LENGTH TOLERANCES

<.3M [1FT]:	+19mm-0 [+.75in-0]
.3 - .9M [1 - 3FT]:	+44.5mm-0 [+1.75in-0]
.9 - 1.8M [3 - 6FT]:	+55.6mm-0 [+2.19in-0]
1.8 - 3.7M [6 - 12FT]:	+88.9mm-0 [+3.50in-0]
3.7 - 7.3M [12 - 24FT]:	+165.1mm-0 [+6.50in-0]
7.3-14.6M [24 - 48FT]:	+317.5mm-0 [+12.50in-0]
14.6 - 30.5M [48-100FT]:	+622.3mm-0 [+24.50in-0]
OVER 30M [100FT]	+2% OF FINISHED LENGTH

ITEM	COMPONENT	MATERIAL	FINISH
7	WRAP LABEL	VINYL	BLACK/YELLOW
6	FRICTION RING	NYLON	WHITE
5	CONTACT SOCKET	COPPER ALLOY	GOLD OVER NICKEL
4	INSERT	TPE	YELLOW
3	COUPLING NUT	ZINC DIE CAST	BLACK E-COAT
2	OVERMOLD	TPE	YELLOW
1	CABLE, 18 AWG	PVC	YELLOW

FUNCTIONAL SYMBOLS FA=0 FC=0 FP=0	THIS DRAWING CONTAINS INFORMATION THAT IS PROPRIETARY TO MOLEX ELECTRONIC TECHNOLOGIES, LLC AND SHOULD NOT BE USED WITHOUT WRITTEN PERMISSION		CURRENT REV DESC: ITEM# 2 & 4 WERE PVC. ITEM #7 WAS PLASTIC FILM. ADDED UL, FRICTION RING, PN LEGEND, CABLE DIA & TOL CHART. MODIFIED CURRENT & PN CHART	
	DIMENSION UNITS INCH/MM	SCALE NTS	EC NO: 702709	
GENERAL TOLERANCES (UNLESS SPECIFIED)		DRWN: ABENJAMINLW 2021/05/13		
4 PLACES ±----		CHK'D: RSTONE 2022/04/11		
3 PLACES ±----		APPR: BWOODMAN 2022/04/16		
2 PLACES ±----		INITIAL REVISION:		
1 PLACE ±----		DRWN: TWOLDEGE 2009/07/10		
0 PLACES ±----		APPR: JFMURPHY 2009/08/10		
ANGULAR TOL ± ---- °		THIRD ANGLE PROJECTION	DRAWING	
DRAFT WHERE APPLICABLE MUST REMAIN WITHIN DIMENSIONS		C-SIZE	SERIES	
		130006	MATERIAL NUMBER	
		SEE CHART	CUSTOMER	
		GENERAL MARKET	SHEET NUMBER	
			1 OF 1	