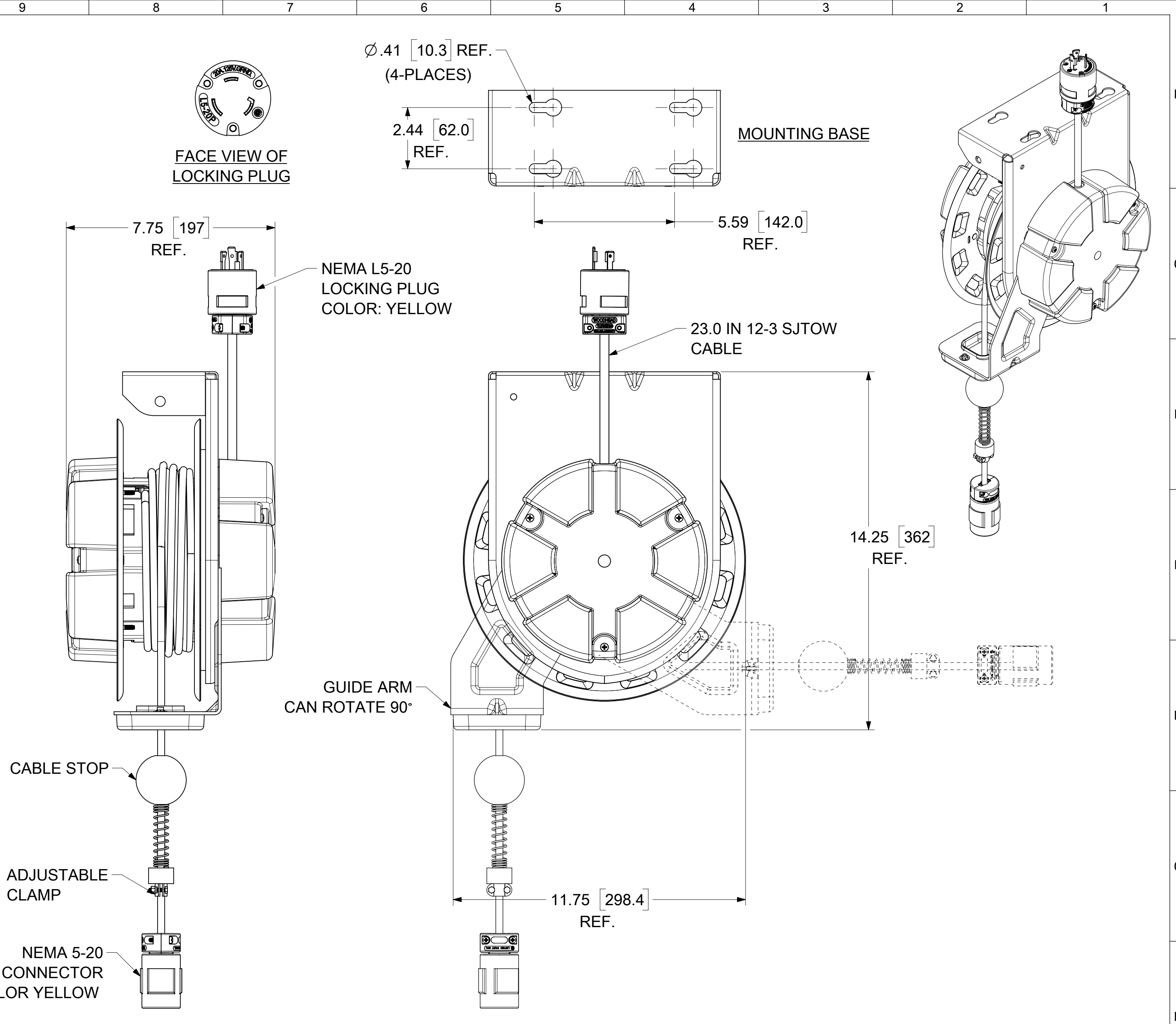
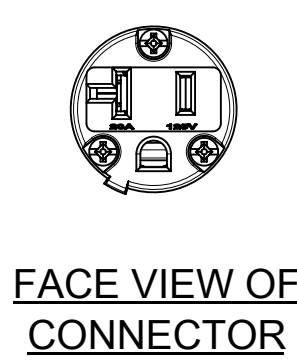


| | |
|-----------------------|--------------------|
| ORDER NO | 130091-0208 |
| WOODHEAD ENG. NO | 998L-1533 |
| WIRE GAUGE | 12 |
| CONDUCTORS | 3 |
| AMPERAGE | 20A |
| WORKING CORD | 35 FT. BLACK |
| CORD TYPE | SJTOW |
| CONSTRUCTION | STEEL |
| PAINT | YELLOW POWDER COAT |
| REEL ENCLOSURE RATING | INDOOR |
| RETRACTION WEIGHT | 3.0 LB [1.4 KG] |



- NOTES:**
1. CABLE GUIDE IS ADJUSTABLE - DUAL POSITION
 2. RATCHET LOCK IS EASY TO DISENGAGE FOR CONSTANT TENSION.
 3. REEL CANNOT BE "LOCKED OUT" AT FULL TENSION.
 4. CABLE STOP INCLUDED



| | | | | |
|--|---|------------------------|-----------------|--|
| FUNCTIONAL SYMBOLS | THIS DRAWING CONTAINS INFORMATION THAT IS PROPRIETARY TO MOLEX ELECTRONIC TECHNOLOGIES, LLC AND SHOULD NOT BE USED WITHOUT WRITTEN PERMISSION | | | |
| | DIMENSION UNITS | SCALE | | CURRENT REV DESC: RELEASE CUSTOMER DRAWING |
| $F_A = 0$ | INCH/MM | NTS | | molex CORD REEL W/1533 CONNECTOR 35' #12-3 SJTOW LOCKING NEMA L5-20 PLUG PRODUCT CUSTOMER DRAWING DOCUMENT NUMBER: SD-130091-018 DOC TYPE: PSD DOC PART: 001 REVISION: A1 MATERIAL NUMBER: SEE TABLE CUSTOMER: GENERAL MARKET SHEET NUMBER: 1 OF 1 |
| $F_E = 0$ | GENERAL TOLERANCES (UNLESS SPECIFIED) | | | |
| $F_P = 0$ | | MM | INCH | |
| DIVISIONAL SYMBOLS | 4 PLACES | ± | ± | |
| | 3 PLACES | ± | ± 0.005 | |
| | 2 PLACES | ± 0.13 | ± 0.01 | |
| | 1 PLACE | ± 0.25 | ± 0.02 | |
| | 0 PLACES | ± | ± | |
| | ANGULAR TOL | ± 0.5° | | |
| DRAFT WHERE APPLICABLE MUST REMAIN WITHIN DIMENSIONS | | THIRD ANGLE PROJECTION | DRAWING C-SIZE | SERIES 130091 |
| | | EC NO: 670807 | DRWN: DSOPPIN | 2020/06/23 |
| | | CHK'D: DSOPPIN | APPR: HKNEELAND | 2022/06/08 |
| | | INITIAL REVISION: | DRWN: KCOX01 | 2015/07/30 |
| | | | APPR: JFMURPHY | 2015/09/17 |