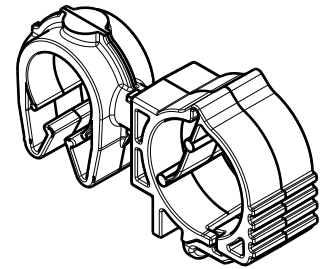
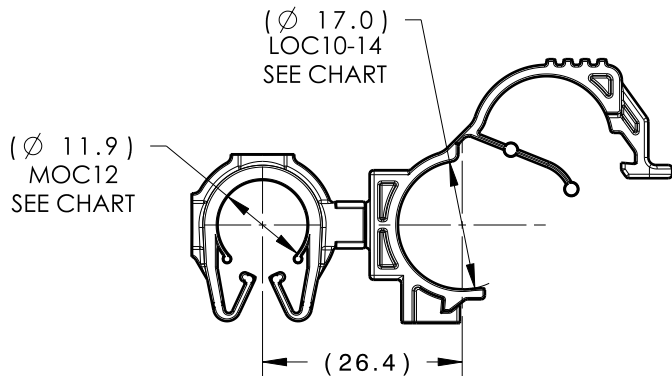
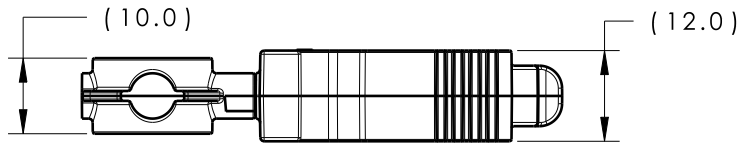
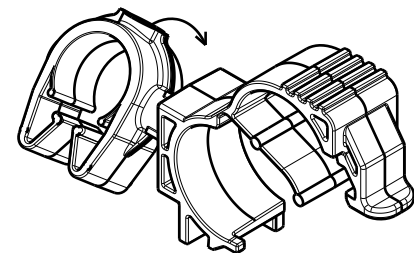


Revision Level			Revision Record	Changed	Date	Approved	Date
Drawing	State	Part					
03.1	Design Release	-	SEE ECN# 015045	TAT	4/3/2019	EJH	4/3/2019



ISOMETRIC VIEW
CLOSED

CLIPS ROTATE
360 DEGREES



ISOMETRIC VIEW
OPEN

TYPE	MOC12F
HARNESS	11.5MM-13.0MM
HOSE	10.5MM-13.0MM
HARD PIPE/TUBE	12.0MM-13.8MM

*RECOMMENDED SIZES MAY DIFFER DEPENDING ON THE APPLICATION , PRODUCT REQUIREMENTS AND MATERIALS USED

**PATENT PENDING 29/582,271



GLOBAL PART DESCRIPTION	MOC12**			LOC 10-14		
	DRAWING	MATERIAL	COLOR	DRAWING	MATERIAL	COLOR
MOC12FLOC10-14-PA66HIRHSUV-BK	16-0319-000-CSU	PA66HIRHSUV	BLACK	11-0594-031-CSU	PA66HIRHSUV	BLACK

Material
SEE CHART
COLOR: SEE CHART

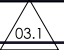
Units millimeters
Tolerance defined on each dimension

The copyright of this drawing is reserved by HellermannTyton. It is issued on condition that it is not reproduced, copied or disclosed to a third party, either wholly or in part, without the consent of HellermannTyton.

Drawn TAT 5/19/17
Approved EJH 5/22/17

HellermannTyton

North America
Email: corp@htamericas.com
Web: www.hellermann.tyton.com

Article/Type-No MOC12FLOC10-14 
Title 12MM MOC COUPLED TO 10-14MM LOC
Drawing-No PRODUCTION : Phase
16-0327-122-CSU

Scale 1:1
Project Number 16-0327
Format AH
Sheet 1/1