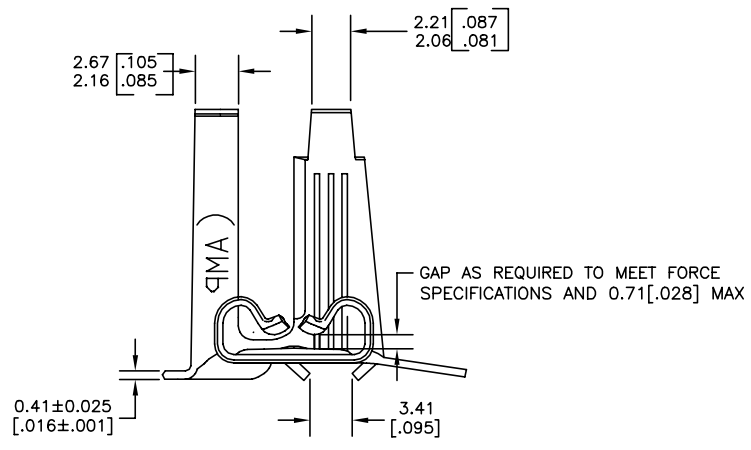
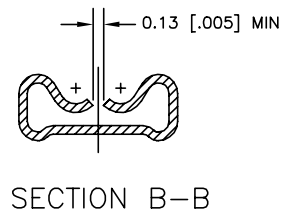
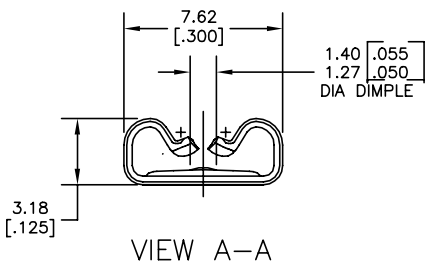
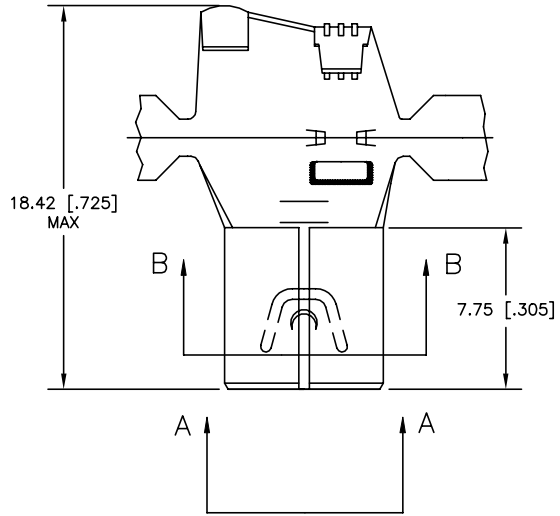


THIS DRAWING IS UNPUBLISHED. RELEASED FOR PUBLICATION  
 © COPYRIGHT - By - ALL RIGHTS RESERVED.

LOC		DIST		REVISIONS			
P	LTR	DESCRIPTION	DATE	DN	APD		
AF	50						
A2		REL PER ECO-13-009003	29MAY13	JR	PD		
A3		REVISED PER ECR-20-009164	13JULY2020	MK	DH		

- 1 CONTINUOUS STRIP ON REELS
- 2 ACCEPTS WIRE SIZE COMBINATIONS OF TWO #14'S, OR TWO #16'S OR ONE #14 WITH ONE #16.
- 3 INSULATION RANGE IS TWO AT 3.56 [.140] MAX DIA
- 4 MATING TAB THK IS 0.84-0.76 [.033-.030]
- 5 0.00381 [.000150] MIN NICKEL PLATE



1742626-1  
 PART NO

THIS DRAWING IS A CONTROLLED DOCUMENT.		DRN: jr_ruth 24JUL07		
DIMENSIONS: MM [ INCHES ]		CHK: P DESANTIS 24JUL07		
TOLERANCES UNLESS OTHERWISE SPECIFIED:		APRO: P DESANTIS 24JUL07	NAME: RECEPTACLE, FASTON, FLAG, 6.35 [.250] SERIES	
0 PLC ± -	1 PLC ± -	PRODUCT SPEC	APPLICATION SPEC	
2 PLC ± 0.25 [.010]	3 PLC ± -	WEIGHT	RESTRICTED TO	
4 PLC ± -	ANGLES ± 5°	MATERIAL: CR STEEL	FINISH: -- 5	SIZE: A2
		CAGE CODE: 00779		DRAWING NO: 1742626
		CUSTOMER DRAWING		SCALE: 6:1 SHEET: 1 of 1 REV: A3