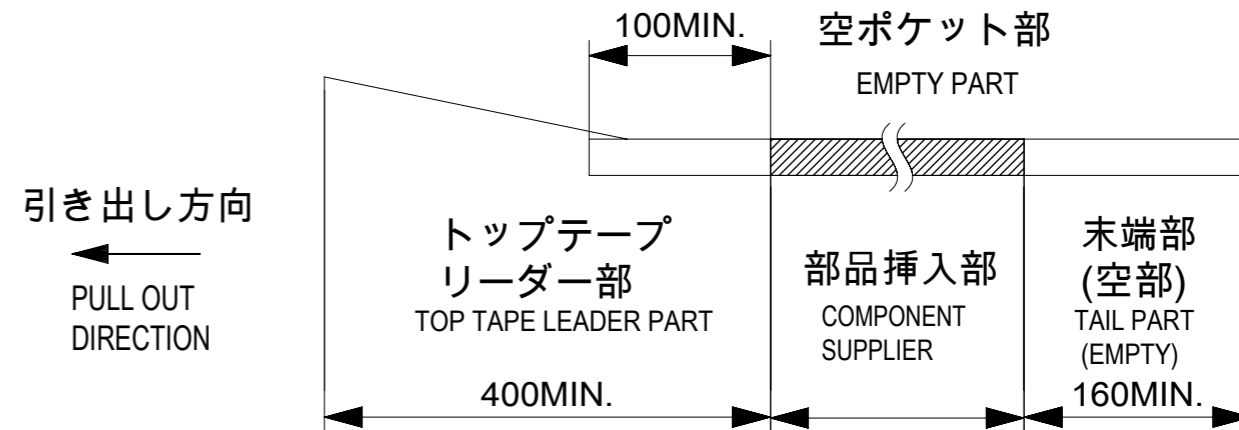


NOTES

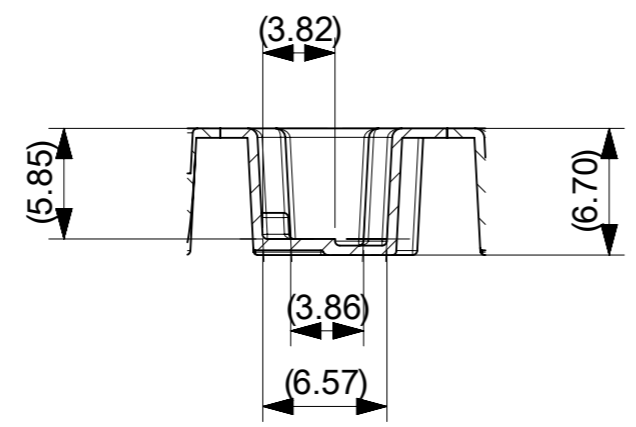
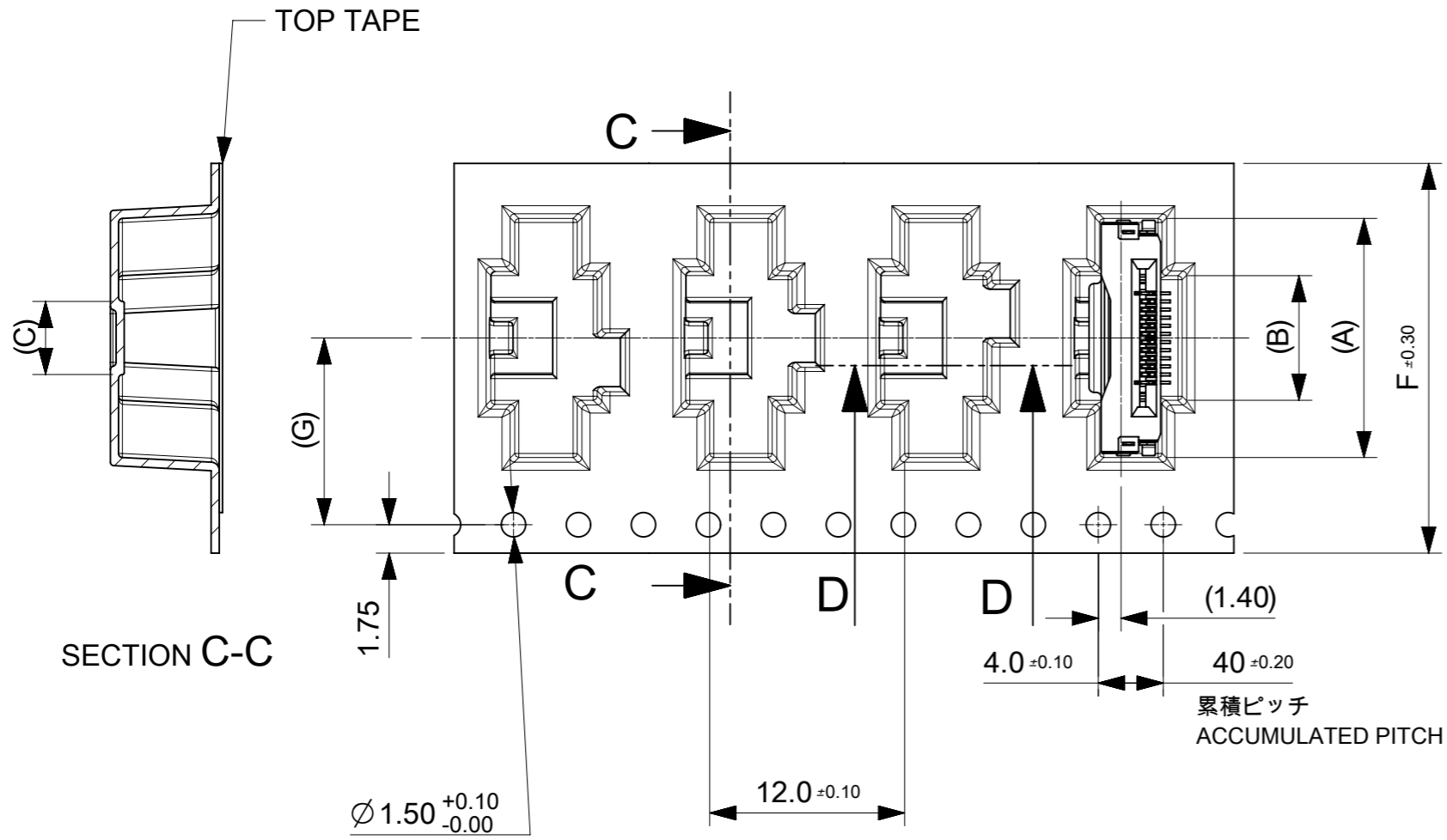
- 梱包数量 : 1200個 / リール
NUMBER OF CONNECTORS : 1200 PCS/REEL.
- リードテープ長さ
LEAD TAPE LENGTH



- カバーテープの剥離強度については、IEC60286-3に準拠。
TOP TAPE PEEL FORCE IS DEFINED BY IEC 60286-3.
- 製品詳細寸法については、図面 2004851300を参照下さい。
FOR DIMENSIONS OF PRODUCT, REFER TO 2004851300
- 材料 MATERIAL
キャリアテープ : ポリスチレン
CARRIER TAPE : POLYSTYRENE
トップテープ : ポリエチレンテレフタレート、ポリエチレン
TOP TAPE : POLYETHYLENE TEREPHTHALATE, POLYETHYLENE
リール : ポリスチレン<リサイクル材を含む>
REEL : POLYSTYRENE RECYCLED MATERIAL CONTAINED
- ELV及びRoHS適合品 ELV AND RoHS COMPLIANT.

THIS DRAWING CONTAINS INFORMATION THAT IS PROPRIETARY TO MOLEX ELECTRONIC TECHNOLOGIES, LLC AND SHOULD NOT BE USED WITHOUT WRITTEN PERMISSION		CURRENT REV DESC:		molex		
DIMENSION UNITS	SCALE					
mm	NTS			EMB PKG ONE-TOUCH ST GND HT		
GENERAL TOLERANCES (UNLESS SPECIFIED)				PRODUCT CUSTOMER DRAWING		
ANGULAR TOL	± 1.0 °			DOCUMENT NUMBER		
4 PLACES	± 0.1	EC NO: 648126		2004850300		
3 PLACES	± 0.1	DRWN: TYAMANE 2020/10/15		DOC TYPE		
2 PLACES	± 0.1	CHK'D: YMATSUMOTO 2020/10/30		PSD		
1 PLACE	± 0.1	APPR: SHOSHIKAWA 2020/11/02		DOC PART		
0 PLACES	± 0.1	INITIAL REVISION:		REVISION		
DRAFT WHERE APPLICABLE MUST REMAIN WITHIN DIMENSIONS		THIRD ANGLE PROJECTION	DRAWING	SERIES	MATERIAL NUMBER	CUSTOMER
			A3-SIZE	200485	SEE TABLE	GENERAL
						SHEET NUMBER
						1 OF 3

引き出し方向
PULL OUT
DIRECTION



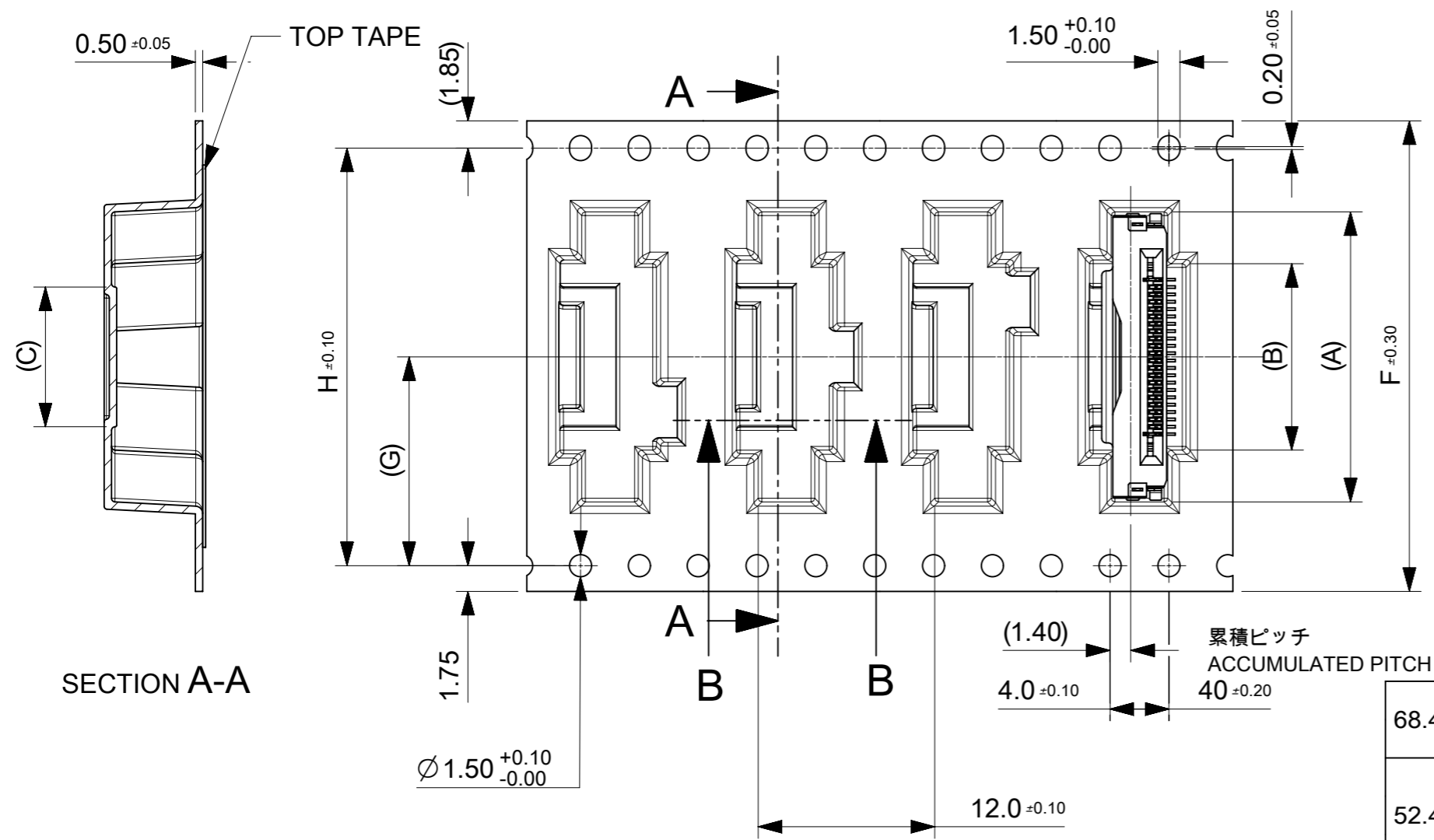
SECTION D-D

11.5	24	29.4	25.4	4.5	7.65	14.7	2004850310	10
G	F	E	D	C	B	A	EMBOSSED PACKAGE	Ckt
							オーダー番号 ORDER NO.	

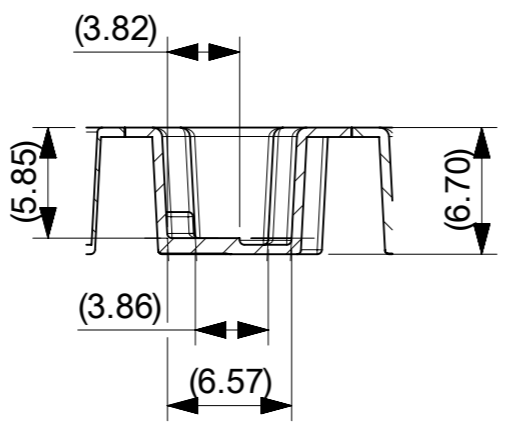
THIS DRAWING CONTAINS INFORMATION THAT IS PROPRIETARY TO MOLEX ELECTRONIC TECHNOLOGIES, LLC AND SHOULD NOT BE USED WITHOUT WRITTEN PERMISSION									
DIMENSION UNITS		SCALE		CURRENT REV DESC:					
mm		NTS		<p>molex</p> <p>EMB PKG ONE-TOUCH ST GND HT</p> <p>PRODUCT CUSTOMER DRAWING</p> <p>DOCUMENT NUMBER: 2004850300 DOC TYPE: PSD DOC PART: 000 REVISION: B</p>					
GENERAL TOLERANCES (UNLESS SPECIFIED)									
ANGULAR TOL ± 1.0 °									
4 PLACES ± 0.1									
3 PLACES ± 0.1									
2 PLACES ± 0.1									
1 PLACE ± 0.1									
0 PLACES ± 0.1				INITIAL REVISION:		SERIES		MATERIAL NUMBER	
DRWN: TYAMANE		2020/10/15		A3-SIZE		200485		SEE TABLE	
DRWN: TYAMANE		2020/10/30		DRAWING		CUSTOMER		SHEET NUMBER	
APPR: SHOSHIKAWA		2020/11/02		THIRD ANGLE PROJECTION		GENERAL		2 OF 3	
APPR: SHOSHIKAWA		2020/06/08		DRAFT WHERE APPLICABLE MUST REMAIN WITHIN DIMENSIONS					

CONNECTOR NO. 20048513**

引き出し方向
PULL OUT
DIRECTION



SECTION A-A



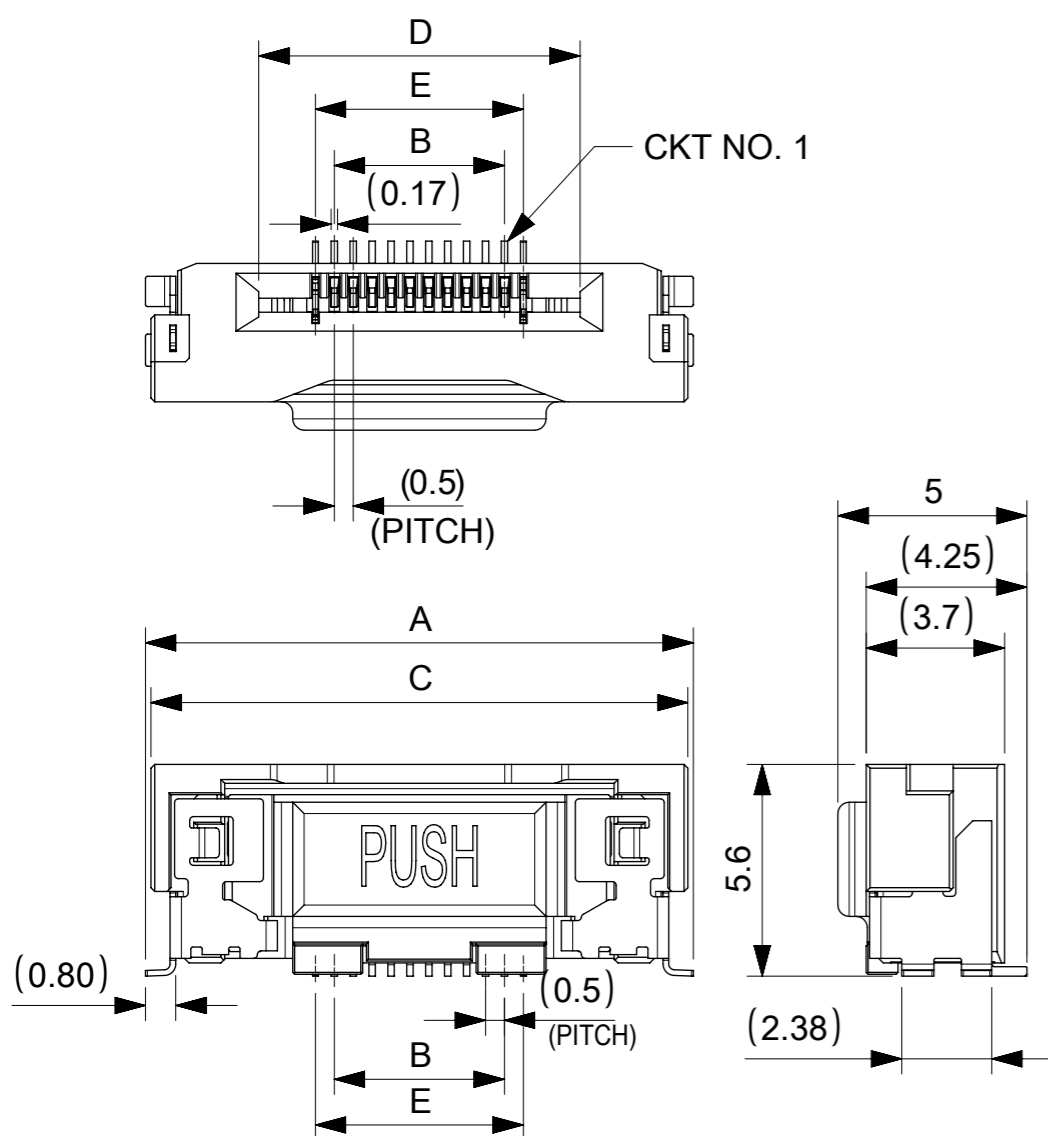
SECTION B-B

CONNECTOR NO. 20048513**

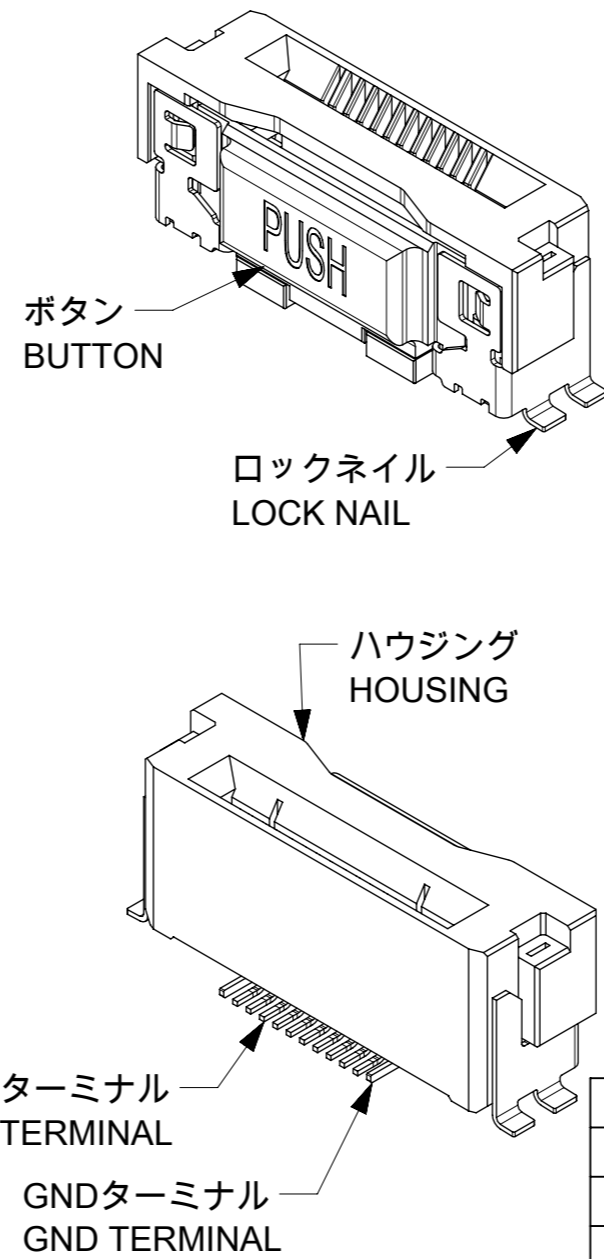
68.4	34.2	72	78.1	73.5	39.5	42.65	49.7	2004850380	80
					34.5	37.65	44.7	2004850370	70
52.4	26.2	56	61.4	75.4	29.5	32.65	39.7	2004850360	60
					25	28.15	35.2	2004850351	51
40.4	20.2	44	49.4	45.4	24.5	27.65	34.7	2004850350	50
					19.5	22.65	29.7	2004850340	40
					17	20.15	27.2	2004850335	35
28.4	14.2	32	37.4	33.4	14.5	17.65	24.7	2004850330	30
					9.5	12.65	19.7	2004850320	20
H	G	F	E	D	C	B	A	EMBOSSED PACKAGE	Ckt
								オーダー番号 ORDER NO.	

THIS DRAWING CONTAINS INFORMATION THAT IS PROPRIETARY TO MOLEX ELECTRONIC TECHNOLOGIES, LLC AND SHOULD NOT BE USED WITHOUT WRITTEN PERMISSION

DIMENSION UNITS mm	SCALE NTS	CURRENT REV DESC:		molex	
GENERAL TOLERANCES (UNLESS SPECIFIED)		EC NO: 648126			
ANGULAR TOL	± 1.0 °	DRWN: TYAMANE 2020/10/15		PRODUCT CUSTOMER DRAWING	
4 PLACES	± 0.1	CHK'D: YMATSUMOTO 2020/10/30		DOCUMENT NUMBER	
3 PLACES	± 0.1	APPR: SHOSHIKAWA 2020/11/02		2004850300	
2 PLACES	± 0.1	INITIAL REVISION:		DOC TYPE	DOC PART
1 PLACE	± 0.1	DRWN: TYAMANE 2018/10/04		PSD	000
0 PLACES	± 0.1	APPR: SHOSHIKAWA 2020/06/08		REVISION	B
DRAFT WHERE APPLICABLE MUST REMAIN WITHIN DIMENSIONS		THIRD ANGLE PROJECTION	DRAWING	SERIES	MATERIAL NUMBER
			A3-SIZE	200485	CUSTOMER
				GENERAL	SHEET NUMBER
				3 OF 3	

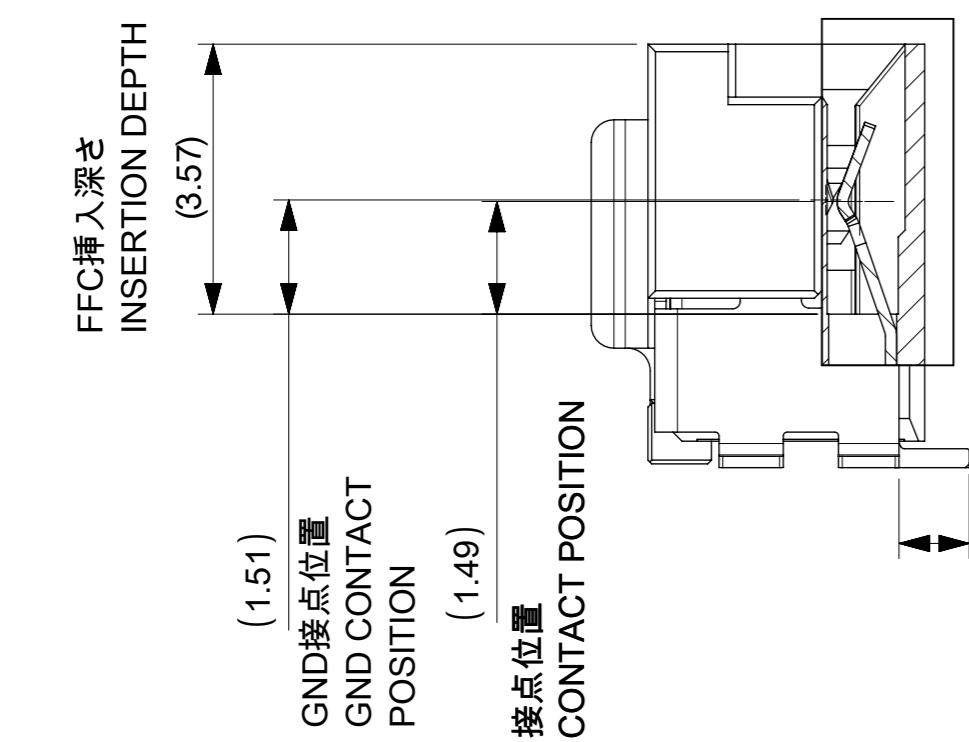


CKT NO. 1



NOTES:

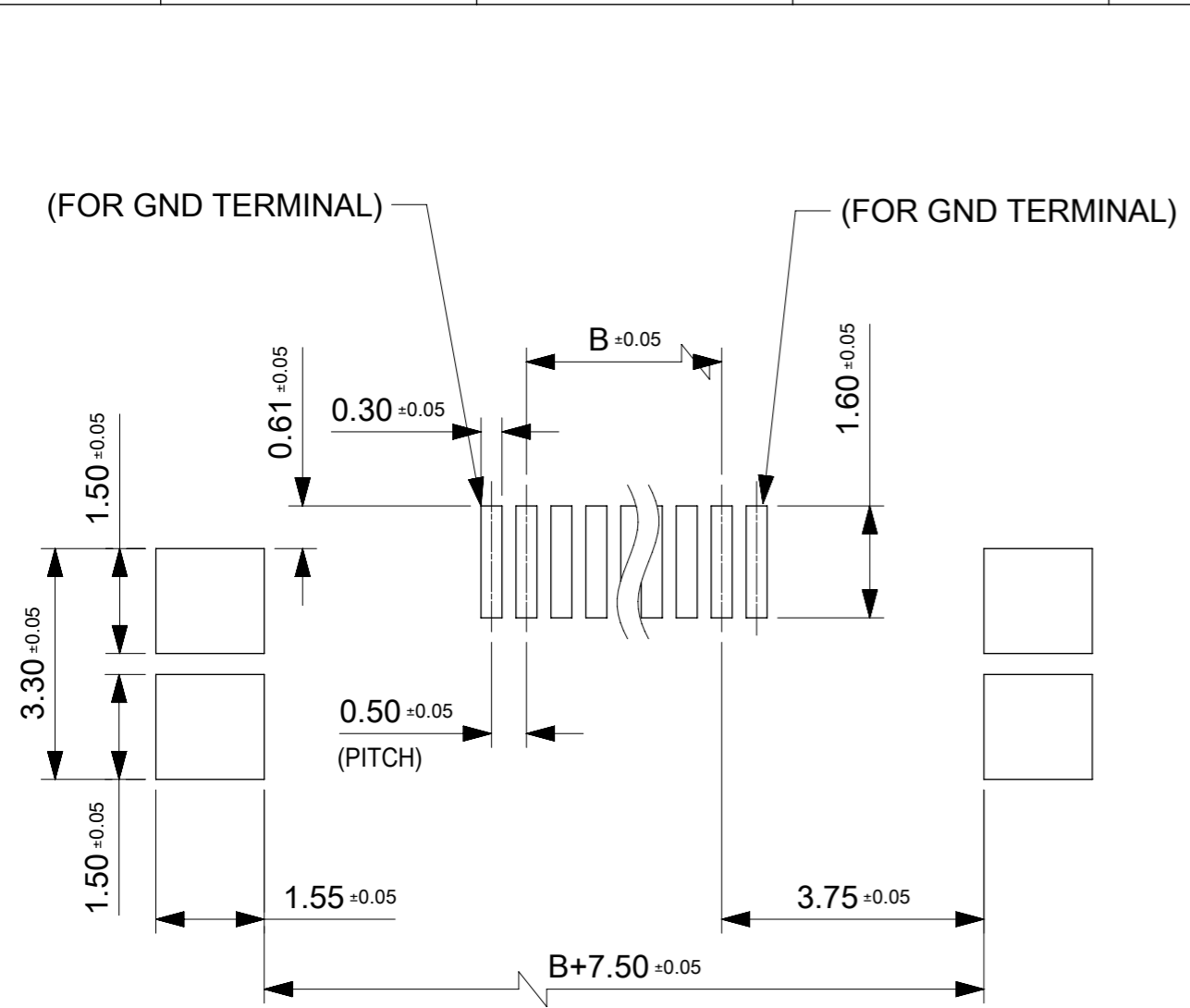
- 1.使用材料 MATERIAL
 ハウジング：液晶ポリマー，ガラス充填，UL94V-0(黒)
 HOUSING：LIQUID CRYSTAL POLYMER，GLASS FILLED，UL94V-0(BLACK)
 ボタン：液晶ポリマー，ガラス充填，UL94V-0(ナチュラル)
 BUTTON：LIQUID CRYSTAL POLYMER，GLASS FILLED，UL94V-0(NATURAL)
 ターミナル：銅合金(t=0.15)
 TERMINAL：COPPER ALLOY
 ロックネイル：銅合金(t=0.15)
 LOCK NAIL：COPPER ALLOY
 GNDターミナル：銅合金(t=0.15)
 GND TERMINAL：COPPER ALLOY
- 2.めっき仕様 PLATING
 ターミナル TERMINAL
 接点部：金めっき 0.1μm以上
 CONTACT AREA：GOLD 0.1 MICROMETER MINIMUM
 半田付け部：金めっき
 SOLDER TAIL AREA：GOLD
 下地めっき：ニッケル 1.0μm以上
 UNDERPLATE：NICKEL 1.0 MICROMETER MINIMUM
 ロックネイル LOCK NAIL
 錫めっき(1.0μm以上)
 TIN PLATING (1.0 MICROMETER MIN.)
 GNDターミナル GND TERMINAL
 錫めっき(1.0μm以上)
 TIN PLATING (1.0 MICROMETER MIN.)
- 3.平坦度は0.1ミリ以下とする。
 COPLANALITY TO BE 0.1 MAXIMUM.



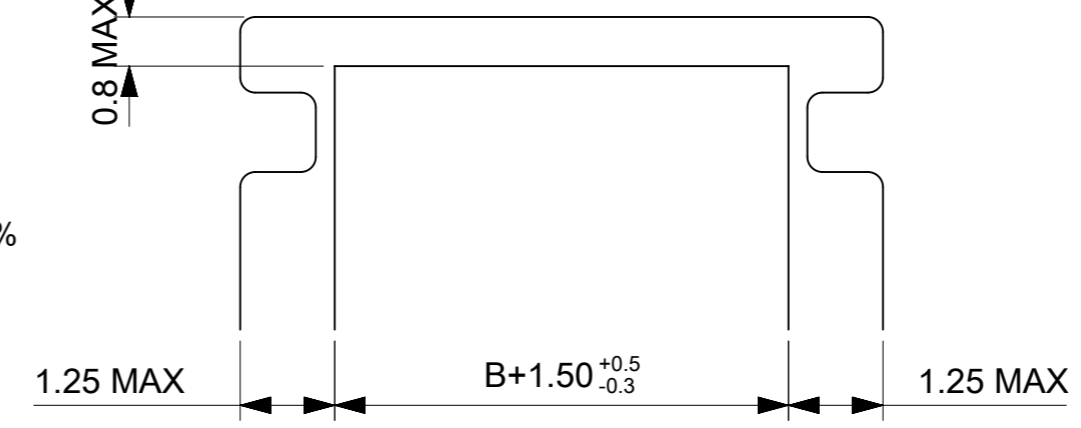
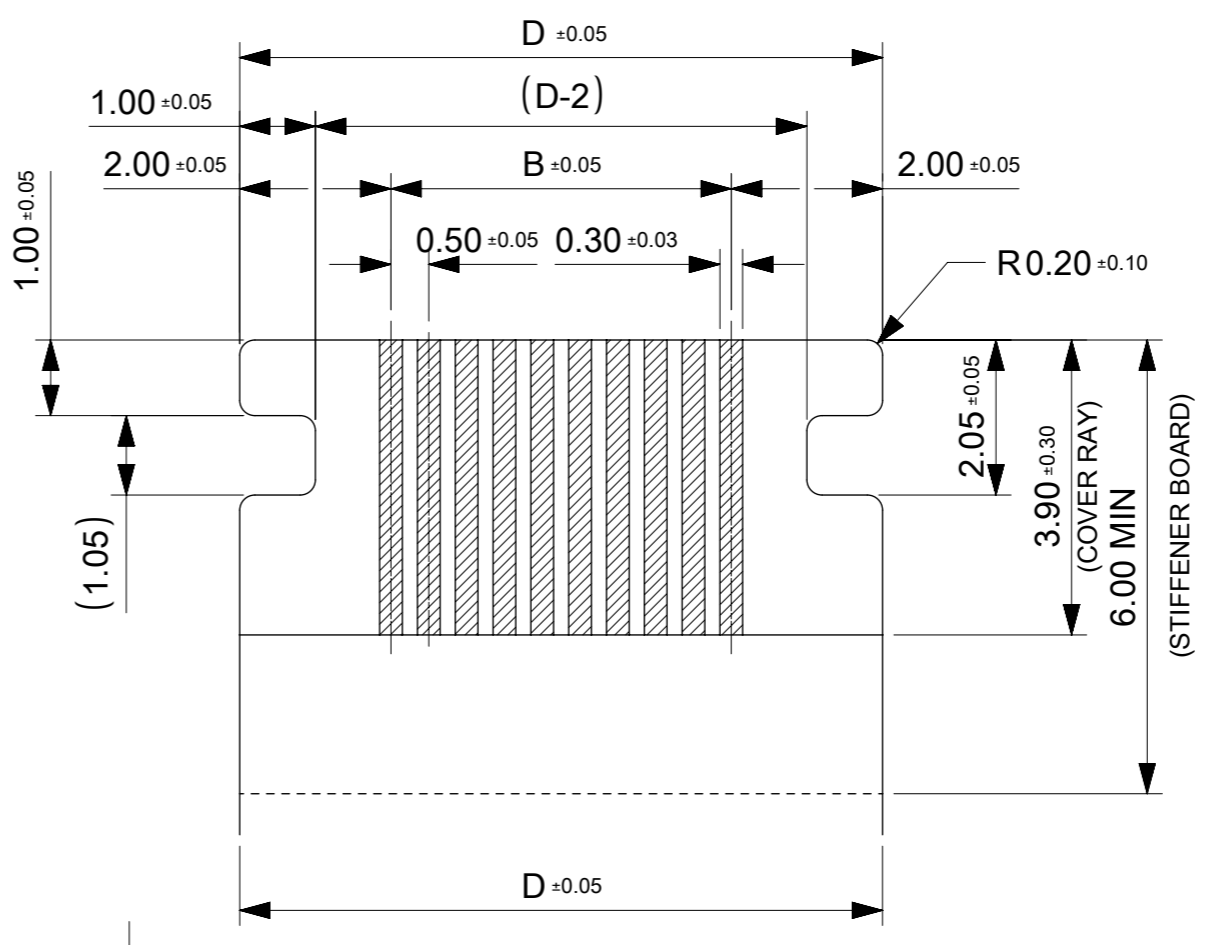
1.323	40.5	43.5	49.2	39.5	49.49	2004850380	80
1.215	35.5	38.5	44.2	34.5	44.49	2004850370	70
1.072	30.5	33.5	39.2	29.5	39.49	2004850360	60
0.957	26	29	34.7	25	34.99	2004850351	51
0.942	25.5	28.5	34.2	24.5	34.49	2004850350	50
0.796	20.5	23.5	29.2	19.5	29.49	2004850340	40
0.702	18	21	26.7	17	26.99	2004850335	35
0.650	15.5	18.5	24.2	14.5	24.49	2004850330	30
0.504	10.5	13.5	19.2	9.5	19.49	2004850320	20
0.358	5.5	8.5	14.2	4.5	14.49	2004850310	10
NET WEIGHT (g)	E	D	C	B	A	EMBOSSED PACKAGE	CIRC UIT
CONNECTOR SERIES NO. 20048513**						ORDER NO.	

THIS DRAWING CONTAINS INFORMATION THAT IS PROPRIETARY TO MOLEX ELECTRONIC TECHNOLOGIES, LLC AND SHOULD NOT BE USED WITHOUT WRITTEN PERMISSION

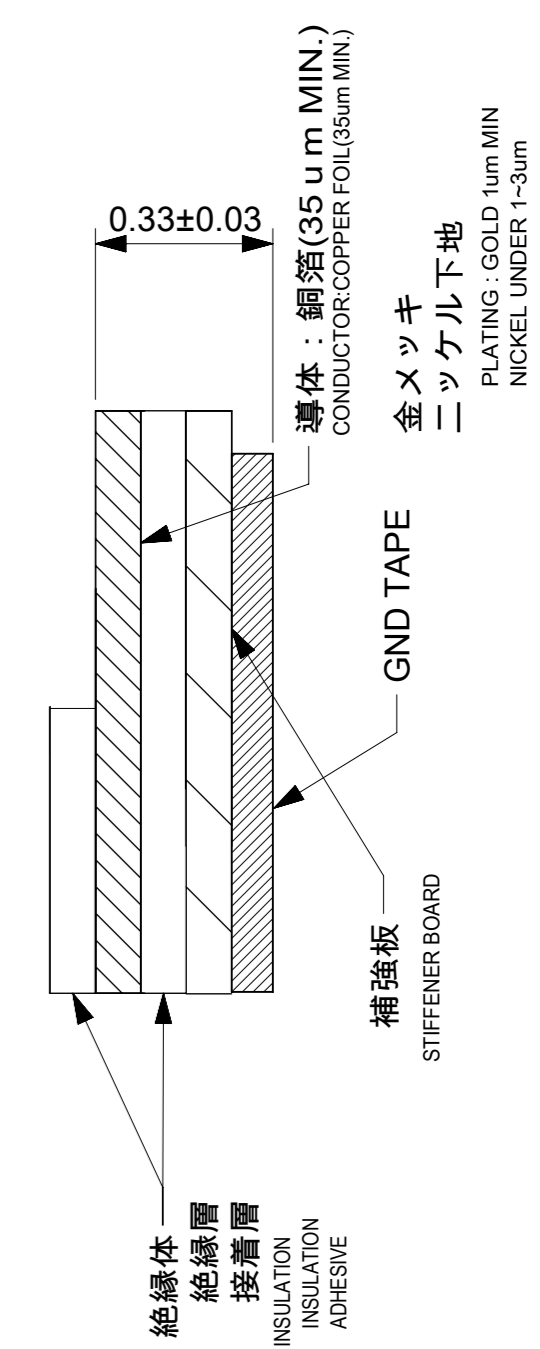
DIMENSION UNITS mm	SCALE 5:1	CURRENT REV DESC:		molex		
GENERAL TOLERANCES (UNLESS SPECIFIED)		EC NO: 674194				
ANGULAR TOL ± 1.0°	4 PLACES ± 0.1	DRWN: AHMADI2	2021/08/18	PRODUCT CUSTOMER DRAWING		
3 PLACES ± 0.1	2 PLACES ± 0.1	CHK'D: TKON	2021/08/19	DOCUMENT NUMBER		
1 PLACE ± 0.1	0 PLACES ± 0.1	APPR: SHOSHIKAWA	2021/08/19	DOC TYPE		
DRAFT WHERE APPLICABLE MUST REMAIN WITHIN DIMENSIONS		INITIAL REVISION:		DOC PART		
THIRD ANGLE PROJECTION		DRWN: AOKAJIMA	2017/03/08	REVISION		
DRAWING		APPR: SHOSHIKAWA	2020/06/08	2004851300		
SERIES		MATERIAL NUMBER		CUSTOMER		
A3-SIZE		200485		SEE TABLE		
SHEET NUMBER		GENERAL		1 OF 2		



推奨PWB寸法
 RECOMMENDED PWB DIMENSION
 推奨メタルマスク厚、開口率 : t=0.12mm, 80%
 RECOMMENDED METAL MASK THICKNESS, APERTURE RATIO : t=0.12mm, 80%
 ロックネイル部開口部は100%
 APERTURE RATIO FOR LOCK NAIL: 100%



推奨FFC寸法
 RECOMMENDED FFC DIMENSION
 抜き方向は導体側から補強版側を推奨します
 RECOMMENDED PUNCHING DIRECTION:
 FROM CONDUCTOR SIDE TO STIFFENER SIDE



導体 : 銅箔(35 μm MIN.)
 CONDUCTOR: COPPER FOIL(35 μm MIN.)
 金メッキ
 ニッケル下地
 PLATING : GOLD 1 μm MIN
 NICKEL UNDER 1~3 μm

絶縁体
 絶縁層
 接着層
 INSULATION
 INSULATION
 ADHESIVE

補強板
 STIFFENER BOARD
 GND TAPE

THIS DRAWING CONTAINS INFORMATION THAT IS PROPRIETARY TO MOLEX ELECTRONIC TECHNOLOGIES, LLC AND SHOULD NOT BE USED WITHOUT WRITTEN PERMISSION													
DIMENSION UNITS mm		SCALE 10:1		CURRENT REV DESC:									
GENERAL TOLERANCES (UNLESS SPECIFIED)				molex 0.5FFC CONN. ST ONE TOUCH ASSY GND HT PRODUCT CUSTOMER DRAWING									
ANGULAR TOL ± 1.0 °													
4 PLACES ± 0.1		EC NO: 674194								2021/08/18			
3 PLACES ± 0.1		DRWN: AHMADI2								2021/08/19			
2 PLACES ± 0.1		CHK'D: TKON								2021/08/19			
1 PLACE ± 0.1		APPR: SHOSHIKAWA								2021/08/19			
0 PLACES ± 0.1		INITIAL REVISION:		2017/03/08		DOCUMENT NUMBER		DOC TYPE DOC PART REVISION					
DRAFT WHERE APPLICABLE MUST REMAIN WITHIN DIMENSIONS		THIRD ANGLE PROJECTION		DRAWING		SERIES		MATERIAL NUMBER CUSTOMER SHEET NUMBER					
		A3-SIZE		200485		2004851300		PSD 000 C					

DOCUMENT STATUS	P1	RELEASE DATE	2021/08/19	01:59:56
-----------------	----	--------------	------------	----------