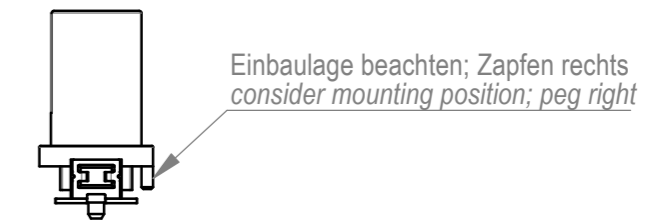
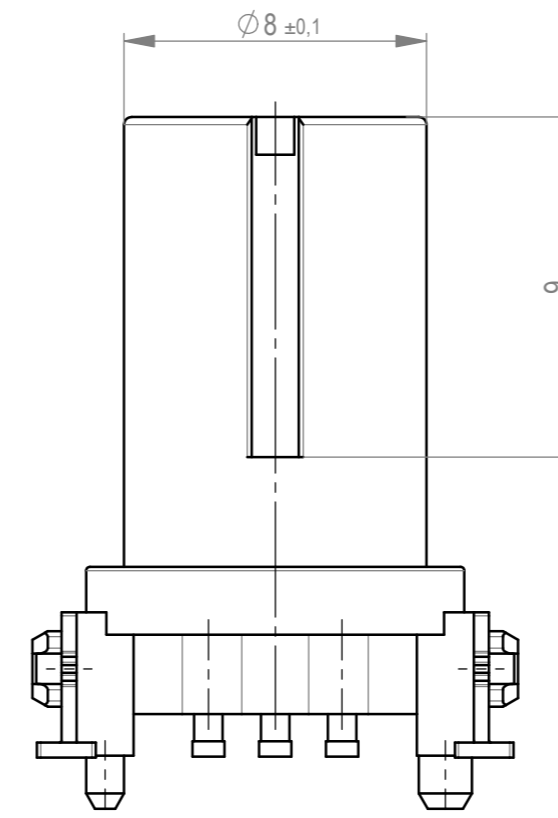
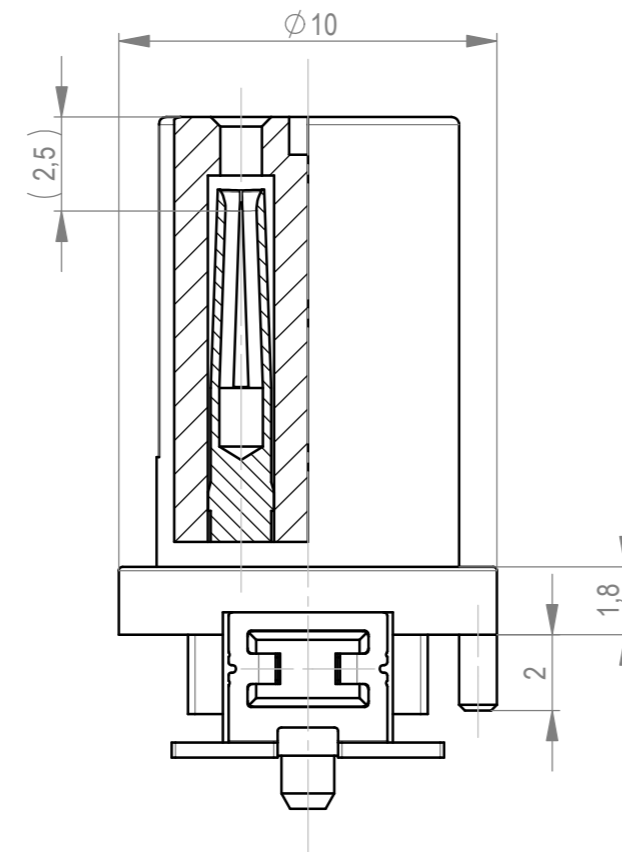
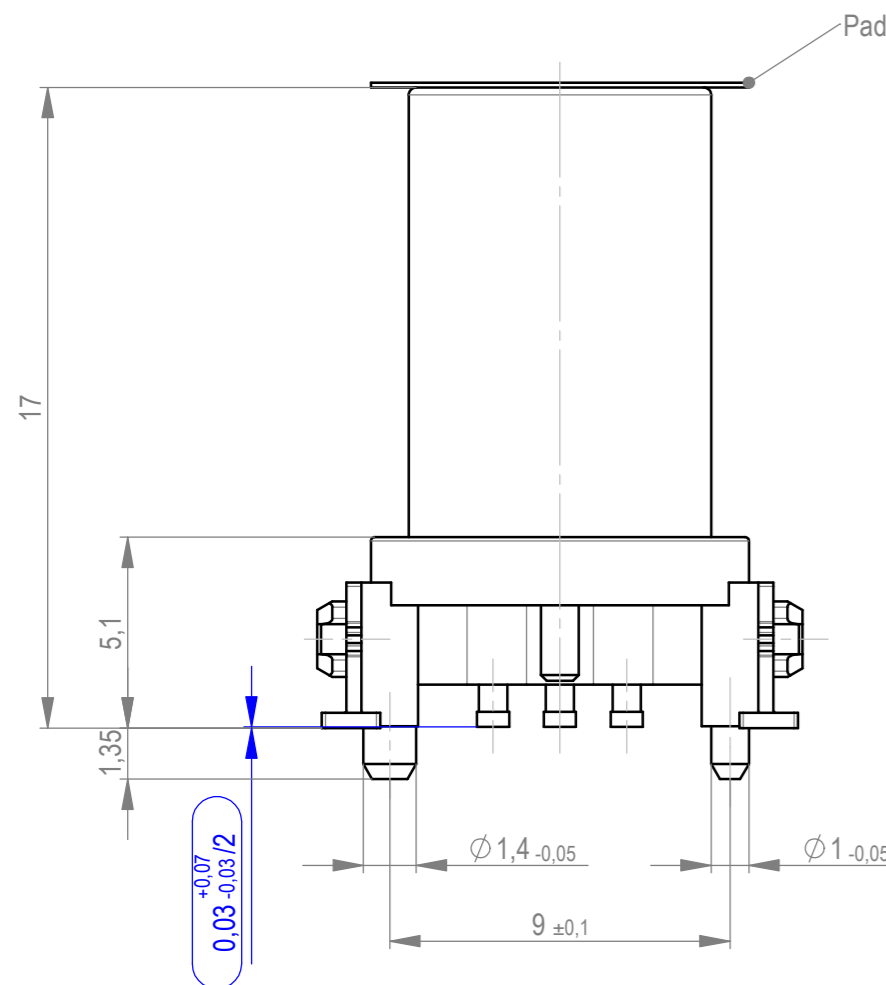
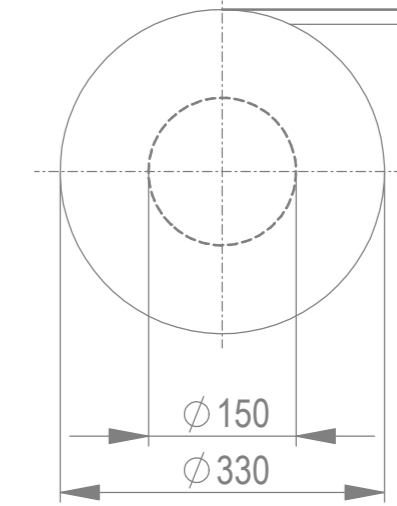
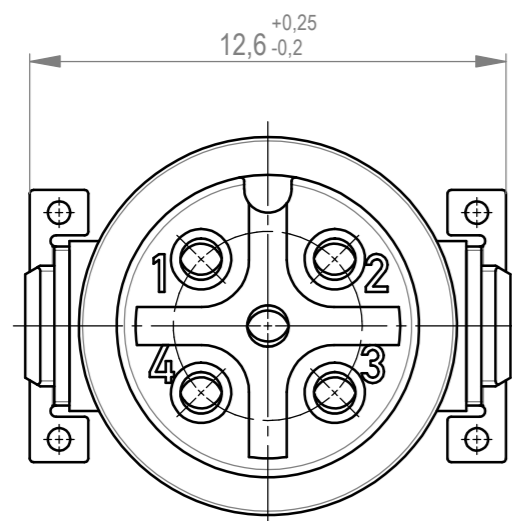
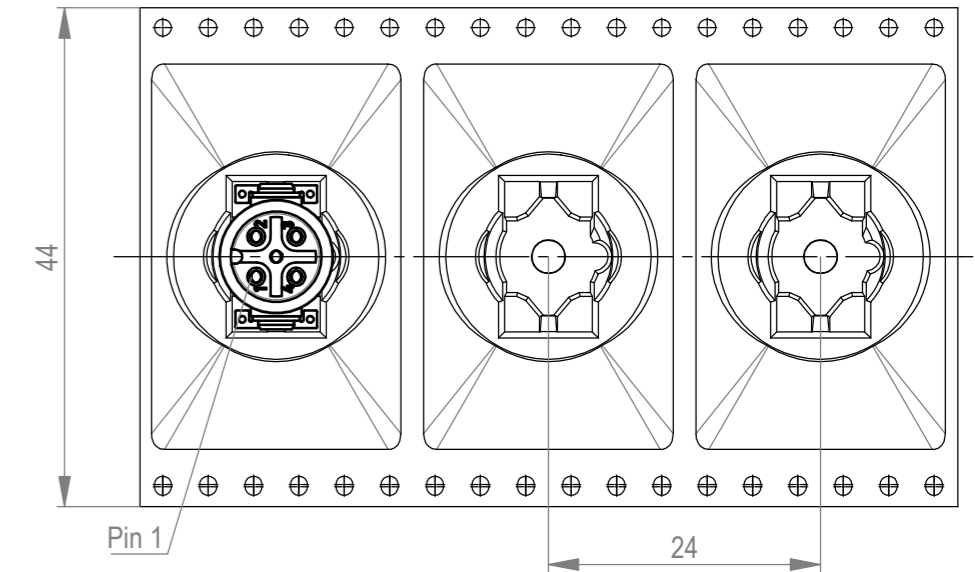


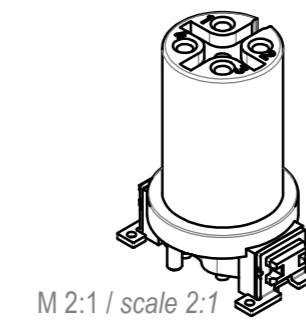
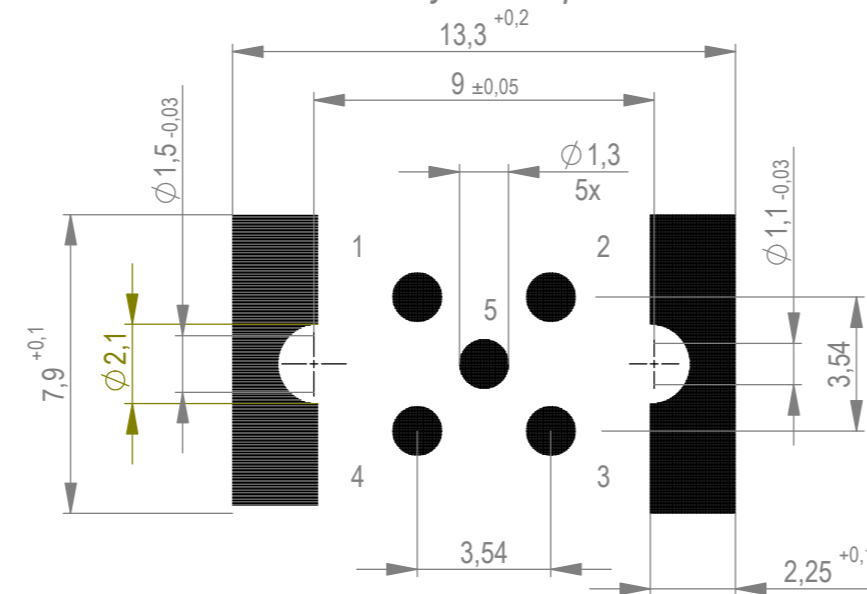
Verpackt im Gurt in Anlehnung an DIN IEC 60286-3
 tape on reel packaging according to DIN IEC 60286-3
 Verpackungseinheit: 100 Stück
 packaging unit: 100 pcs



Abspulrichtung - reel off direction



Layout-Vorschlag
 PCB-Layout Proposal



Zeichnung Spezifikation siehe ERNI Dokument 5.3.17
 Drawing Specification according to ERNI Document 5.3.17

Koplanarität aller Clips ≤ 0,1mm
 coplanarity of all clips ≤ 0,1 mm

| | |
|-----------------------|---|
| 484896 | Gurtverpackung mit Pad tape on reel packaging with Pad |
| 354702 | Gurtverpackung tape on reel packaging |
| Ident-Nr. part-no. | Bemerkung remark |

| | | | |
|---|---|--|-------------------|
| Dimension no. | Tolerances ISO 8015 | Scale 5:1 | Material |
| Customer drawing: All rights reserved. Only for information. To ensure that this is the latest version of this drawing, please contact one of the ERNI companies before using. | Subject to modification without prior notice. Drawing will not be updated. | M12 Circular Connectors Female Connector A Cod 5p 17mm SMT V | |
| e Index | 17.02.2020 Date | ERNI International AG Zürichstrasse 72 8306 Brüttisellen - Zürich Switzerland | 354703 I A2 |
| | | Class | M12 |

Die deutsche Version dieser Zeichnung dient nur zur Erläuterung der Handlung. Bei Abweichungen vom englischen Original gilt das englische Original. All dimensions and tolerances are in millimeters unless otherwise specified. All rights reserved. In case of any deviation the English version shall prevail.