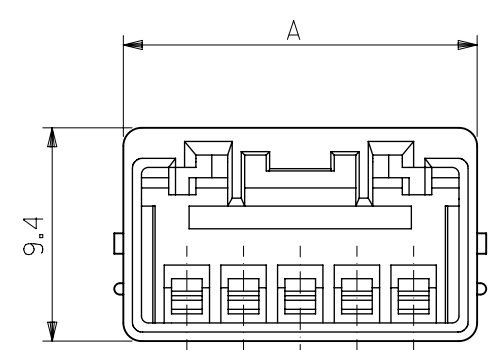
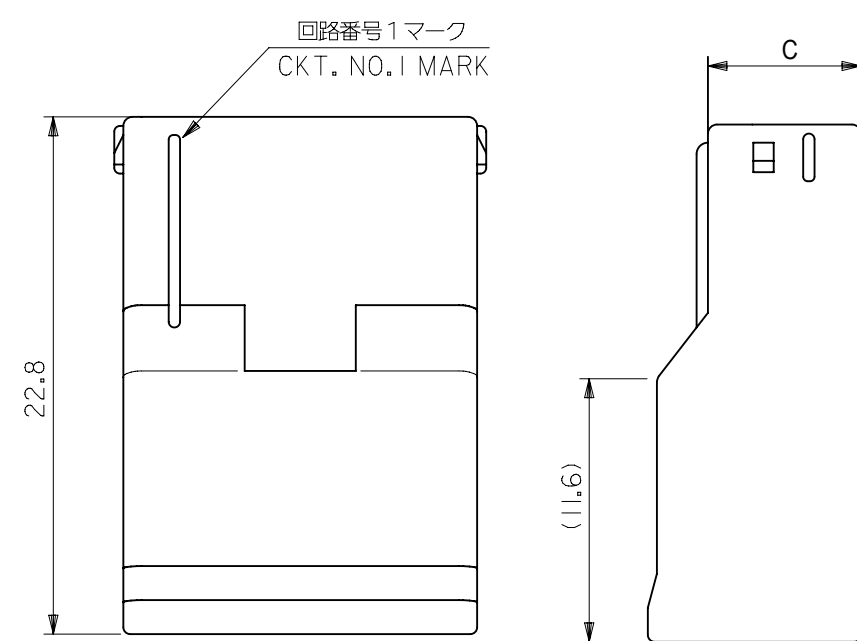
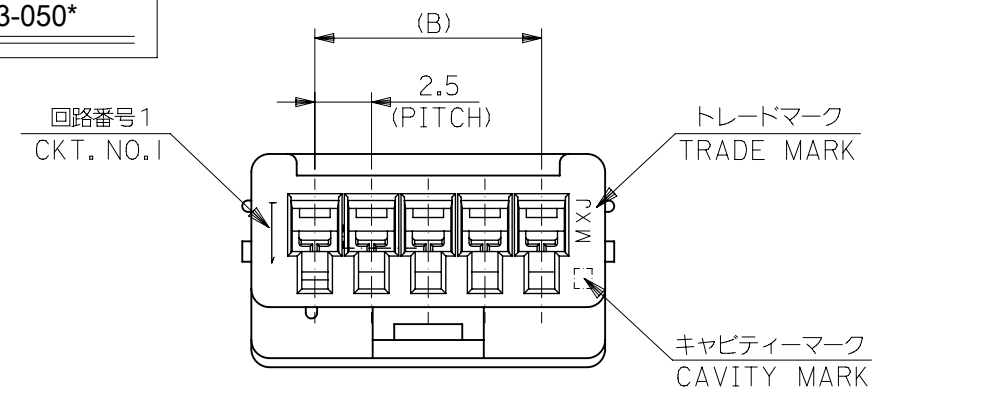
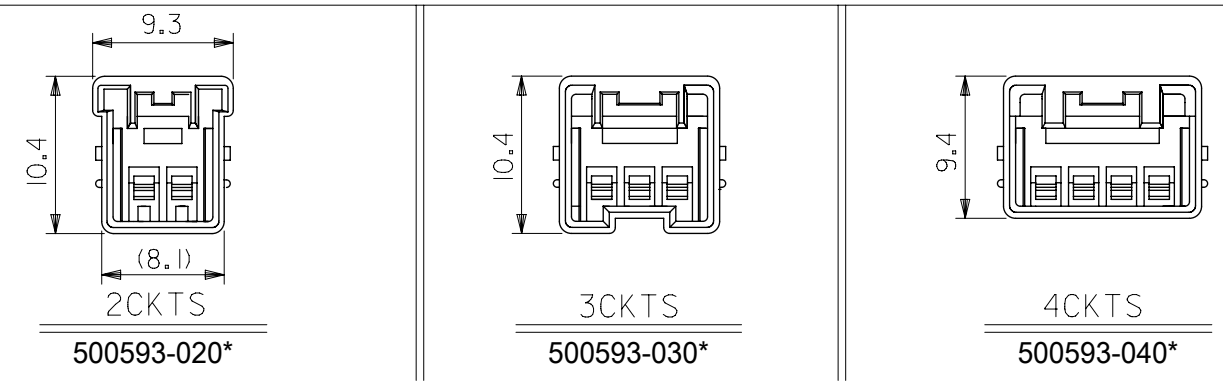


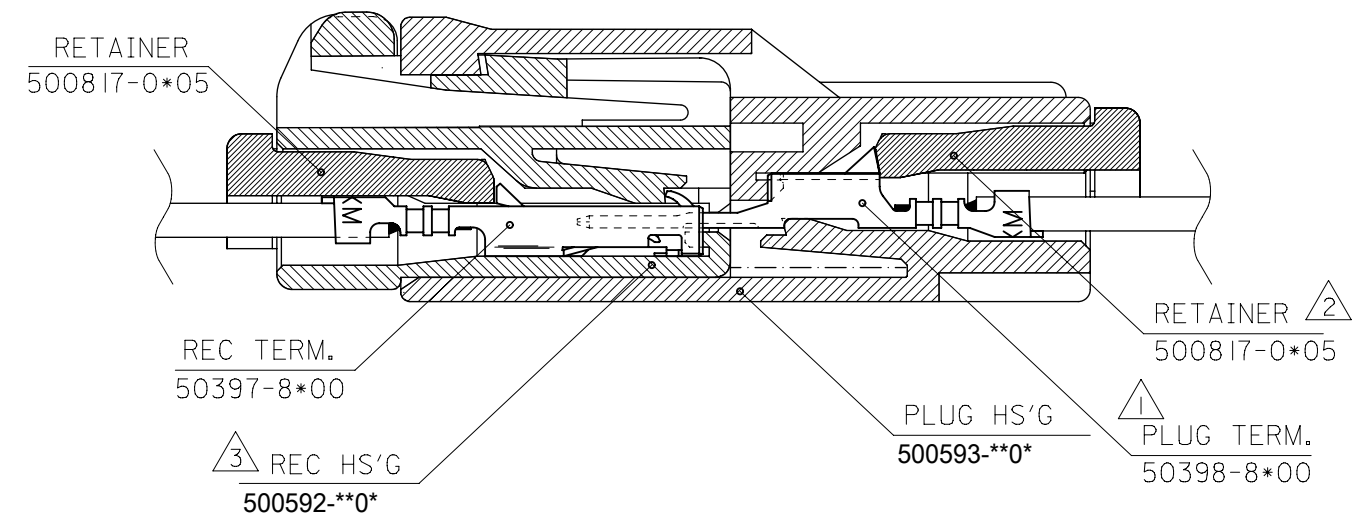
SHAPE OF
500593-050*



4極以下の極数レイアウト図
LAYOUT OF 2/3/4CKTS.



ターミナル装着状態図
TERMINAL ASSEMBLY DRAWING



注記
NOTES

- ① 適合ターミナル : 50398シリーズ
APPLICABLE TERMINAL : 50398 SERIES
- ② 適合リテーナー : 500817シリーズ
APPLICABLE RETAINER : 500817 SERIES
- ③ 嵌合相手 : 500592シリーズ
MATE WITH : 500592 SERIES
- 4. 材質 : PBT (UL94V-0)
MATERIAL : PBT(UL94V-0)

5. MATERIAL NO.は以下の内容を示す。
MATERIAL NO. : 500593-**0*

極数 CKT	色 COLOR
0	自然色 NATURAL
1	黒 BLACK
2	赤 RED
3	黄色 YELLOW
4	青 BLUE
6	緑 GREEN

FUNCTIONAL SYMBOLS		THIS DRAWING CONTAINS INFORMATION THAT IS PROPRIETARY TO MOLEX ELECTRONIC TECHNOLOGIES, LLC AND SHOULD NOT BE USED WITHOUT WRITTEN PERMISSION		500593-**0*		MODEL NO.	
▽A = 0	MM	SCALE	1:1	<div style="text-align: center; font-size: 2em; font-weight: bold;">molex</div> <p>2.5MM WIRE TO WIRE CONN. PLUG HOUSING</p> <p>PRODUCT CUSTOMER DRAWING</p>			
▽E = 0	GENERAL TOLERANCES (UNLESS SPECIFIED)						
▽F = 0	ANGULAR TOL ± 3.0°						
DIVISIONAL SYMBOLS		CURRENT REV DESC: OBSOLETE PART NUMBERS AS PER PCN#510807		EC NO: 726454		2022/10/20	
4 PLACES ± 0.2		DRWN: LIKITV		2022/11/30		3 PLACES ± 0.25	
2 PLACES ± 0.3		CHK'D: GGA		2022/11/30		1 PLACE ±	
1 PLACE ±		APPR: GGA		INITIAL REVISION:		DOCUMENT NUMBER	
0 PLACES ±		DRWN: U.MUMEDA		2005/04/07		SD-500593-001	
DRAFT WHERE APPLICABLE MUST REMAIN WITHIN DIMENSIONS		THIRD ANGLE PROJECTION		DRAWING		DOC TYPE DOC PART REVISION	
		A3-SIZE		SERIES		PSD 001 C1	
		500593		MATERIAL NUMBER		SHEET NUMBER	
		SEE CHART		CUSTOMER		1 OF 2	
		GENERAL MARKET					



500592-080*	500817-0805	6.75	17.5	23.1	8	— // —	— // —	— // —	500593-0800	500593-**0*
↙ -070*	↙ -0705	↙	15	20.6	7	— // —	— // —	— // —	↙ -0700	
↙ -060*	↙ -0605	↙	12.5	18.1	6	— // —	— // —	— // —	↙ -0600	
↙ -050*	↙ -0505		10	15.6	5	— // —	— // —	— // —	↙ -0500	
↙ -040*	↙ -0405	6.75	7.5	13.1	4	— // —	— // —	— // —	↙ -0400	
↙ -030*	↙ -0305	7.75	5	10.6	3	500593-0304	— // —	500593-0301	↙ -0300	
500592-020*	500817-0205	7.75	2.5	8.1	2	500593-0204	500593-0202	500593-0201	500593-0200	MODEL NO.
MATE WITH	CONFORTABLE-RETAINER	C	B	A	CKT.	BLUE	RED	BLACK	NATURAL	
MATERIAL NO.										

FUNCTIONAL SYMBOLS FA = 0 FE = 0 FE = 0	THIS DRAWING CONTAINS INFORMATION THAT IS PROPRIETARY TO MOLEX ELECTRONIC TECHNOLOGIES, LLC AND SHOULD NOT BE USED WITHOUT WRITTEN PERMISSION									
	DIMENSION UNITS	SCALE	CURRENT REV DESC: OBSOLETE PART NUMBERS AS PER PCN#510807							
	MM	3:1	molex 2.5MM WIRE TO WIRE CONN. PLUG HOUSING PRODUCT CUSTOMER DRAWING							
	GENERAL TOLERANCES (UNLESS SPECIFIED)									
DIVISIONAL SYMBOLS	ANGULAR TOL ± 3.0 °	4 PLACES ± 0.2	3 PLACES ± 0.25	2 PLACES ± 0.3	1 PLACE ±	0 PLACES ±	EC NO: 726454	DRWN: LIKITV	2022/10/20	
DRAFT WHERE APPLICABLE MUST REMAIN WITHIN DIMENSIONS		THIRD ANGLE PROJECTION	DRAWING	SERIES	MATERIAL NUMBER	CUSTOMER	DOCUMENT NUMBER	DOC TYPE	DOC PART	REVISION
			A3-SIZE	500593	SEE CHART	GENERAL MARKET	SD-500593-001	PSD	001	C1
										SHEET NUMBER 2 OF 2