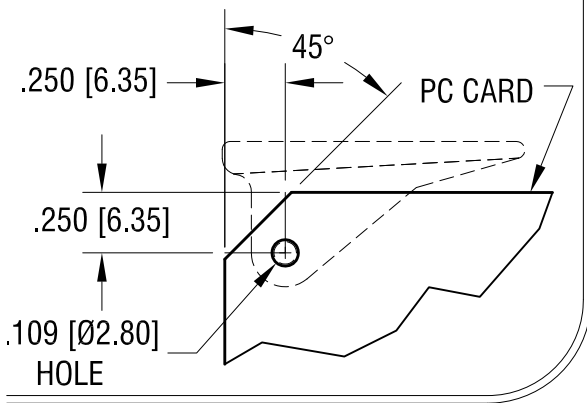
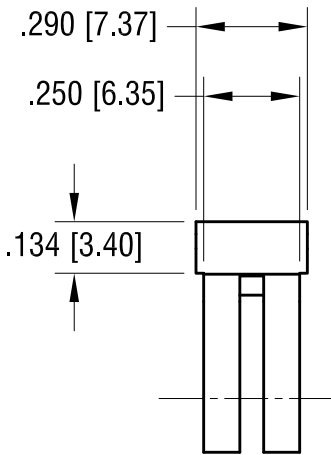
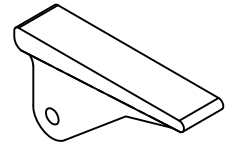


THIS DOCUMENT IS THE PROPERTY OF
KEYSTONE ELECTRONICS CORP. AND
SHALL NOT BE REPRODUCED, DISTRIBUTED
OR USED AS A BASIS FOR MANUFACTURE
WITHOUT PRIOR WRITTEN PERMISSION
FROM KEYSTONE ELECTRONICS CORP.

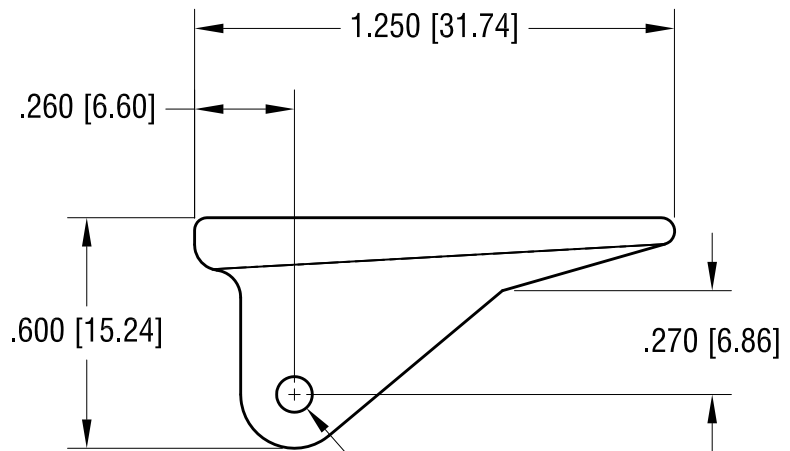
CARD MOUNTING DIMENSIONS



ACTUAL SIZE



SLOT DESIGNED FOR
.062 [1.57] THICK
PC BOARD



±.005 [±0.13]
Ø.093 [Ø2.36]
DIA. HOLE
SEE NOTE 1.

(A1)

5.05.14 CHANGE AS PER ECR 14-050
SPLIT C/M TO 'C' AND 'M'
DESIGN DID NOT CHANGED
(A1) WAS .093 [2.36] ±.005 [±0.15]

A
REV.

KEYSTONE ELECTRONICS CORP.			
www.keyelco.com • ASTORIA, N.Y. 11105-2017 • Tel (718) 956-8900			
PART NAME PC BOARD CARD EJECTOR			
MATERIAL WHITE NYLON 6/6 UL 94V-2			
FINISH -		DRN BY BOONE	DATE 2.7.06
		APP'D LN	SCALE 2X
TOLERANCES DECIMAL ANGULAR ± 1° UNLESS OTHERWISE SPECIFIED	INCH [MM] ±.010 [±0.25]	CODE C	DRW NO. 8643