

LAYOUT SHOWN AS EXAMPLE

Keying Shown as example

CHARACTERISTICS

- Standard : Based on MIL-DTL-38999 Series III
- Shell Material : Aluminium
- Shell Plating : Black Zinc Nickel
- Insulator : Thermoplastic
- Contacts : Copper Alloy
- Seals & Grommet : Silicon Elastomer
- Contact Plating : Gold over copper Alloy 0.8µm minimum
- Durability : 500 Mating cycles
- Delivered with Souriau contacts and Accessories
- Temperature Range : -65°C to +175°C
- Salt Spray : 500 hours
- Mass : 12.01 g ± 10%

| Connector dimension | |
|---------------------|---------------|
| Dim | Nominal |
| P | 3.25±0.2 |
| PP | 4.93±0.2 |
| R1 | 20.62 |
| R2 | 18.26 |
| S | 26.2±0.3 |
| V | 20.83+0/-1.25 |
| W | 2.1/2.5 |
| Z | 31.5 Max |
| VV THREAD | M15x1-6g |

SOURIAU shall not be liable for any non-conformity or damage due to a use of the Products which does not comply with the Specifications issued by either of the Parties or by a third party (professional recommendation, technical notice.)

| | |
|---------|-----------------------------|
| Country | Jurisdiction & Control List |
| FR | Not Listed |

PN: 8D011Z01AE

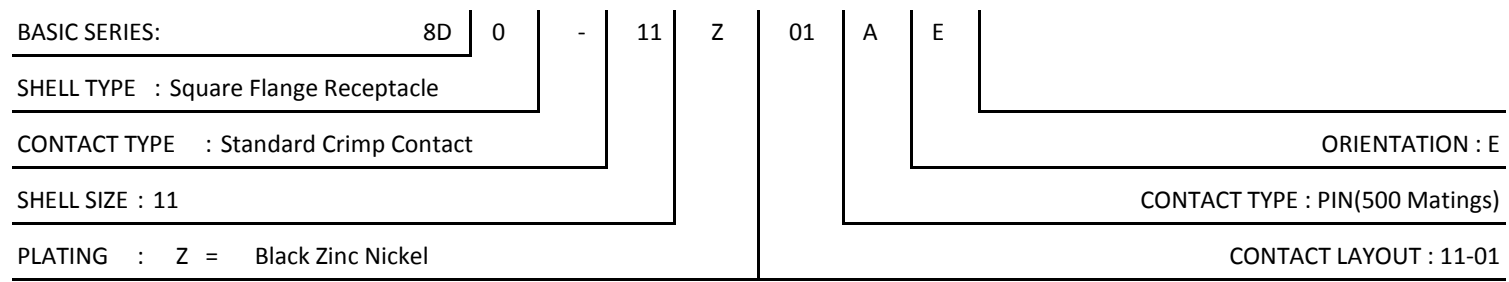
| | | | |
|--------------|------------|--------------------------|-------------------------|
| A | 08-10-2016 | First Release | |
| ISS | DATE | Latest modification - by | MOD N° |
| Designed By: | | Date: | CUSTOMER DRAWING |

TITLE Aluminium Receptacle 8D series

| | | | |
|-------|--|----------------------------|-----------------|
| SCALE | | General linear Tolerances: | NPRDS / PROJECT |
| NA | | ±-- | 859 |

SOURIAU WWW.SOURIAU.COM This document is the property of SOURIAU it must not be reproduced or communicated without permission

| | | | |
|-----------|------------------------------------|--|------------|
| FORMAT | SOURIAU DRG N° 8D011Z01AE-C | | SHEET |
| A3 | | | 1/2 |



4
3
2
1

4
3
2
1

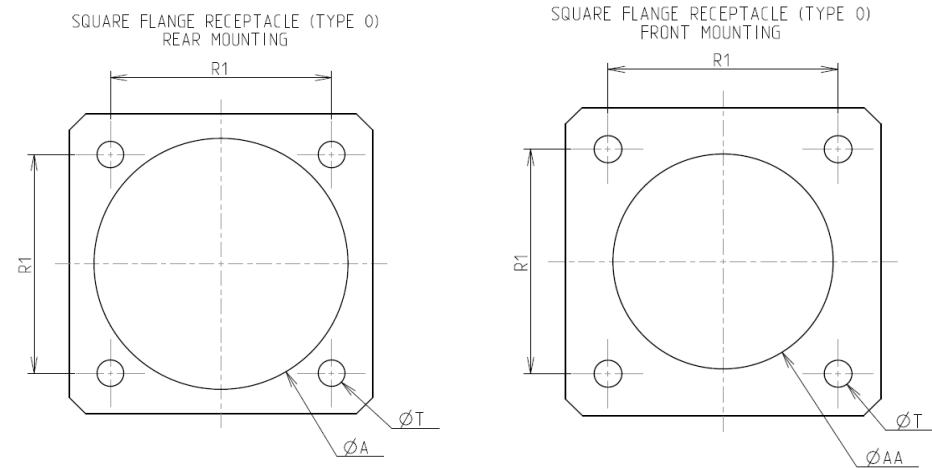
Contact Layout



1#12

| | | |
|-------|---|---|
| 11-01 | | |
| Ctc | X | Y |
| A | 0 | 0 |

Panel Cutout



| Dim | Nominal |
|-----|------------|
| ØA | 20.22 min |
| ØAA | 15.88 min |
| R1 | 20.62 |
| ØT | 3.25 ±0.13 |

SOURIAU shall not be liable for any non-conformity or damage due to a use of the Products which does not comply with the Specifications issued by either of the Parties or by a third party (professional recommendation, technical notice.)

| Country | Jurisdiction & Control List |
|---------|-----------------------------|
| FR | Not Listed |

PN: 8D011Z01AE

| | | | |
|----------------|------------------------------------|----------------------------|---|
| A | 08-10-2016 | First Release | |
| ISS | DATE | Latest modification - by | MOD N° |
| Designed By: | | Date: | CUSTOMER DRAWING |
| TITLE | Aluminium Receptacle 8D series | | |
| SCALE | | General linear Tolerances: | NPRDS / PROJECT |
| NA | | ±-- | 859 |
| SOURIAU | WWW.SOURIAU.COM | | This document is the property of SOURIAU it must not be reproduced or communicated without permission |
| FORMAT | SOURIAU DRG N° 8D011Z01AE-C | | SHEET 2/2 |