

4

3

2

1

© 2020 TE Connectivity. All Rights Reserved.

REVISIONS

P	LTR	DESCRIPTION	DATE	DWN	APVD
	A	INITIAL RELEASE	20JUN2020	J.S	I.Y
	A1	ECR-20-010349	26JUL2020	J.G	I.Y
	A2	ECN-21-113425	17AUG2021	J.G	Z.Z

12CCT RECEPTACLE CONNECTOR

DATE CODE: X XX XX  
 X- DAY: 1- 7  
 XX- WEEK: 01 - 52  
 XX- YEAR: 00 - 99  
 # MACHINE NO. 1

EXAMPLE: 11315 = DAY 1, WEEK 13, YEAR 15  
 i.e. 23rd OF MARCH 2015

DETAIL A  
 SCALE 2:1

12CCT RECEPTACLE CONNECTOR WITH HEATSHRINK HOUSING ULTRASONICALLY WELDED IN PLACE

1. THIS RECEP MATES WITH PLUG ASSEMBLY PN X-2600043-X, WEDGE LOCK PN W12P.

2. MATERIAL  
 HOUSING: NYLON GF30  
 BACK SEAL: SILICONE RUBBER  
 BACK COVER: NYLON GF30, BLACK  
 HEATSHRINK HOUSING: NYLON GF30, BLACK

3. CIRCUIT IDENTIFICATION

4. JACKET RANGE LARGE =  $\varnothing$ 2.23mm TO 3.68mm (SEAL COLOUR: LIGHT BLUE)  
 JACKET RANGE SMALL =  $\varnothing$ 1.20mm TO 3.05mm (SEAL COLOUR: BURNT ORANGE)

5. SEE SHEET 3 FOR FINAL PART NUMBER DESIGNATION

THIS DRAWING IS A CONTROLLED DOCUMENT.

DWN J.Shang 20JUN2020

CHK E.Jiang 20JUN2020

APVD I.Yin 20JUN2020

PRODUCT SPEC

108-160026

APPLICATION SPEC

114-160017

WEIGHT -

CUSTOMER DRAWING

NAME 12CCT DT-XT RECEPTACLE CONNECTOR

SIZE A3 CAGE CODE 00779 DRAWING NO. C-2600042 RESTRICTED TO -

SCALE 1:1 SHEET 1 OF 3 REV A2

DIMENSIONS:

mm

TOLERANCES UNLESS OTHERWISE SPECIFIED:

0 PLC ±

1 PLC ±

2 PLC ±

3 PLC ±

4 PLC ±

ANGLES ±

FINISH -

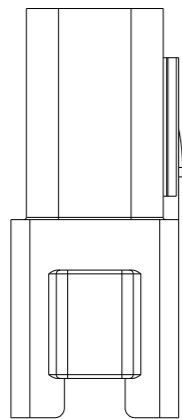
TE Connectivity

1470-19 (3/13)

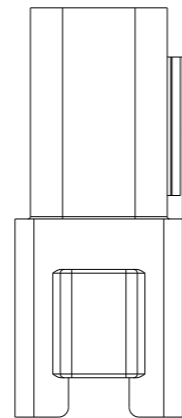
REVISIONS

P	LTR	DESCRIPTION	DATE	DWN	APVD
		SEE SHEET 1			

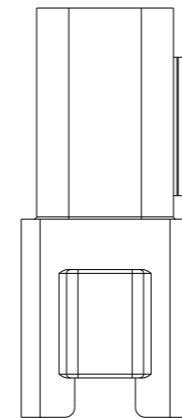
KEYING OPTION A



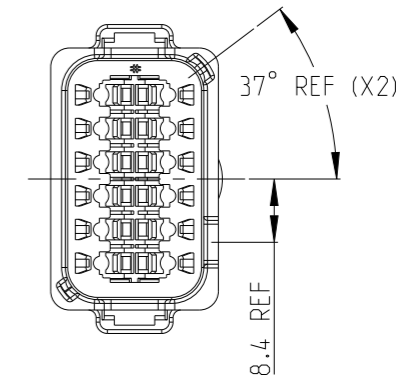
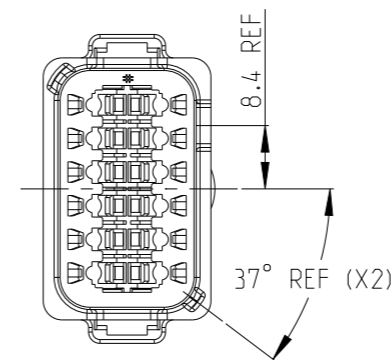
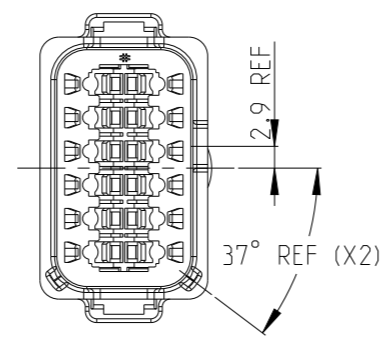
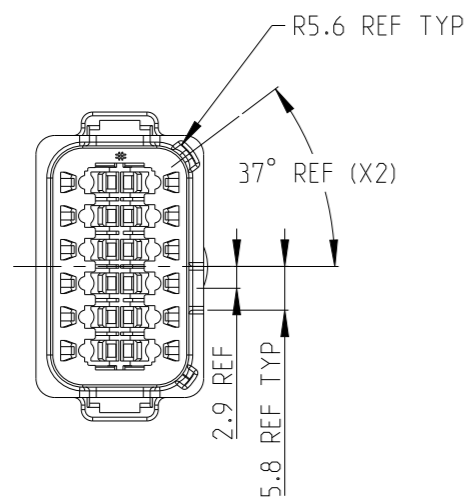
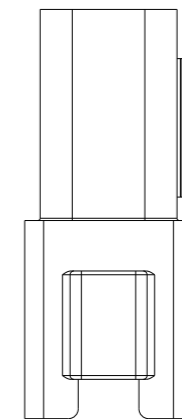
KEYING OPTION B


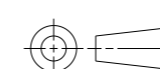


KEYING OPTION C



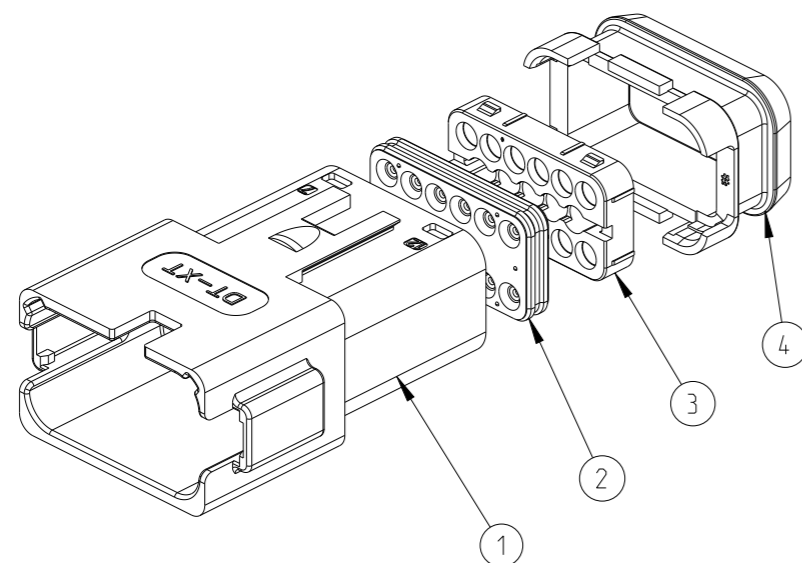
KEYING OPTION D



THIS DRAWING IS A CONTROLLED DOCUMENT.		DWN J. Shang 20JUN2020	 TE Connectivity													
DIMENSIONS: mm		CHK E. Jiang 20JUN2020														
		APVD L. Yin 20JUN2020														
TOLERANCES UNLESS OTHERWISE SPECIFIED:		PRODUCT SPEC 108-160026														
<table border="0"> <tr><td>0 PLC</td><td>±</td></tr> <tr><td>1 PLC</td><td>±</td></tr> <tr><td>2 PLC</td><td>±</td></tr> <tr><td>3 PLC</td><td>±</td></tr> <tr><td>4 PLC</td><td>±</td></tr> <tr><td>ANGLES</td><td>±</td></tr> </table>		0 PLC	±	1 PLC	±	2 PLC	±	3 PLC	±	4 PLC	±	ANGLES	±	APPLICATION SPEC 114-160017	NAME 12CCT DT-XT RECEPTACLE CONNECTOR	RESTRICTED TO
0 PLC	±															
1 PLC	±															
2 PLC	±															
3 PLC	±															
4 PLC	±															
ANGLES	±															
MATERIAL		WEIGHT	SIZE A3	CAGE CODE 00779	DRAWING NO C-2600042	SCALE 1:1	SHEET 2 OF 3	REV A2								
		CUSTOMER DRAWING														

REVISIONS

P	LTR	DESCRIPTION	DATE	DWN	APVD
		SEE SHEET 1			



2- -0	934446647	-	21.48	-	-	-	-	1	-	1	1	1	
1- -9	934446633	-	21.48	-	-	-	1	-	-	1	1	1	
1- -8	934446621	-	21.48	-	-	1	-	-	-	1	1	1	
1- -7	934446611	-	21.48	-	1	-	-	-	-	1	1	1	
1- -6	934446612	-	21.48	-	-	-	-	-	-	1	1	1	
1- -5	934446547	-	21.48	-	-	-	-	1	1	-	1	1	
1- -4	934446533	-	21.48	-	-	-	1	-	1	-	1	1	
1- -3	934446521	-	21.48	-	-	1	-	-	1	-	1	1	
1- -2	934446511	-	21.48	-	1	-	-	-	1	-	1	1	
1- -1	934446512	-	21.48	-	1	-	-	-	1	-	1	1	
1- -0	934446247	-	18.53	-	-	-	-	1	-	1	1	-	
-9	934446233	-	18.53	-	-	-	1	-	-	1	1	-	
-8	934446221	-	18.53	-	-	1	-	-	-	1	1	-	
-7	934446211	-	18.53	-	-	1	-	-	-	1	1	-	
-6	934446212	-	18.53	-	-	-	-	-	-	1	1	-	
-5	934446147	-	18.53	-	-	-	-	1	1	-	1	-	
-4	934446133	-	18.53	-	-	-	1	-	1	-	1	-	
-3	934446121	-	18.53	-	-	1	-	-	1	-	1	-	
-2	934446111	-	18.53	-	-	1	-	-	1	-	1	-	
-1	934446112	-	18.53	-	-	-	-	-	1	-	1	-	
TE PN	ALIAS PN	REVISION OF EACH ASSY NO.	WEIGHT OF EACH ASSY(g)	KEYING	A	A	B	C	D	-	-	-	-
				COLOR	GERY	BLACK	BLACK	GREEN	BROWN	BURNT ORANGE	LIGHT BLUE	BLACK	BLACK
				MATERIAL	NYLON GF30	NYLON GF30	NYLON GF30	NYLON GF30	NYLON GF30	SILICONE RUBBER	SILICONE RUBBER	NYLON GF30	NYLON GF30
				DESCRIPT ION	RECEPTACLE HOUSING				BACK SEAL SMALL	BACK SEAL LARGE	BACK COVER	HEATSHRINK HOUSING	
				ITEM NO	1				2		3	4	

THIS DRAWING IS A CONTROLLED DOCUMENT.

DWN J.Shang 20JUN2020  
 CHK E.Jiang 20JUN2020  
 APVD L.Yin 20JUN2020

PRODUCT SPEC 108-160026  
 APPLICATION SPEC 114-160017  
 WEIGHT -

**TE** TE Connectivity

NAME 12CCT DT-XT RECEPTACLE CONNECTOR

SIZE A3 CAGE CODE 00779 DRAWING NO C-2600042 RESTRICTED TO -

CUSTOMER DRAWING SCALE 1:1 SHEET 3 OF 3 REV A2

DIMENSIONS:	TOLERANCES UNLESS OTHERWISE SPECIFIED:
mm	
	0 PLC ±
	1 PLC ±
	2 PLC ±
	3 PLC ±
	4 PLC ±
	ANGLES ±
MATERIAL	FINISH
-	-
-	-